



Unisex Pajama Pattern

This Unisex Pajama Pattern is part of a new storyboard that I will be sharing with you called "Feelings". It's made up of clothes that either match or improve your state-of-mind. The pajama pattern is the first of the series and in which we will be focusing on comfort and warmth. This is Part 1 of the pajamas where we make the top and there will be a subsequent Part 2 where we will make the pajama bottoms to match.

I decided on this design because it seems like it's cold everywhere (even in Singapore if you can believe it). It'll be 23 °C (73.4°F) tonight, so I will be leaving the windows and doors wide open :) . Everyone, including my daughter, seems to be getting the flu so why not make things more comfortable with a new pair of PJs?

The key to this pattern is the fabric you choose to use. Use silk for a luxurious feeling, flannel for winter comfort, or cotton for a Sunday morning breakfast. I've provided examples of each of these in the fabric recommendations below.

Another important detail will be the piping on this unisex pajama pattern. Therefore, I would push this project up to the Intermediate Level of difficulty. If you are a beginner sewist and still want to make these pajamas, avoid working with the piping and make sure you own a serger. You may want to wait for

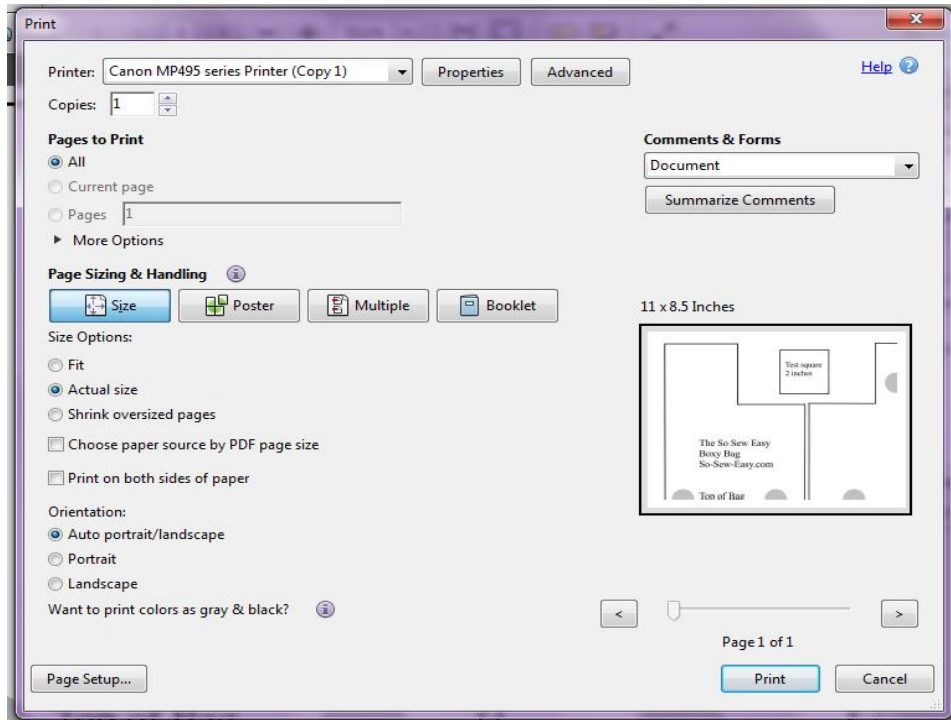
the video to come out to help complete this project. But, by all means, go ahead and push yourself if you want a challenge. I would never discourage anyone from trying and pushing out of your comfort zone.

You can read more about this pattern over at So Sew Easy [HERE](http://so-sew-easy.com).

Find more great sewing patterns at So Sew Easy – <http://so-sew-easy.com>



To print your PDF pattern



Your pattern pieces come at the end of these instructions. For accurate printing, please make sure you are using the latest version of Adobe Reader. You can [download the latest version here](#) if you need to.

Select File → Print and the print dialogue box opens. Under Page Sizing and Handling, select ACTUAL SIZE . Check the preview in the right hand side illustration. Select the page numbers you want to print. You can print the whole document, or just the pattern pieces.

On the edge of the top left page is a box you can use to test your printing. This box should measure 2 inches square. If yours is wildly different you will need to check your printer options to make sure the pages are not being resized.

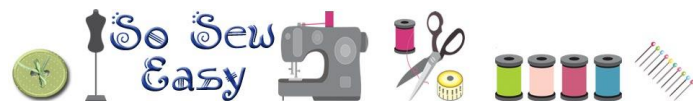
Use the grey guides on the overlap of the sheets to match up the pattern pieces, folding under or cutting off any overlaps, tape together and cut out your pattern pieces.

Help printing and assembling your pattern

You can find helpful tutorials on how to download, print and assemble PDF sewing patterns here:

[How to download and print a PDF sewing pattern](#)

[How to print and assemble a PDF sewing pattern](#)



Find more great sewing patterns at So Sew Easy – <http://so-sew-easy.com>

Materials:

- 2 1/4 yards to 3 yards of crepe de chine, cotton batiste or cotton flannel
- Piping
- Thread to match
- 4 cover buttons or normal buttons of 18mm diameter
- 1 yard of thin fusible interfacing

Tools:

- Scissors
- Pins
- Iron
- Measuring tape
- Sewing machine
- Pressing cloth



Find more great sewing patterns at So Sew Easy – <http://so-sew-easy.com>

Thank you for downloading this pattern and tutorial. I hope you enjoyed making this project and remember that I love to see what you made so do upload your completed projects to the pattern page on Craftsby.

Keep up with all the latest news and sewing projects at [So Sew Easy](#).

We also have a really great sewing chat group where you can ask questions, share your completed projects, and get 24 hr sewing inspiration. It's not just for So Sew Easy projects – you can chat about all sewing there, whether a newbie just starting out, or an advanced and experienced sewer, there's something for everyone in the sewing chat group. Join us here.

[SEWING CHAT GROUP](#)

For the latest list of both free and paid patterns available, pop on over to [my designer page at Craftsby](#).

This pattern graphic, the photos and the instructions are copyright So Sew Easy Pte Ltd and protected by law. All rights reserved. Please do not copy, publish, sell, redistribute or alter them in any way. Please don't print and give to your friends, or send it to anyone by email. Please do not rebrand this work as your own and sell or give it away, even if altered. This is intended for your personal use. If you would like to recommend these instructions, please pass on the original download link at So-Sew-Easy.com. Thank you for your understanding.

Usage – you ARE allowed to use this pattern to make things to sell on a small handmade basis, such as for craft fairs and for your Etsy shop. However it may not be used for larger scale commercial purposes without a commercial license.

Find more great sewing patterns at So Sew Easy – <http://so-sew-easy.com>



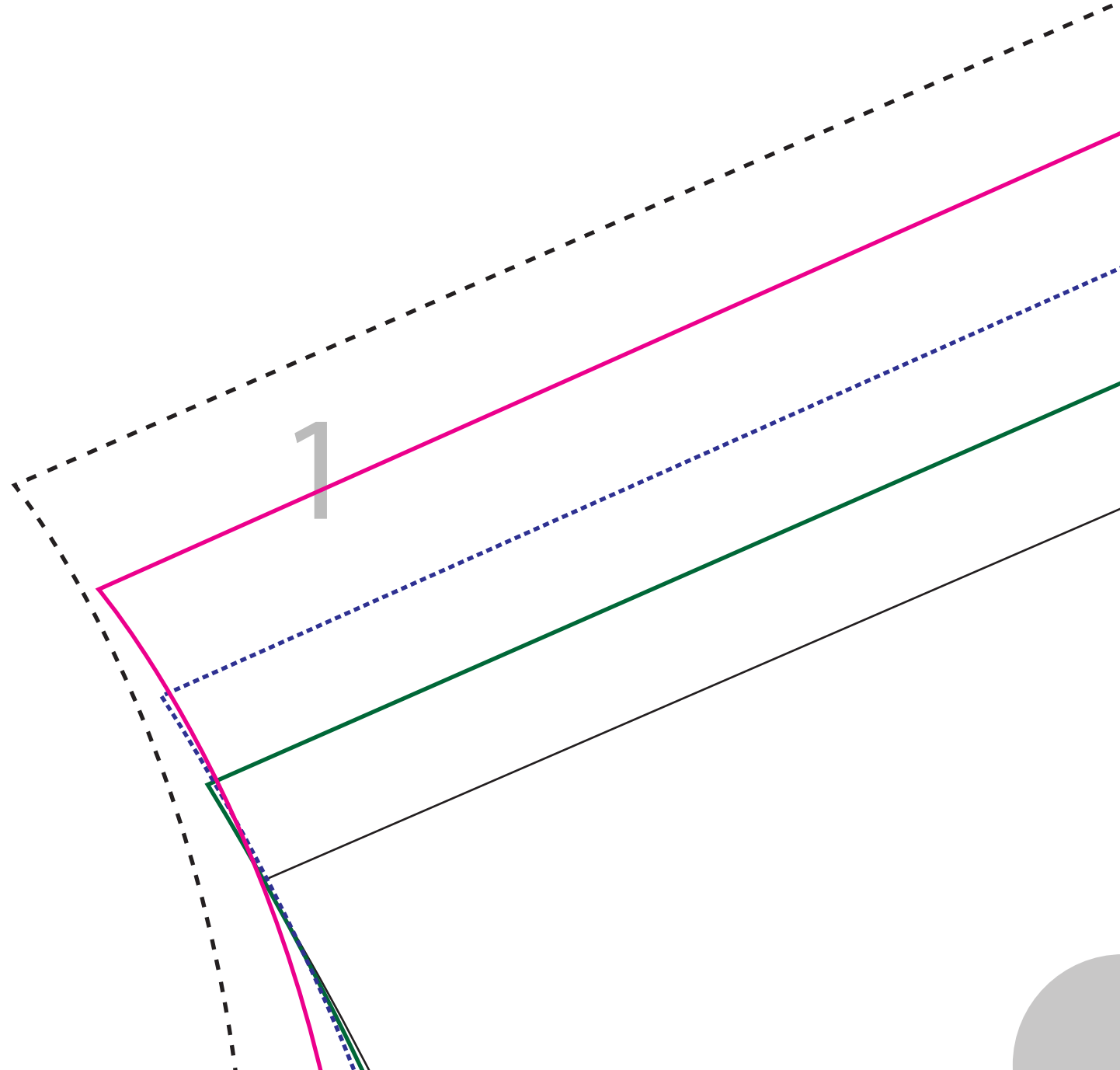
Unisex Pajama Top

2" X 2"

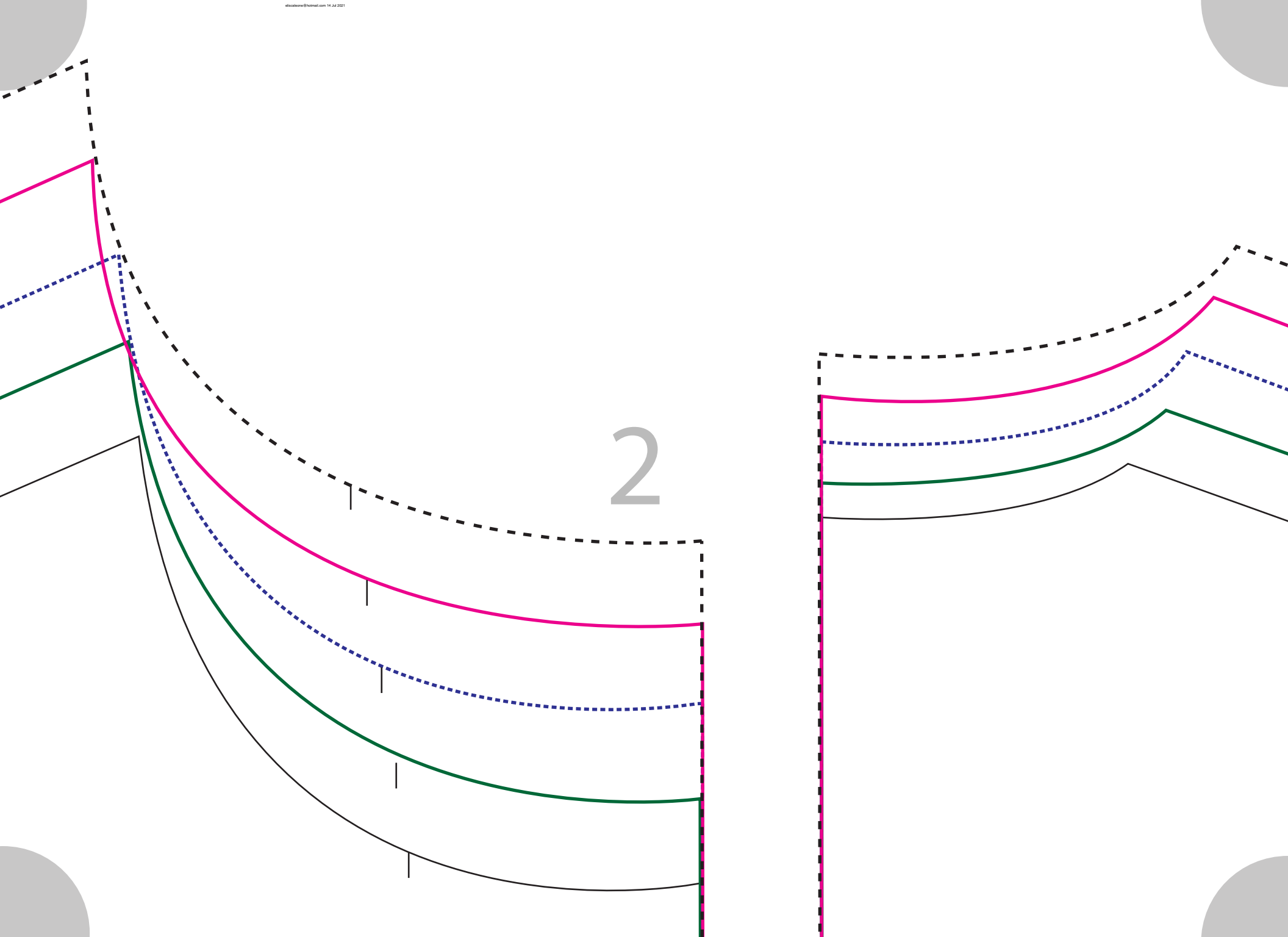
Square Test

So-Sew-Easy.com

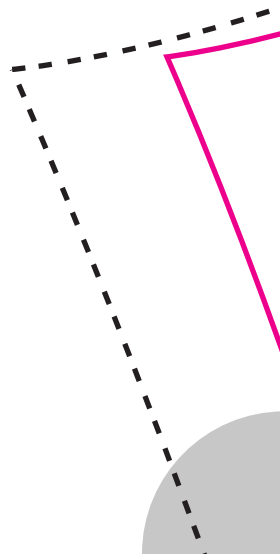
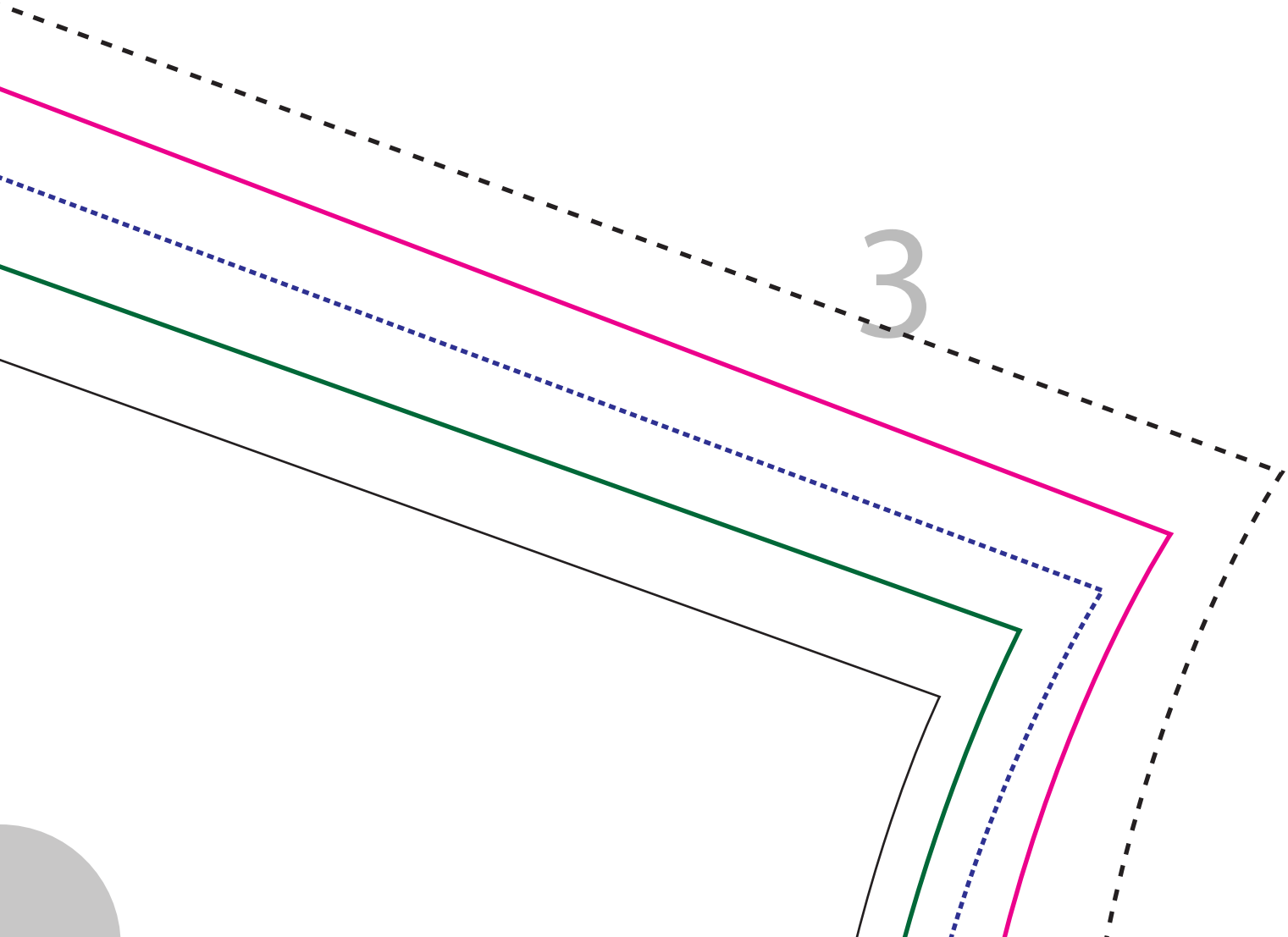
Copyright Rights 2018

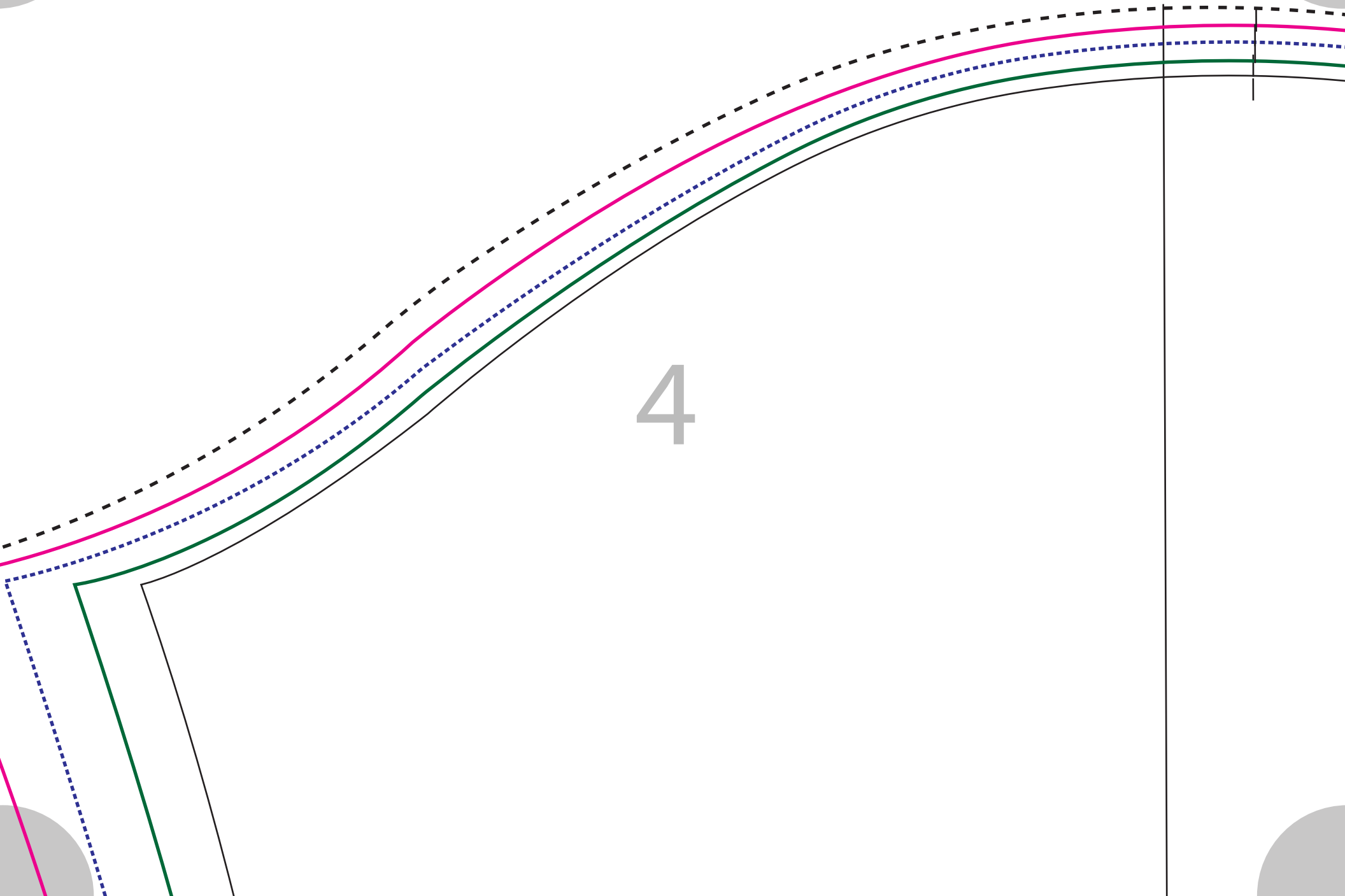


2

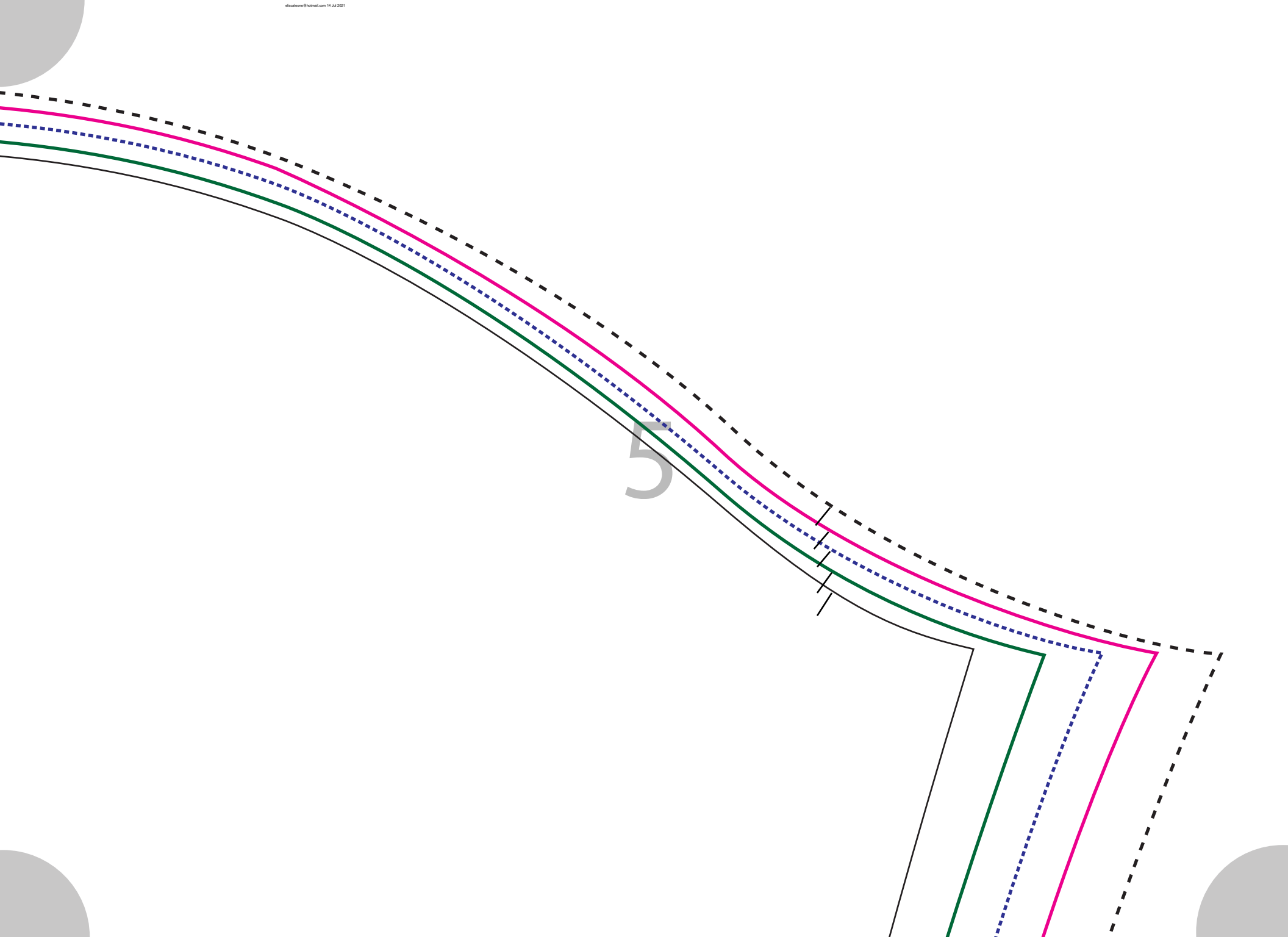


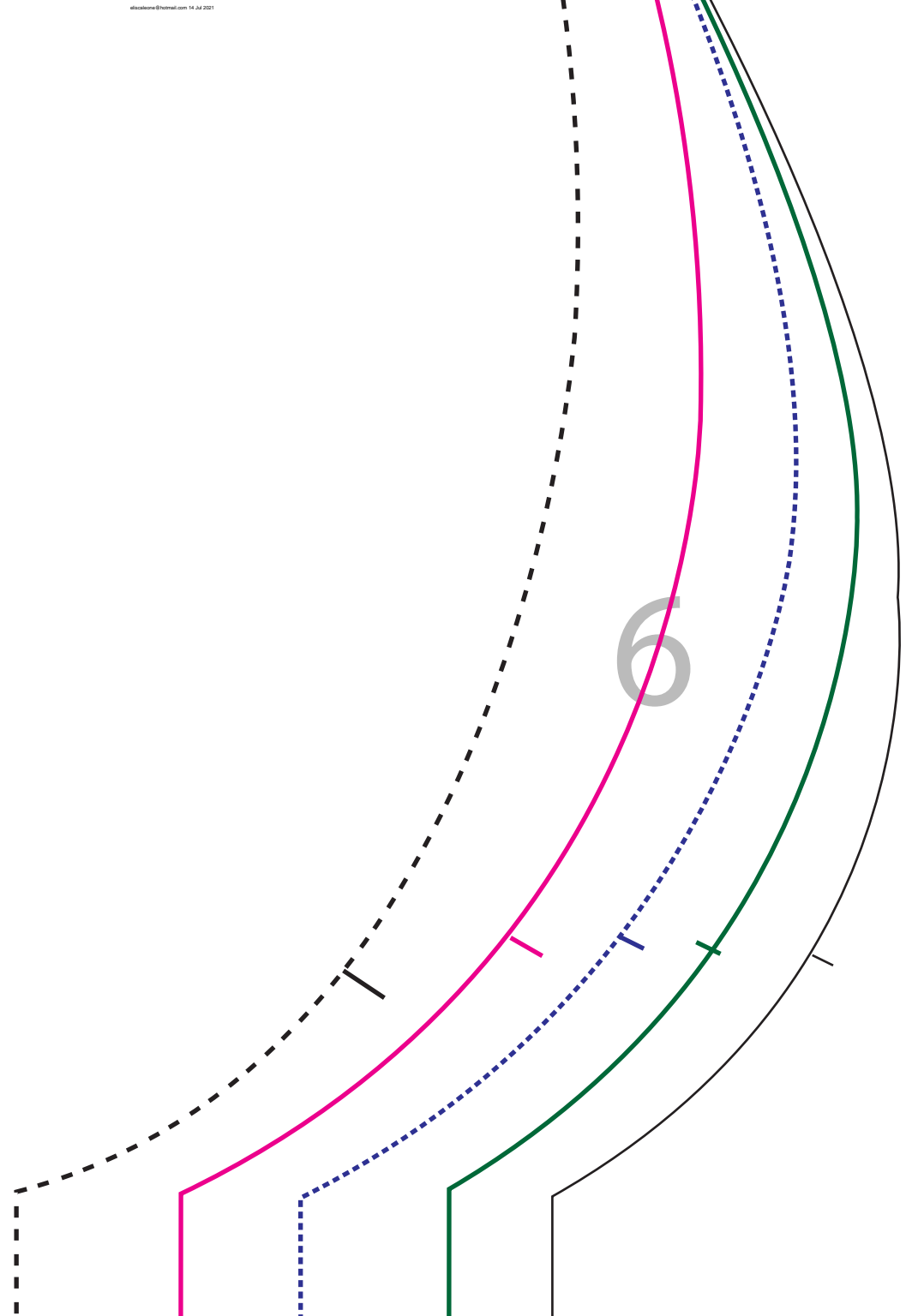
3





4

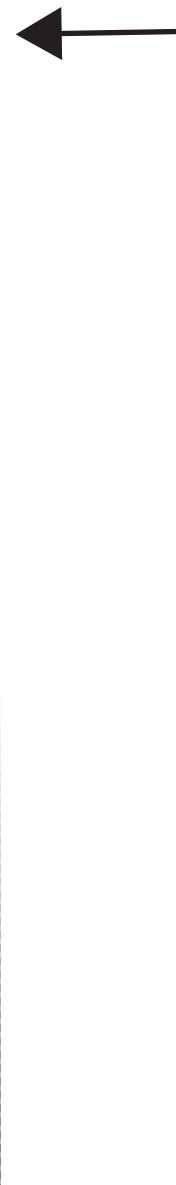




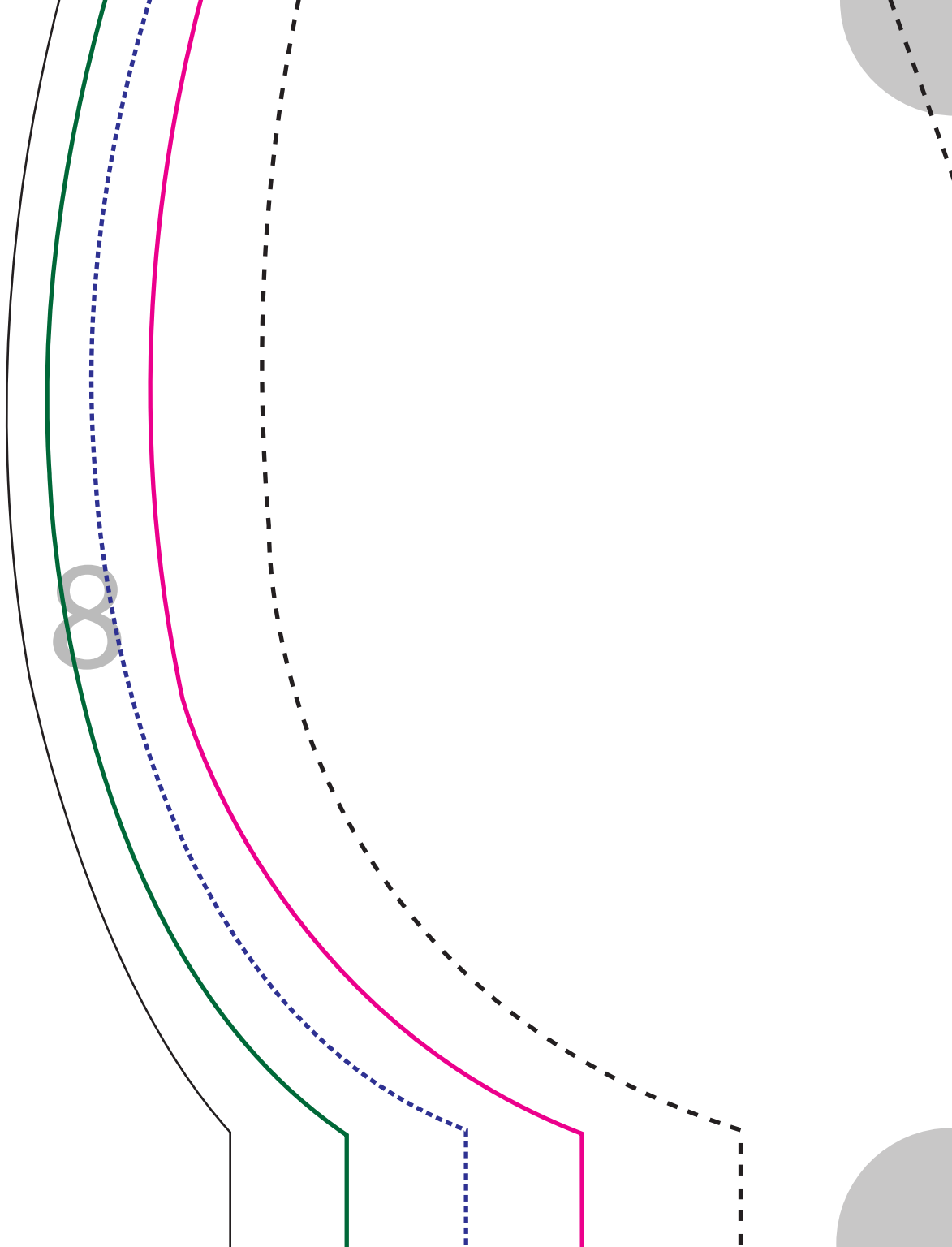
Front
Cut Two
So-Sew-Easy.com

7

Back
Cut One on F
So-Sew-Easy



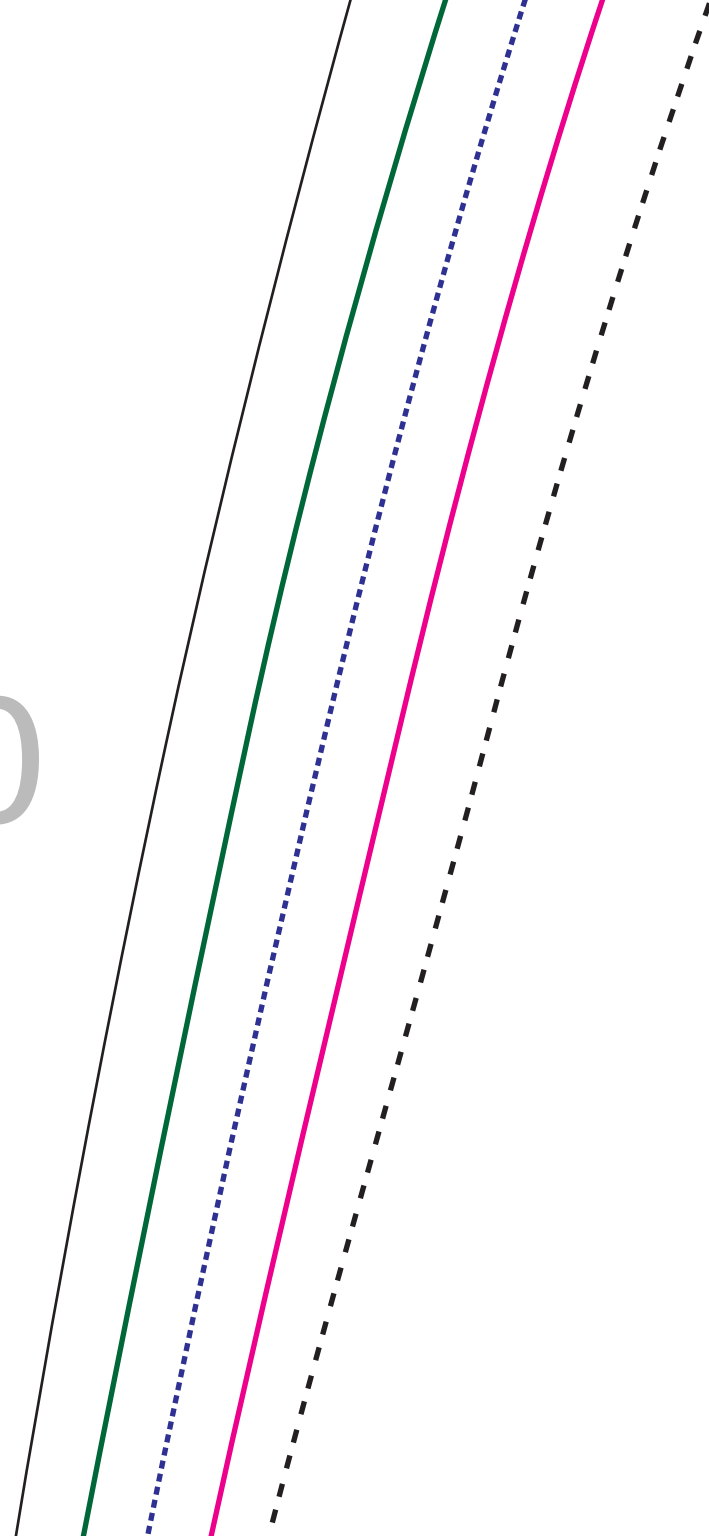
Fold
.com



Sleeves
Cut Two
So-Sew-Easy.com

9

10



1 1

Suggested pocket placement



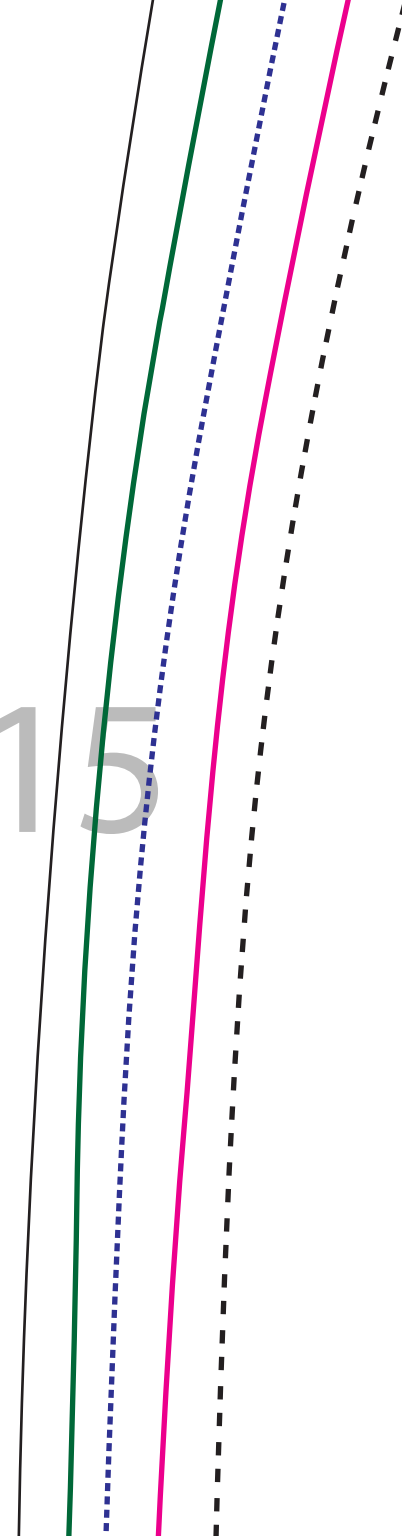
12

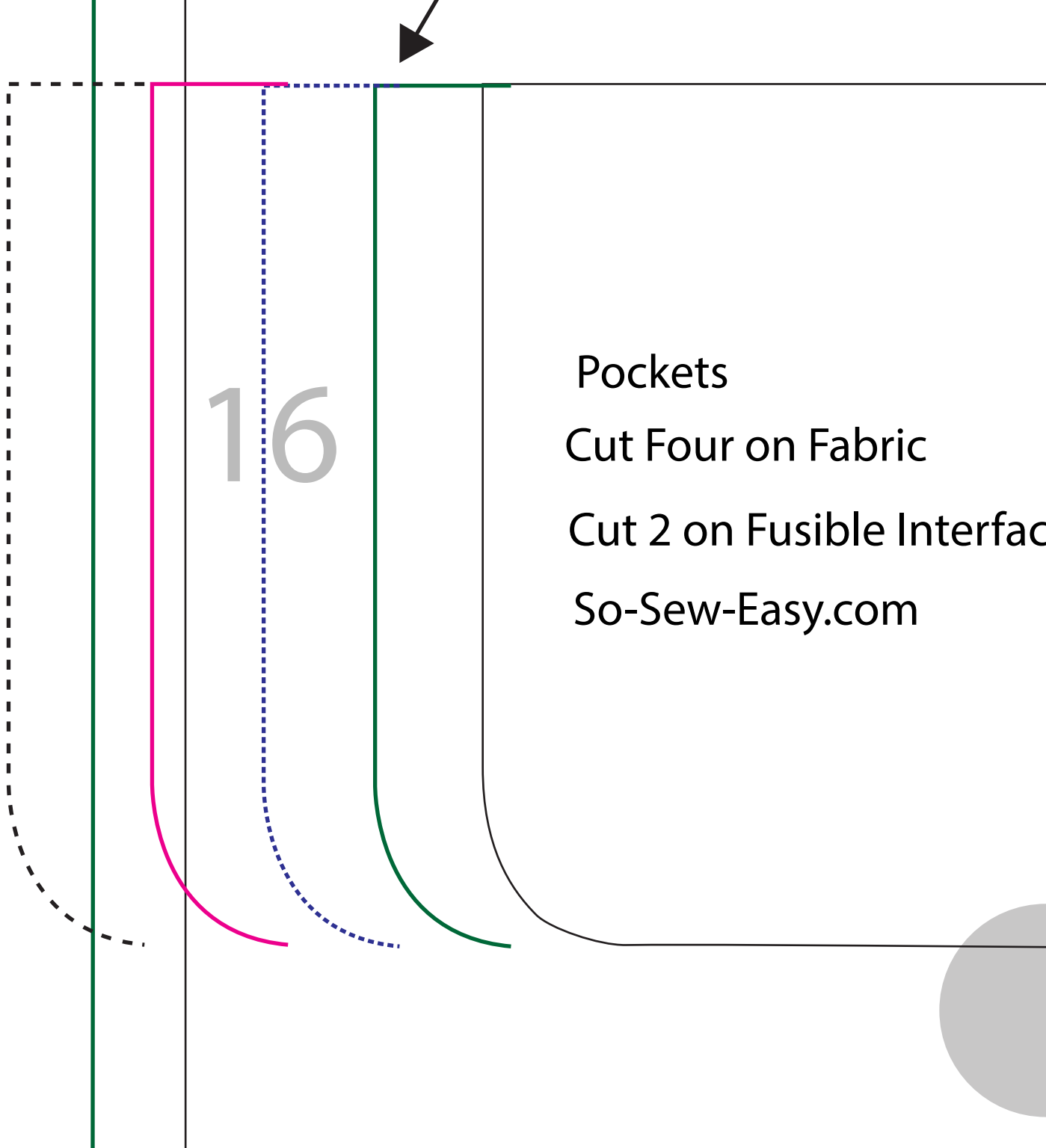
- _____ Small
- _____ Medium
- _____ Large
- _____ XL
- _____ 2XL

All instructions are found on our site@
<https://so-sew-easy.com/>

14

15





16

Pockets

Cut Four on Fabric

Cut 2 on Fusible Interfac

So-Sew-Easy.com

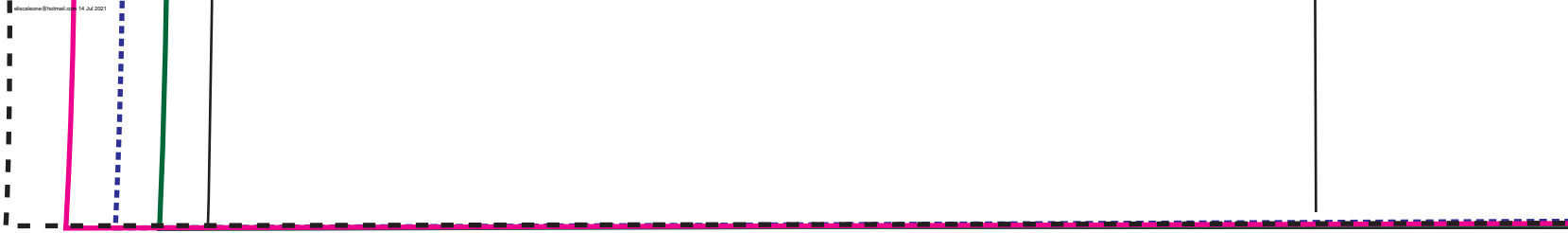
ing



17



18



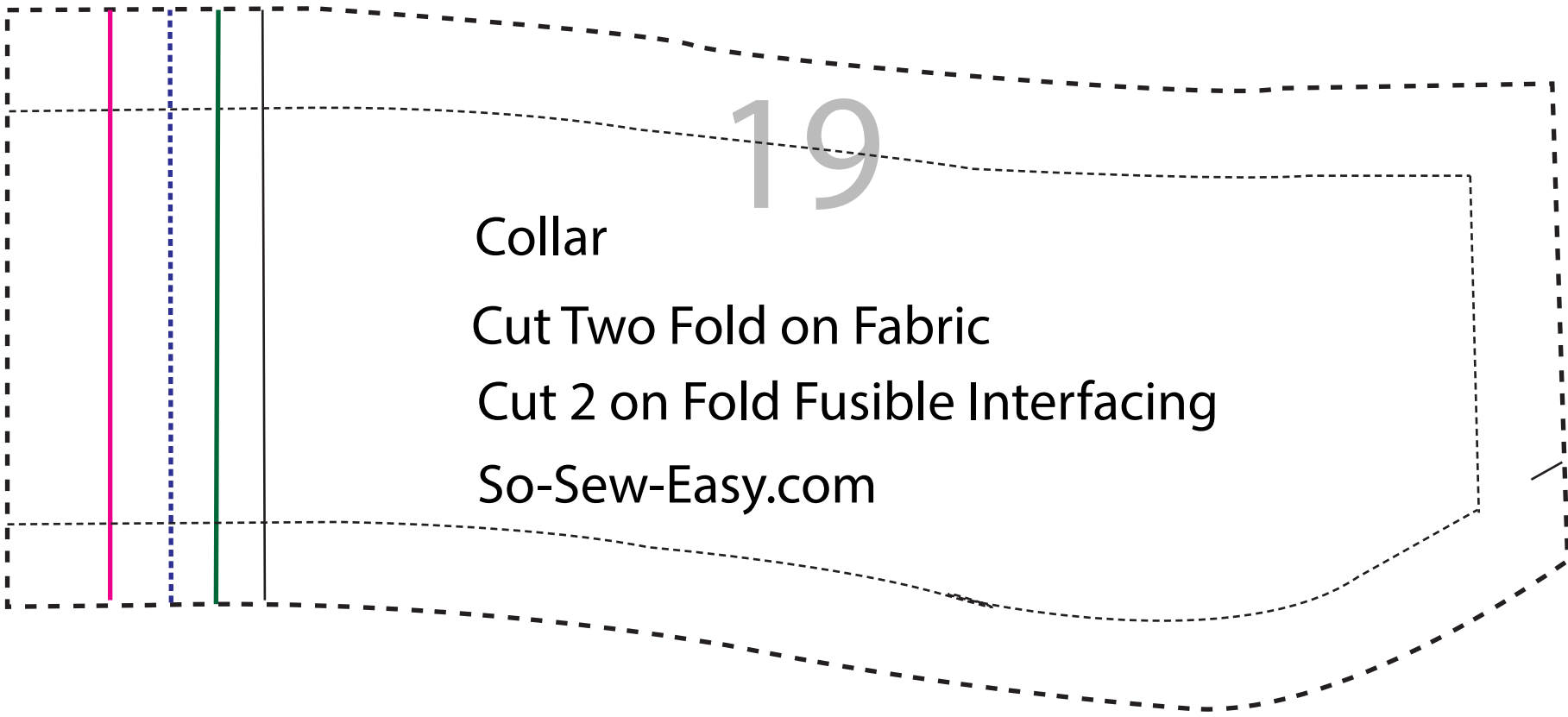
19

Collar

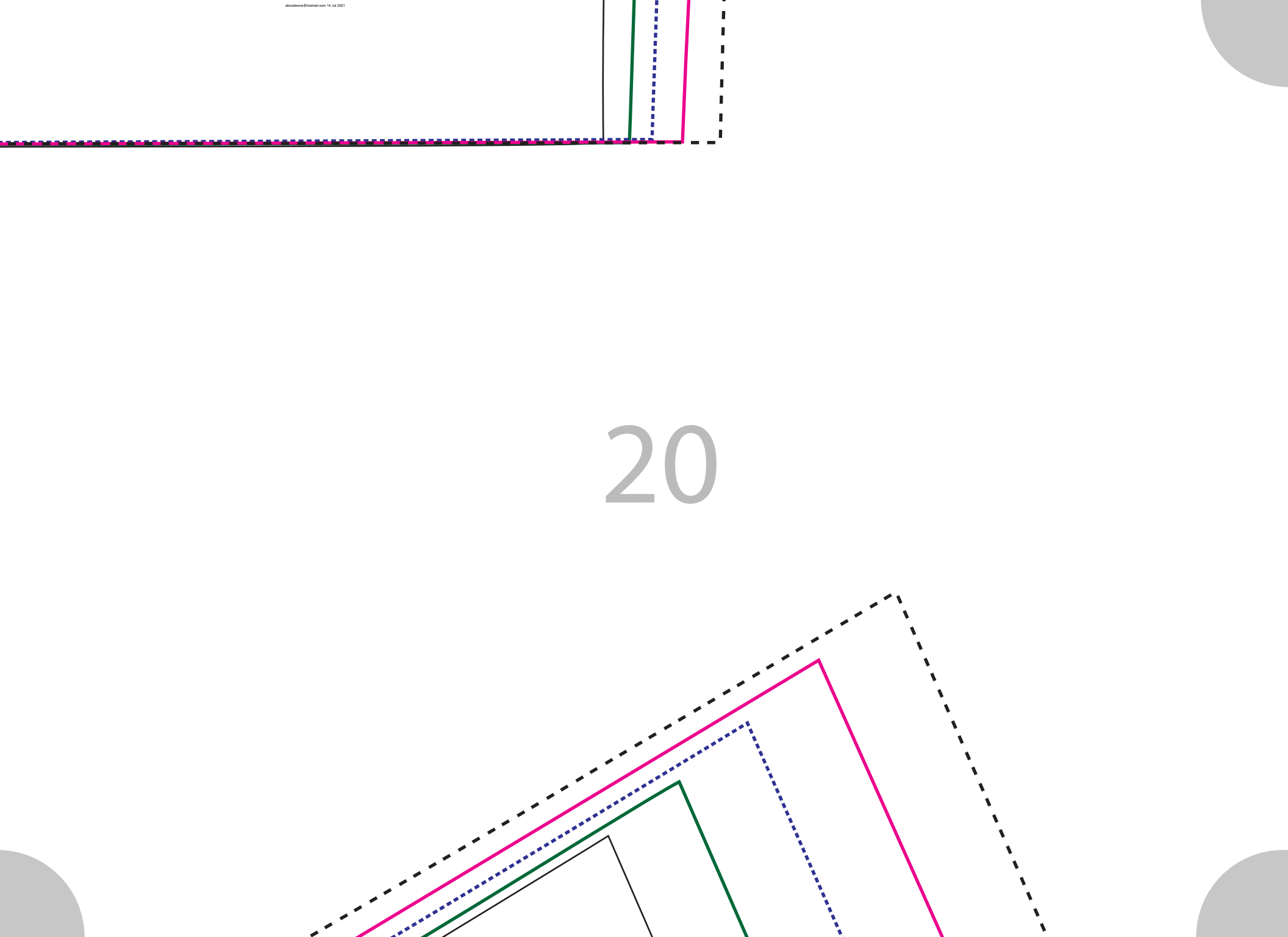
Cut Two Fold on Fabric

Cut 2 on Fold Fusible Interfacing

So-Sew-Easy.com

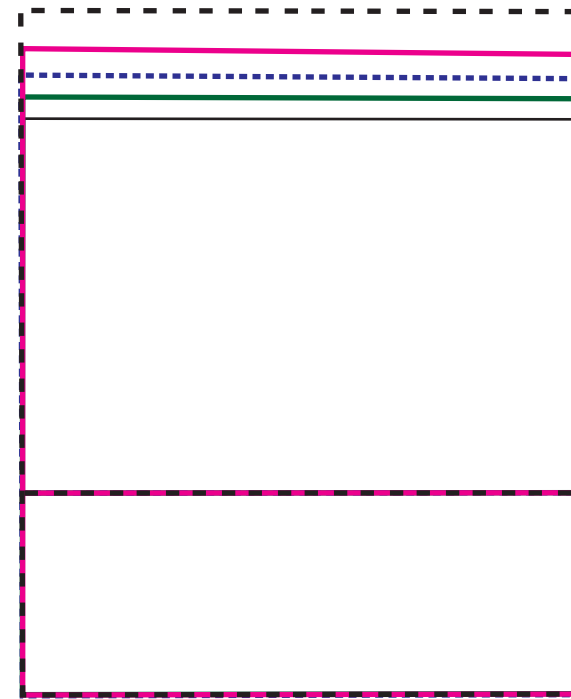


20



21

22



23



24

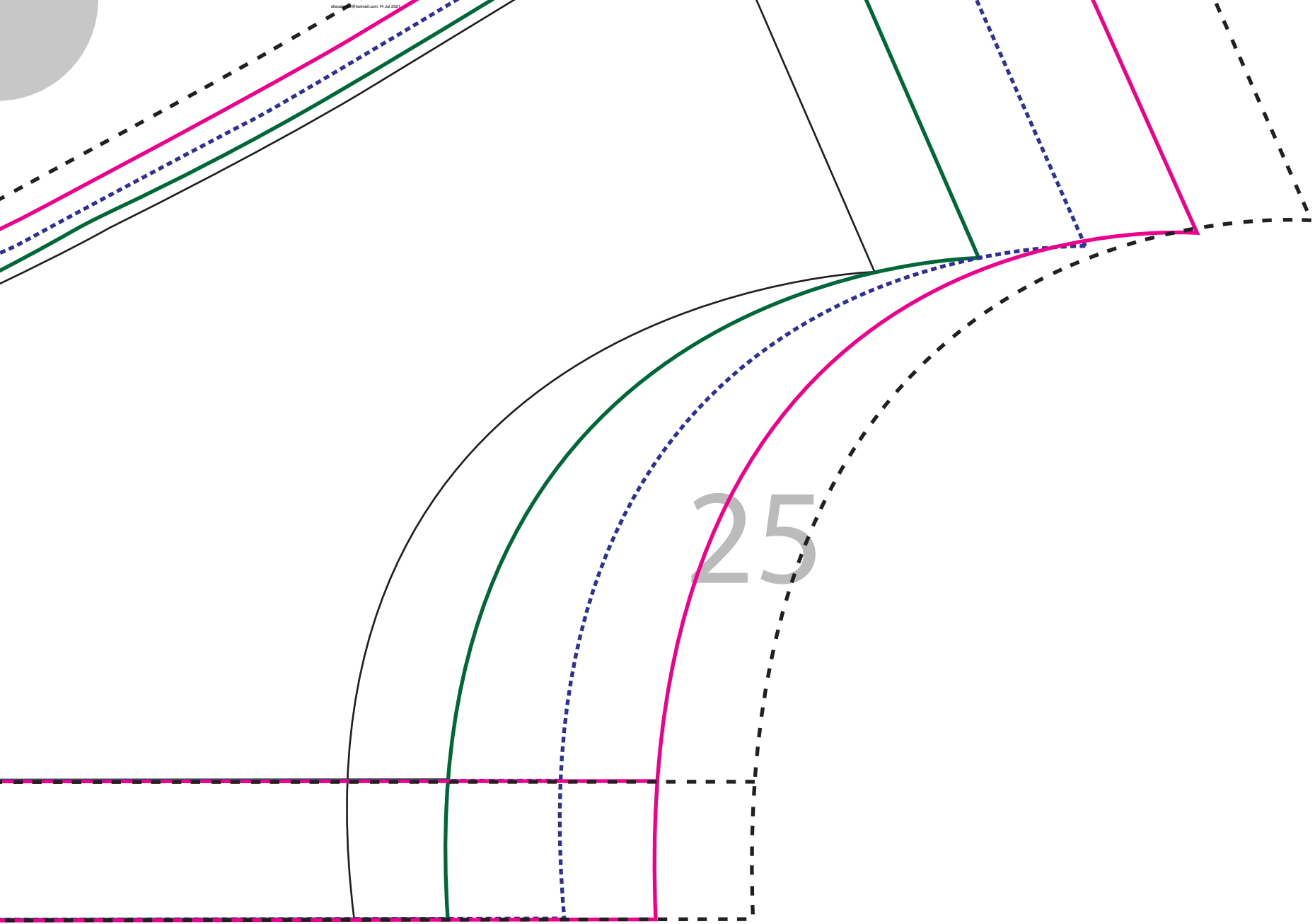
Facing

Cut Two on Fabric

Cut 2 on Fusible Interfacing

So-Sew-Easy.com





25