



Unisex Pajama Bottom

This is the second part of the [unisex pajama pattern](#). These are the pajama bottoms to match the top that we did last week. I am using the rest of my flannel which is already washed and preshrunk in the dryer.

I have added pockets to the pants, for whatever reason I cannot explain I prefer pockets on my pajama bottom even though I hardly use them.

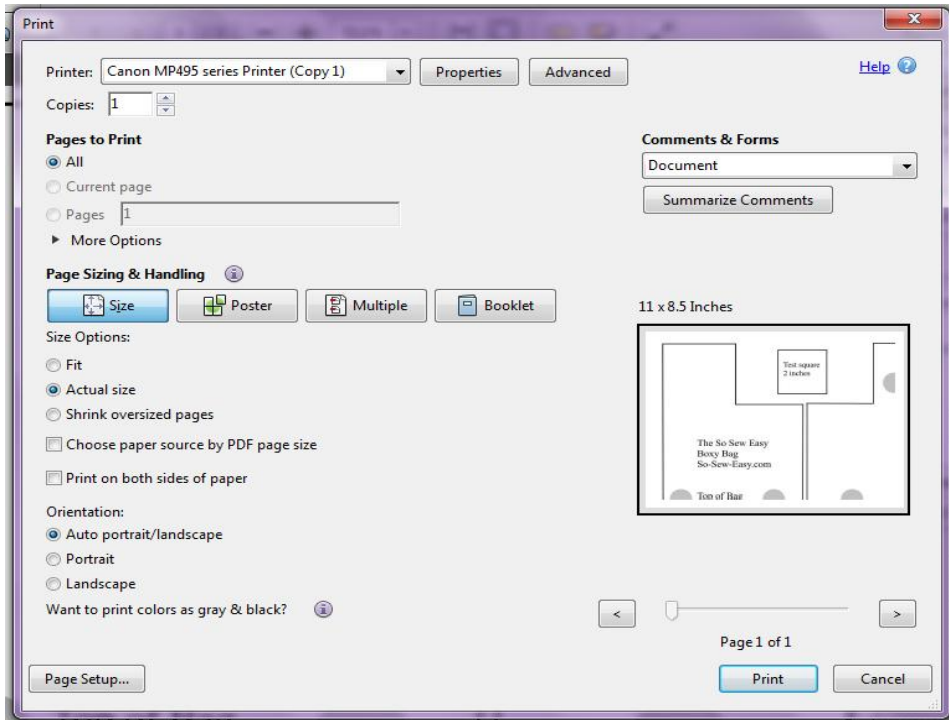
The elastic waistband on this pajama bottom is made differently than you are probably used to seeing. The reason is that I hate a wide elastic in my pajamas, the three rows of thin elastic make it a lot more comfortable for sleeping.

For the gentleman, there is a fly front for an easy escape. The fly front closes with a buttonhole on the outside and a button in the inside away from the skin.

You can read more about this pattern over at So Sew Easy [HERE](#).

Find more great sewing patterns at So Sew Easy – <http://so-sew-easy.com>

To print your PDF pattern



Your pattern pieces come at the end of these instructions. For accurate printing, please make sure you are using the latest version of Adobe Reader. You can [download the latest version here](#) if you need to.

Select File → Print and the print dialogue box opens. Under Page Sizing and Handling, select ACTUAL SIZE . Check the preview in the right hand side illustration. Select the page numbers you want to print. You can print the whole document, or just the pattern pieces.

On the edge of the top left page is a box you can use to test your printing. This box should measure 2 inches square. If yours is wildly different you will need to check your printer options to make sure the pages are not being resized.

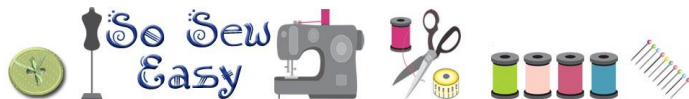
Use the grey guides on the overlap of the sheets to match up the pattern pieces, folding under or cutting off any overlaps, tape together and cut out your pattern pieces.

Help printing and assembling your pattern

You can find helpful tutorials on how to download, print and assemble PDF sewing patterns here:

[How to download and print a PDF sewing pattern](#)

[How to print and assemble a PDF sewing pattern](#)



Find more great sewing patterns at So Sew Easy – <http://so-sew-easy.com>

Materials

- 2 to 2.5 yards of flannel, cotton or silk. Allow extra fabric if matching stripes or large print.
- Thread to match
- 3 yards of 1/4" elastic or a 2" elastic the sizes of your waist.
- One 14 mm button

Tools

- Sewing machine
- Buttonhole foot
- Scissors
- Measuring tape
- Pins
- Iron



Find more great sewing patterns at So Sew Easy – <http://so-sew-easy.com>

Thank you for downloading this pattern and tutorial. I hope you enjoyed making this project and remember that I love to see what you made so do upload your completed projects to the pattern page on Craftsby.

Keep up with all the latest news and sewing projects at [So Sew Easy](#).

We also have a really great sewing chat group where you can ask questions, share your completed projects, and get 24 hr sewing inspiration. It's not just for So Sew Easy projects – you can chat about all sewing there, whether a newbie just starting out, or an advanced and experienced sewer, there's something for everyone in the sewing chat group. Join us here.

[SEWING CHAT GROUP](#)

For the latest list of both free and paid patterns available, pop on over to [my designer page at Craftsby](#).

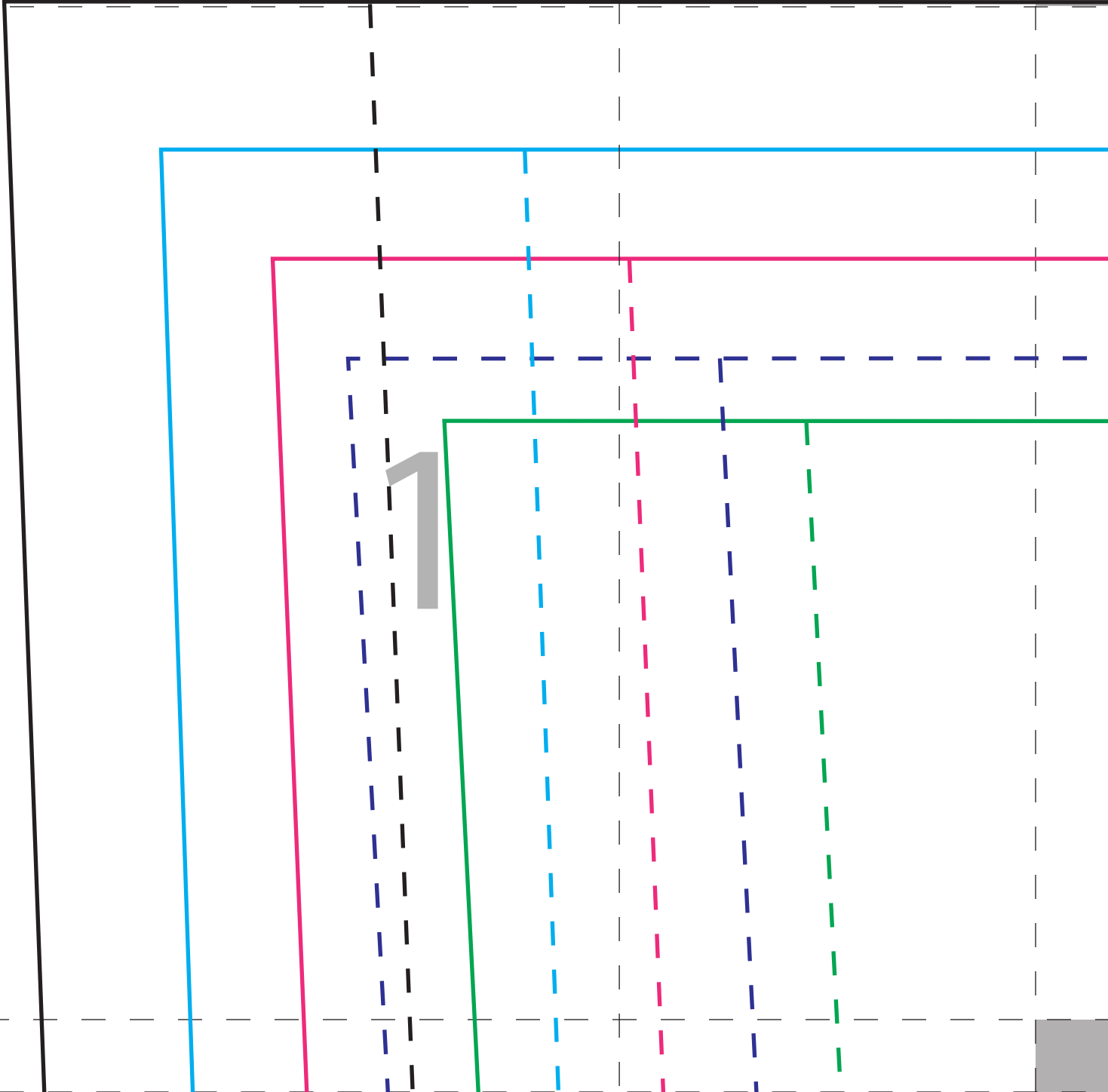
This pattern graphic, the photos and the instructions are copyright So Sew Easy Pte Ltd and protected by law. All rights reserved. Please do not copy, publish, sell, redistribute or alter them in any way. Please don't print and give to your friends, or send it to anyone by email. Please do not rebrand this work as your own and sell or give it away, even if altered. This is intended for your personal use. If you would like to recommend these instructions, please pass on the original download link at So-Sew-Easy.com. Thank you for your understanding.

Usage – you ARE allowed to use this pattern to make things to sell on a small handmade basis, such as for craft fairs and for your Etsy shop. However it may not be used for larger scale commercial purposes without a commercial license.

Find more great sewing patterns at So Sew Easy – <http://so-sew-easy.com>



Unisex
Pajama Bottom
2" X 2"
Square Test
So-Sew-Easy.com
Copyright 2018

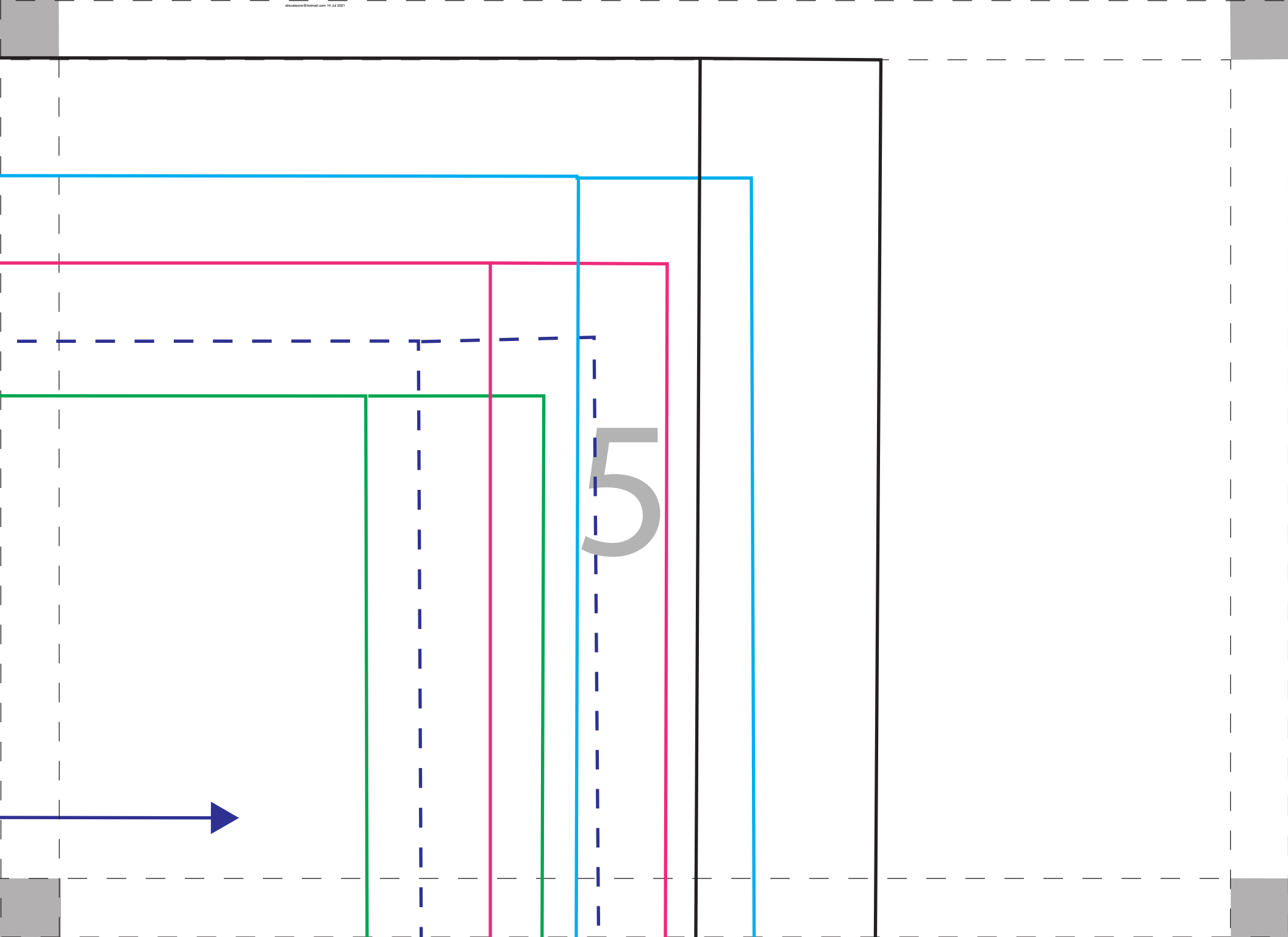


2



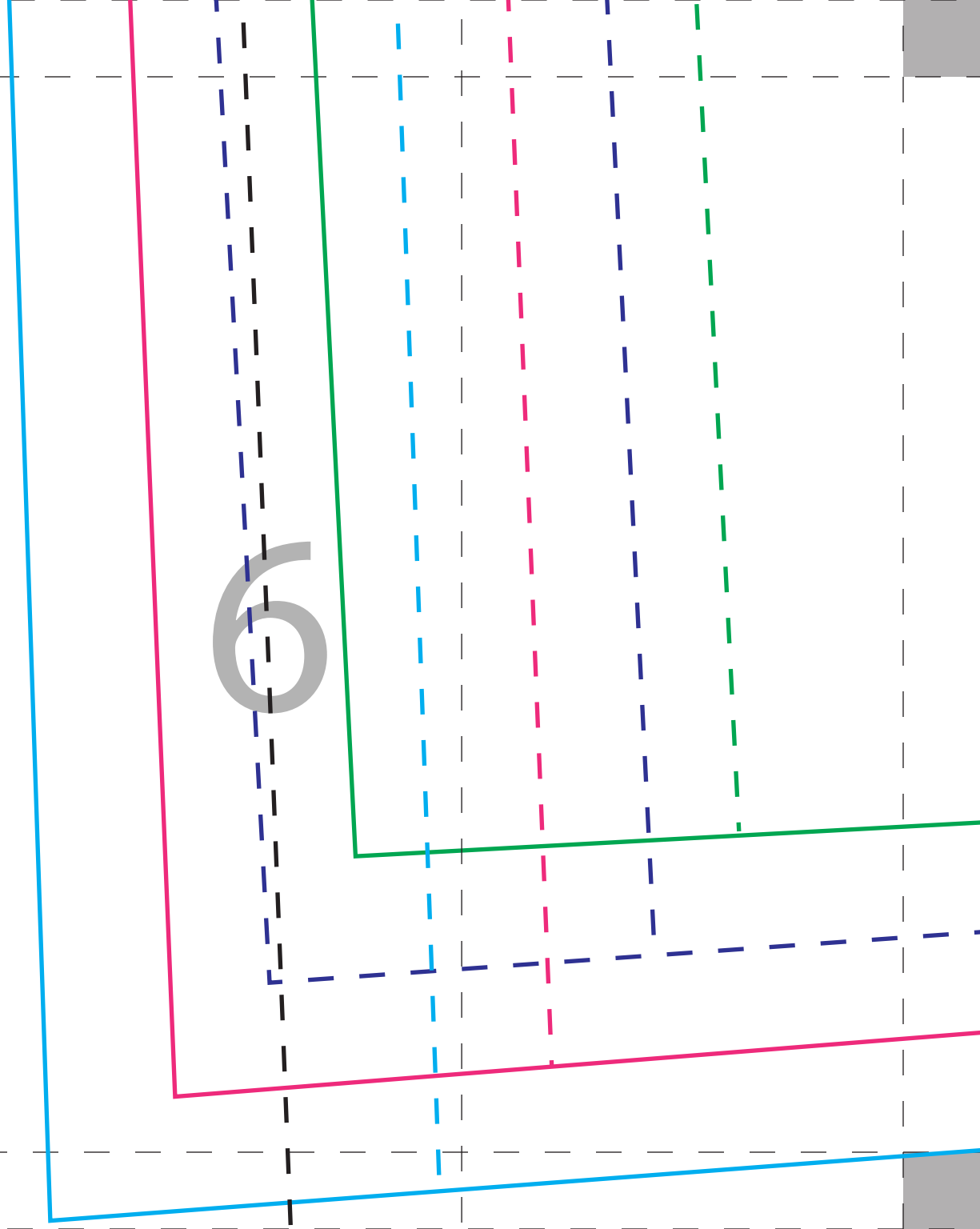
3

4



5

6

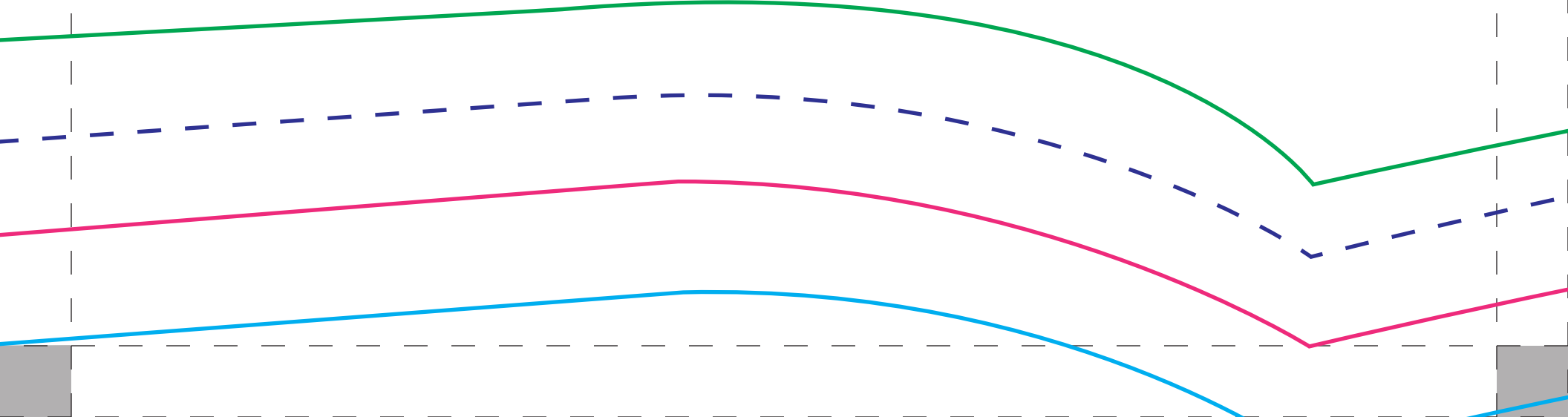


Back

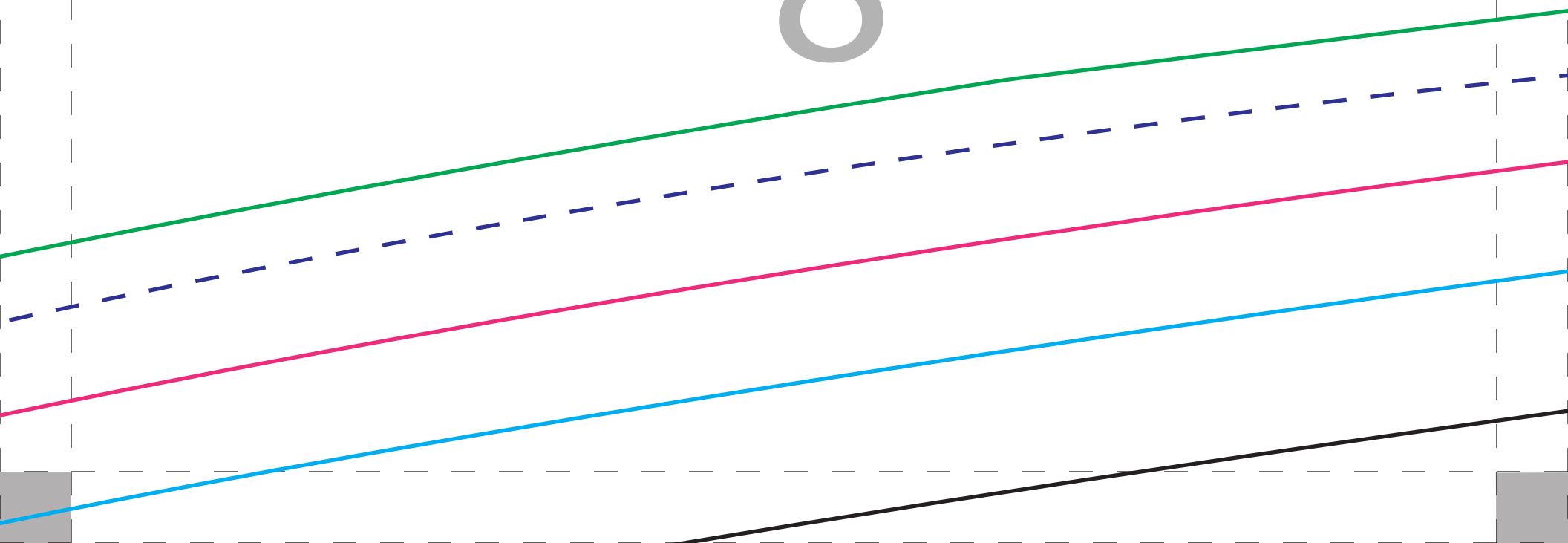
Cut Two

So-Sew-Easy.com

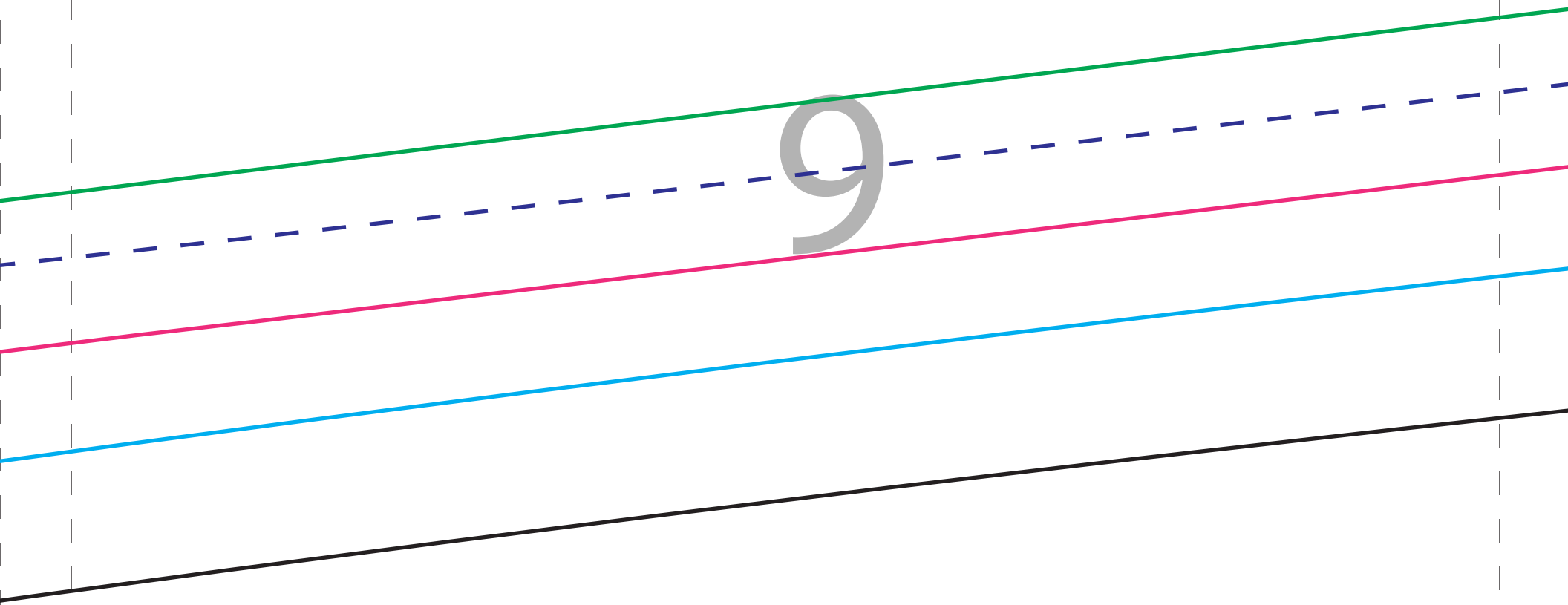
7

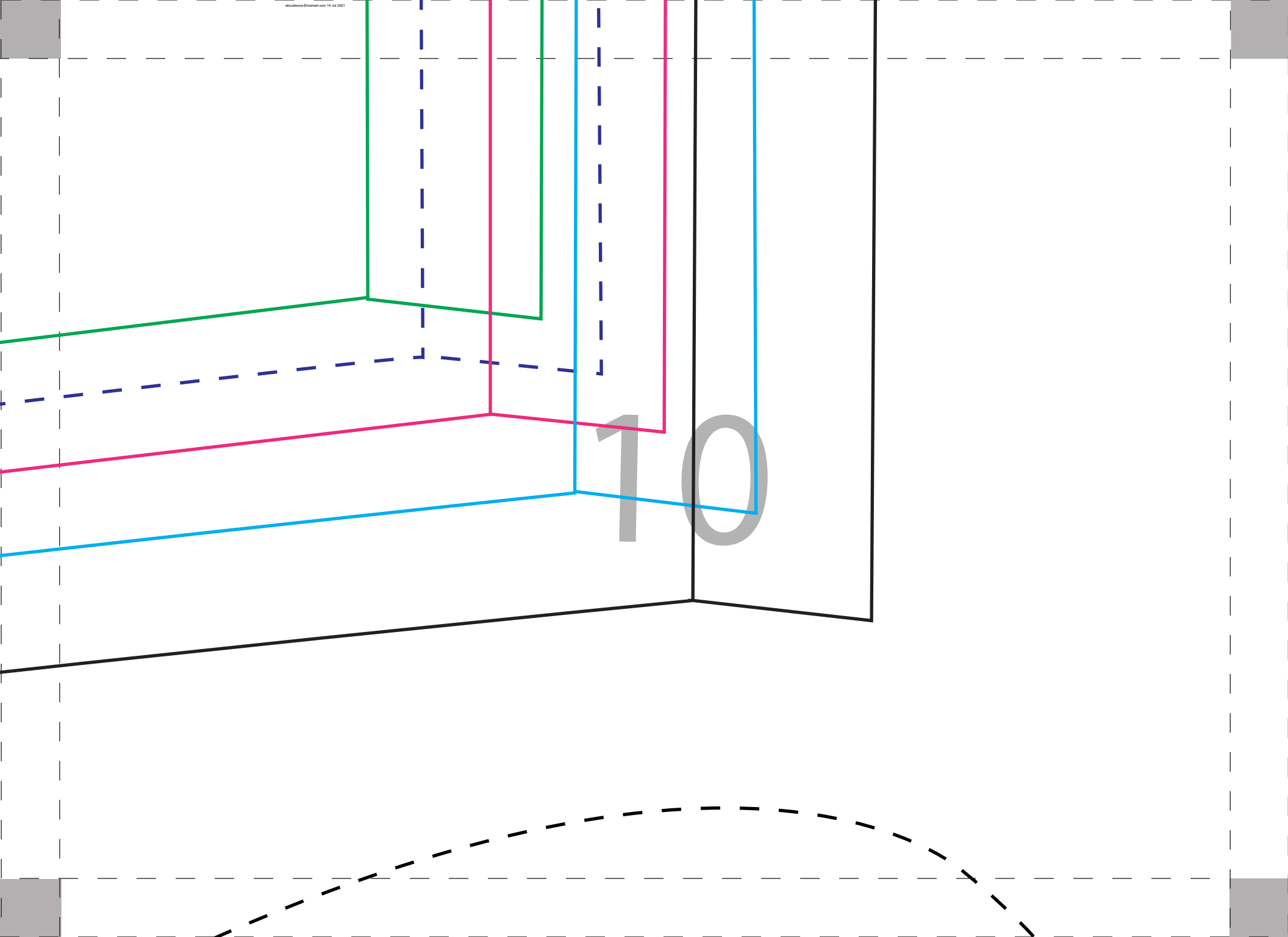


8



9



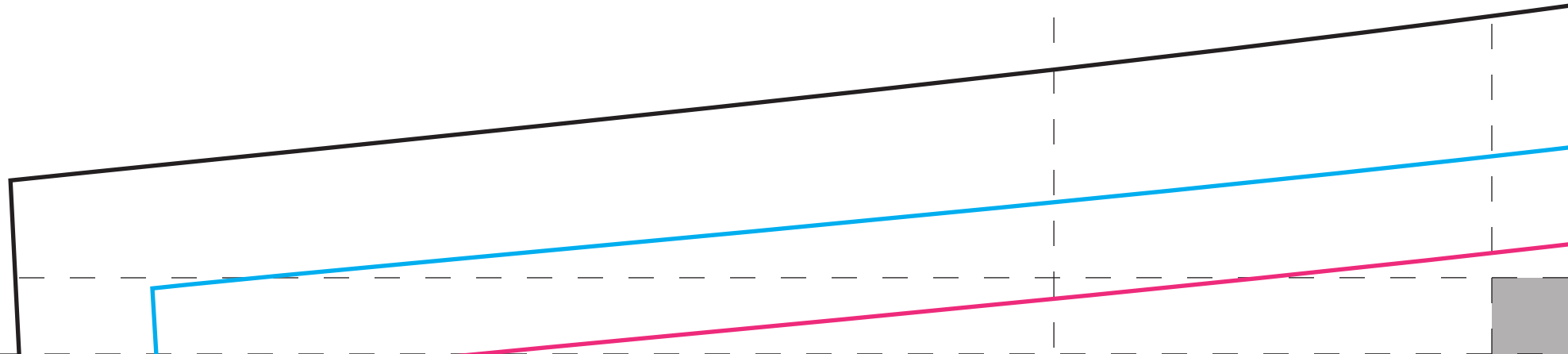


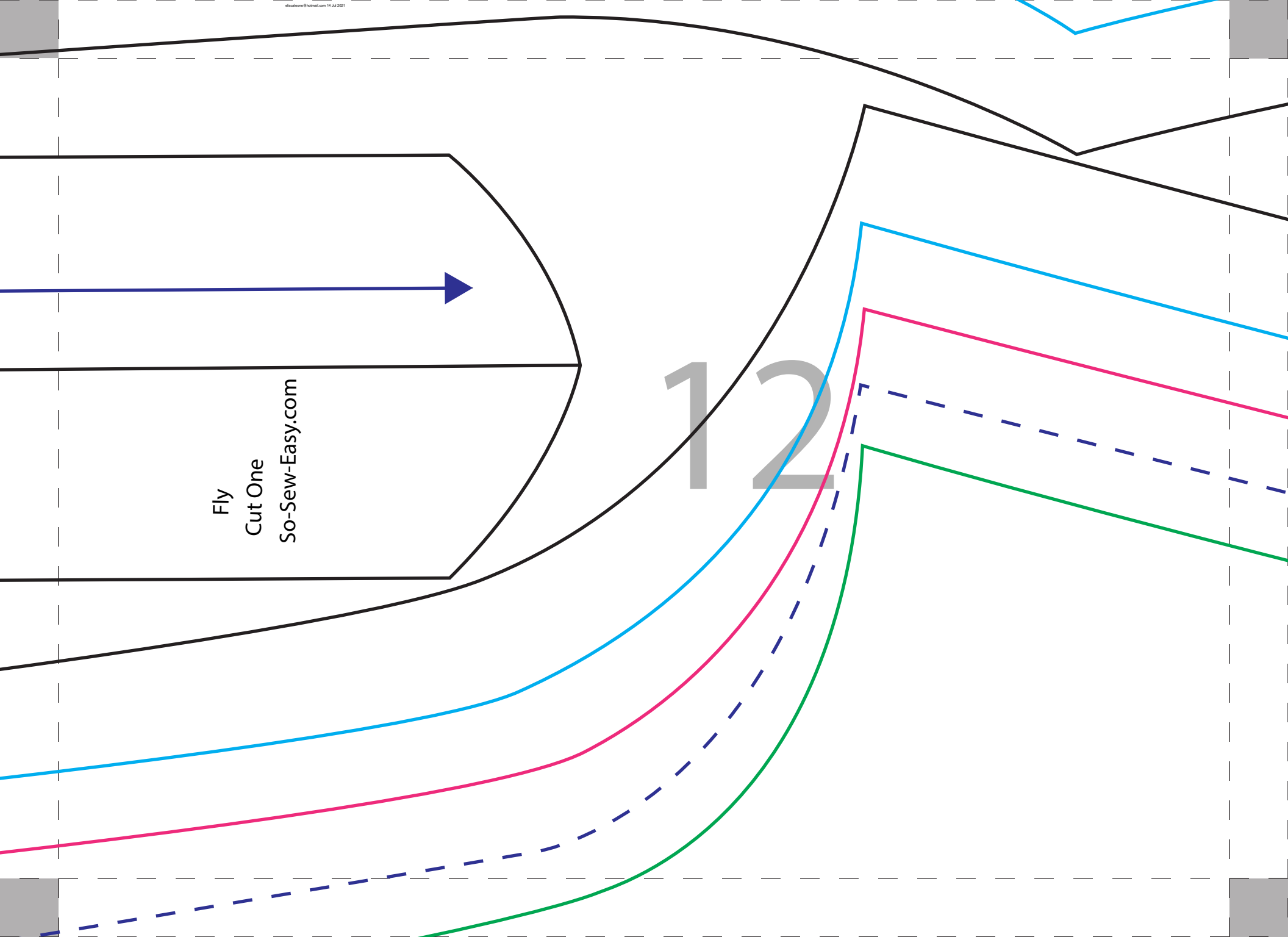
10

1



11

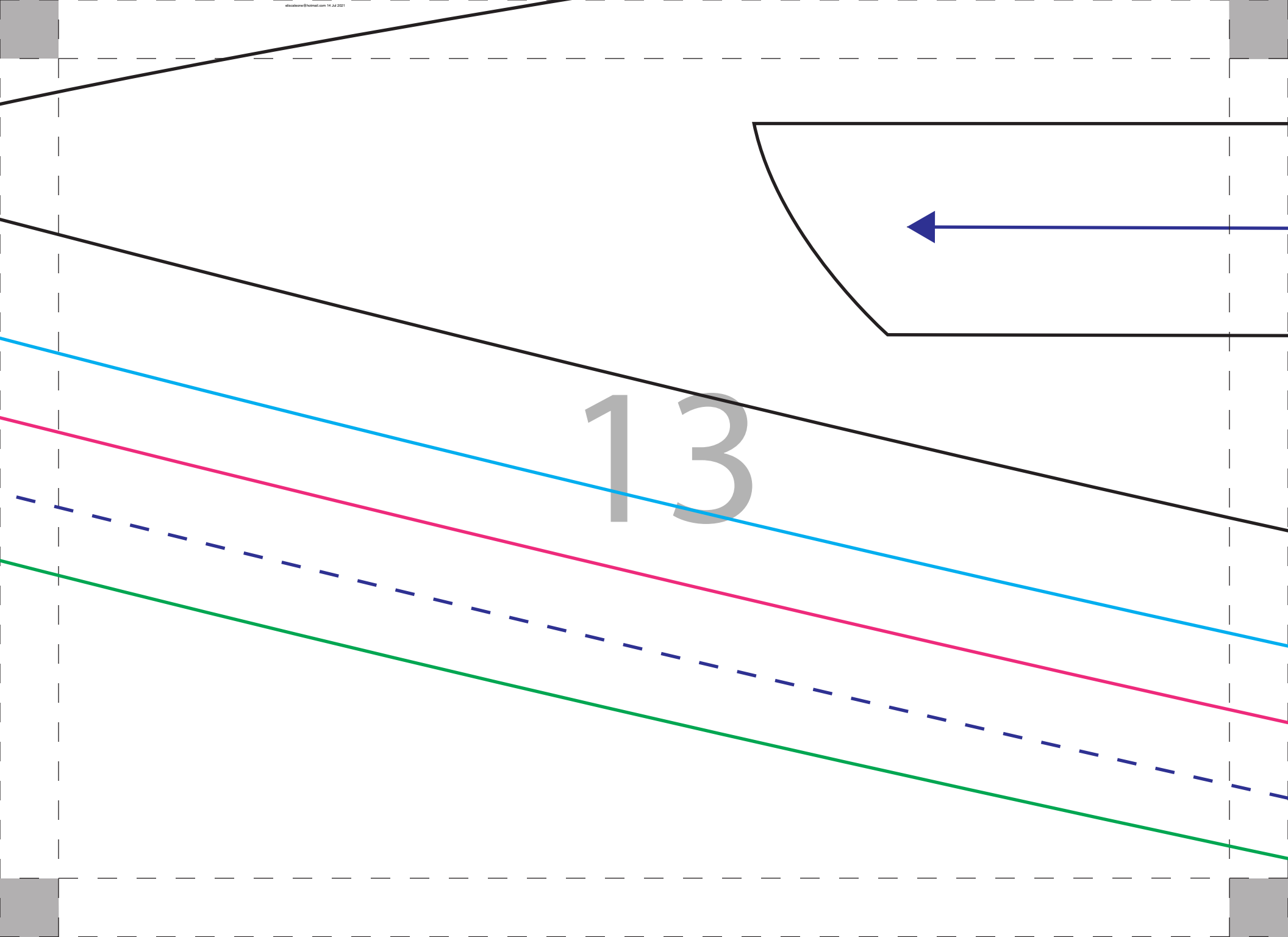




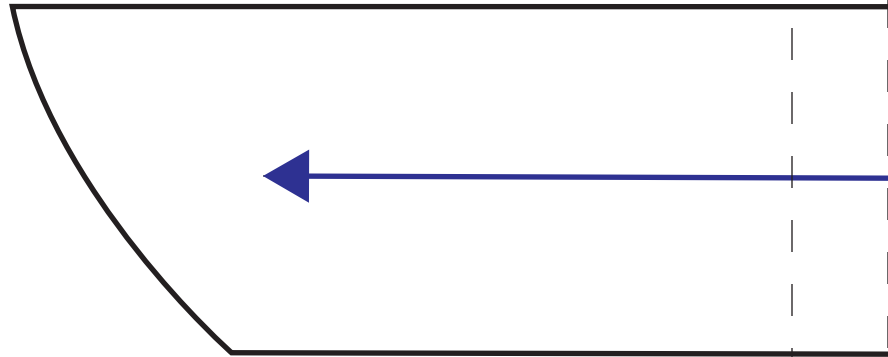
Fly
Cut One
So-Sew-Easy.com

12






13



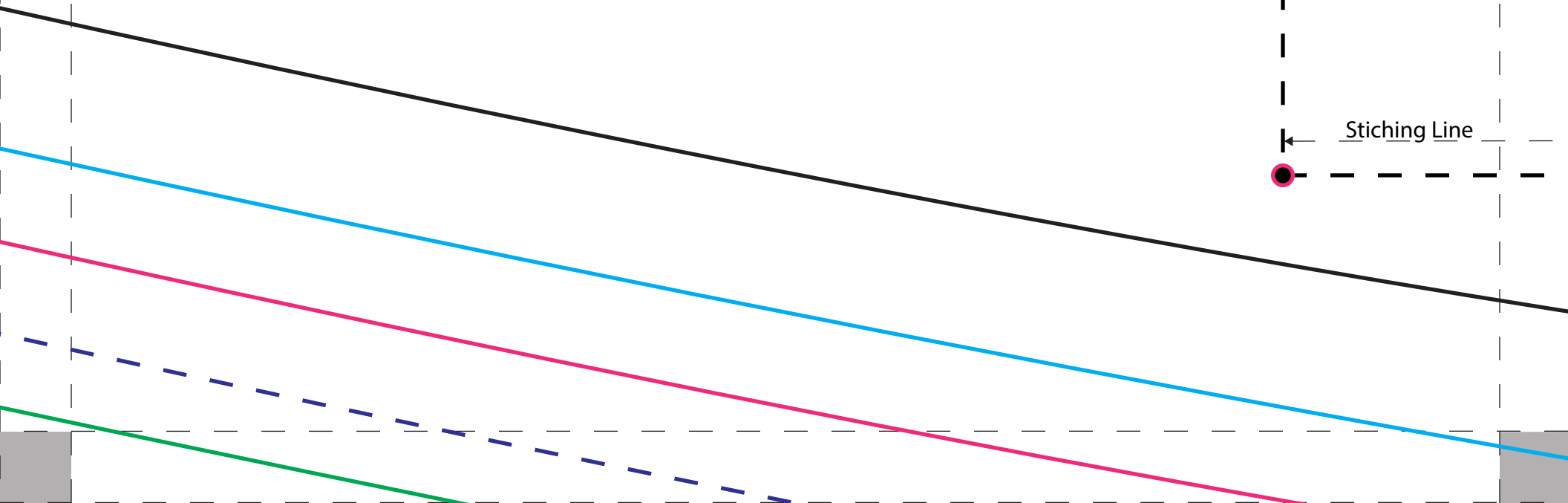
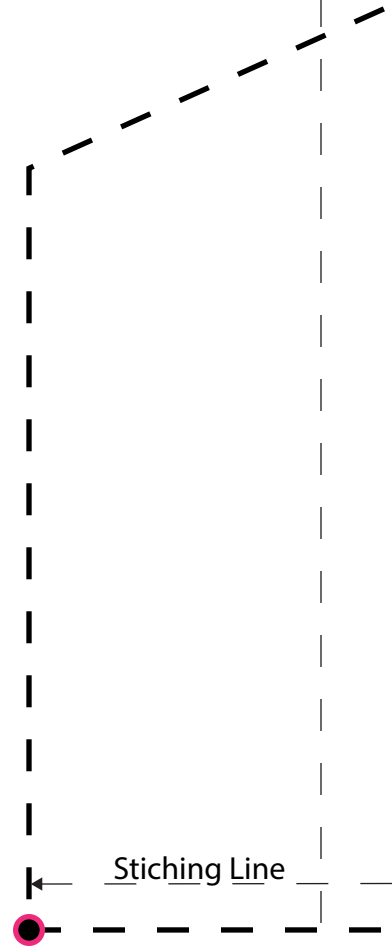
So-Sew-Easy.com

Cut One

Fly



14

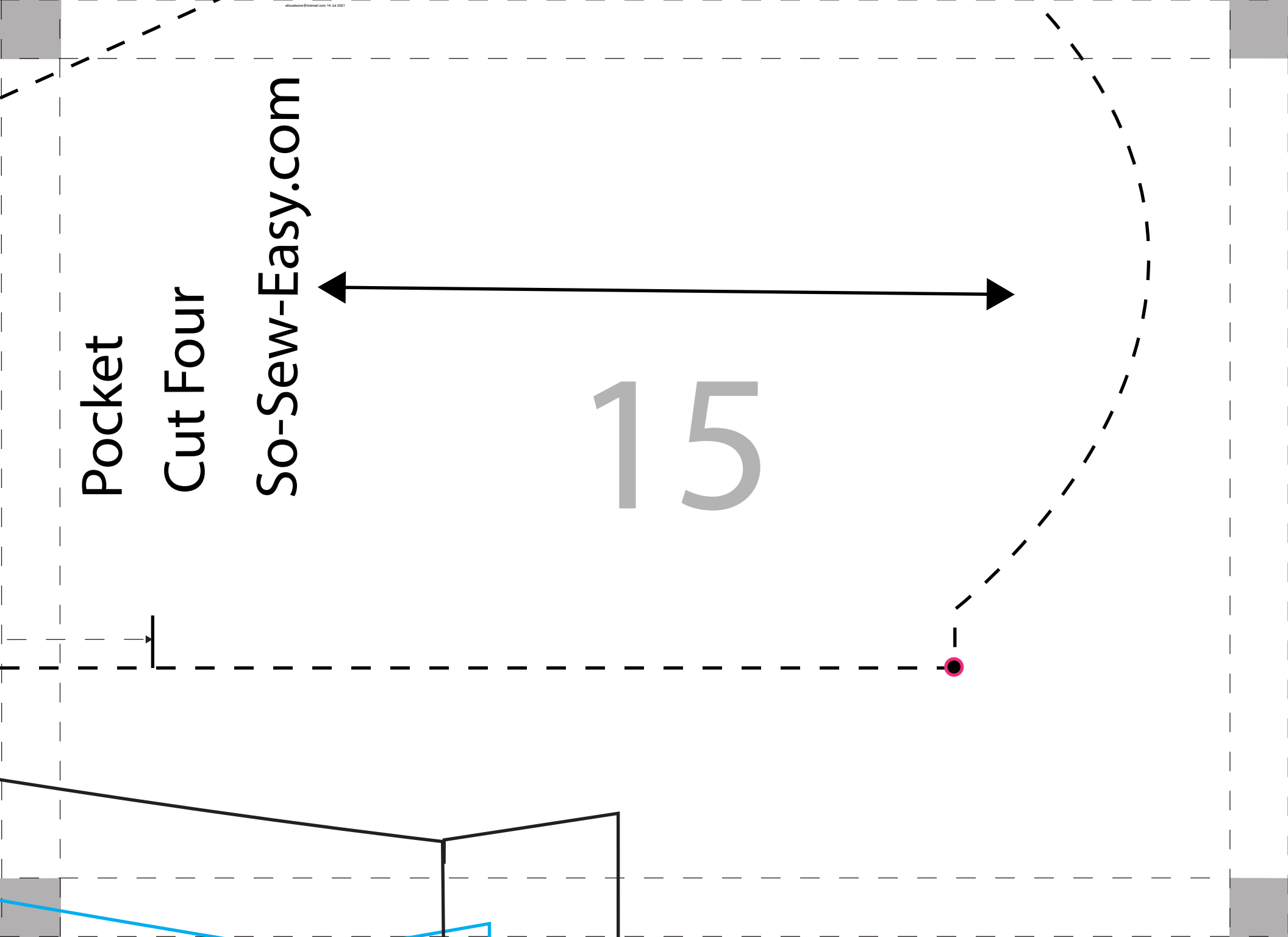
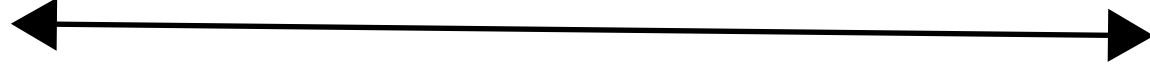


Pocket

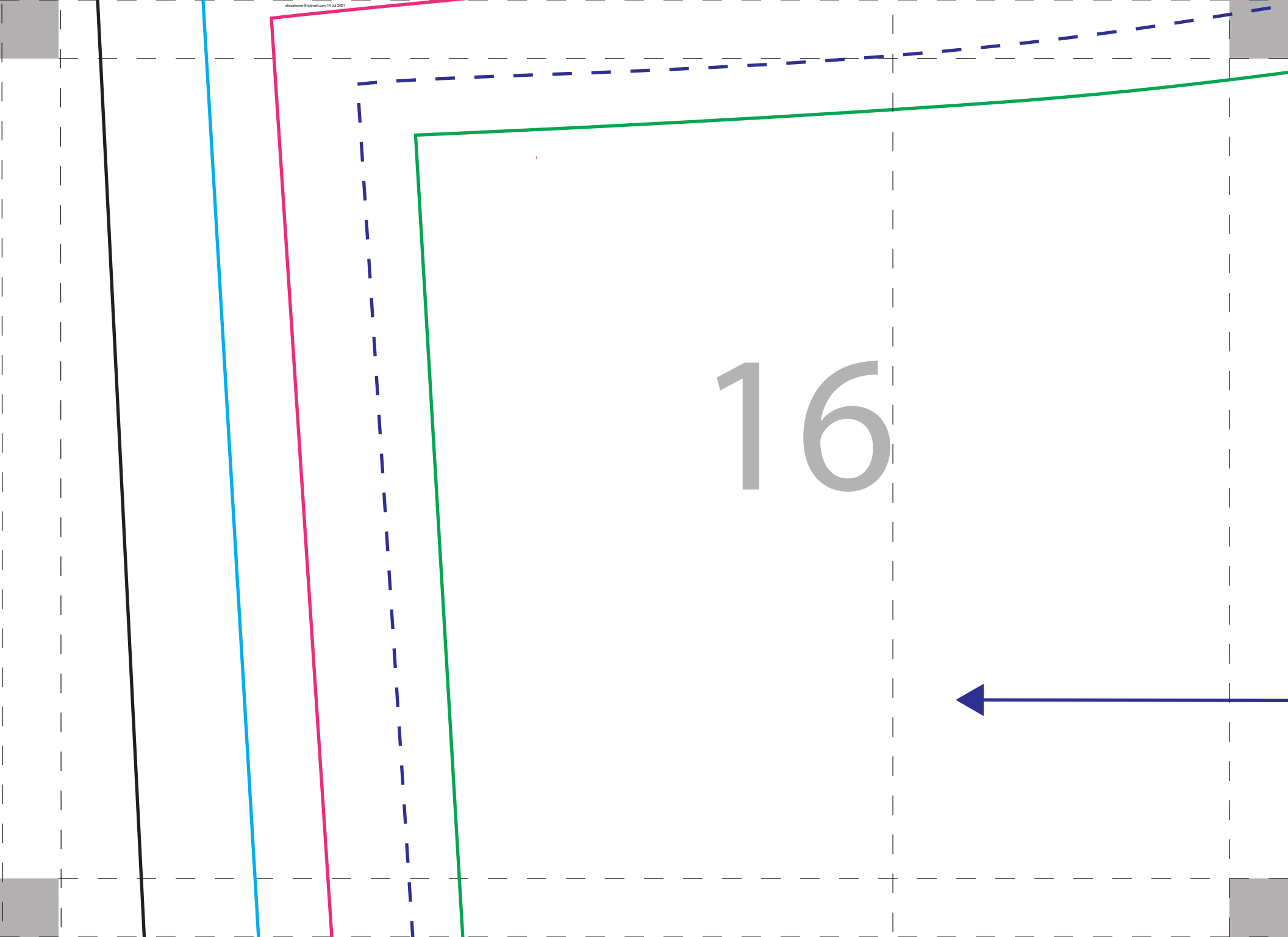
Cut Four

So-Sew-Easy.com

15



16



Front

Cut Two

So-Sew-Easy.com

17

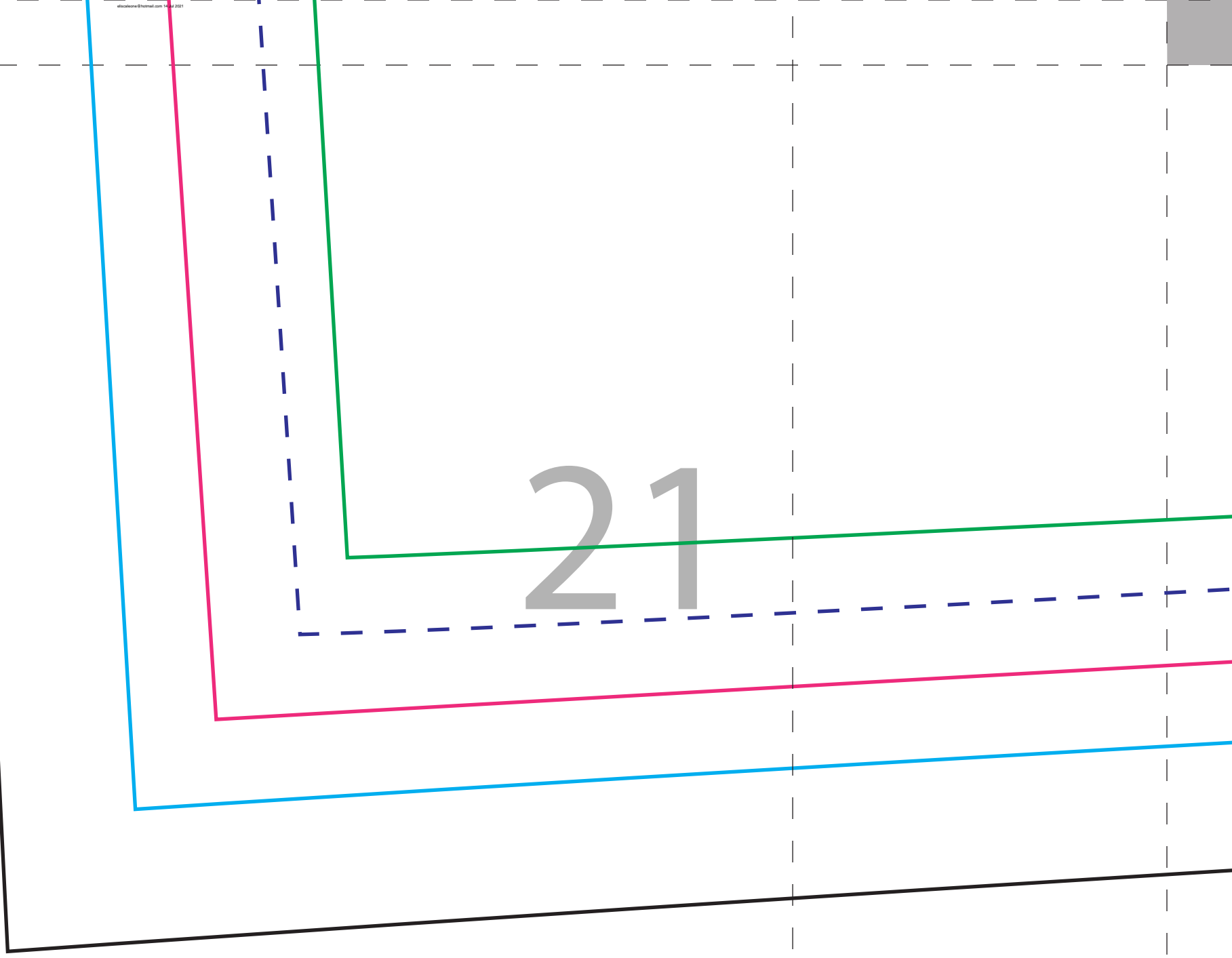
18

19

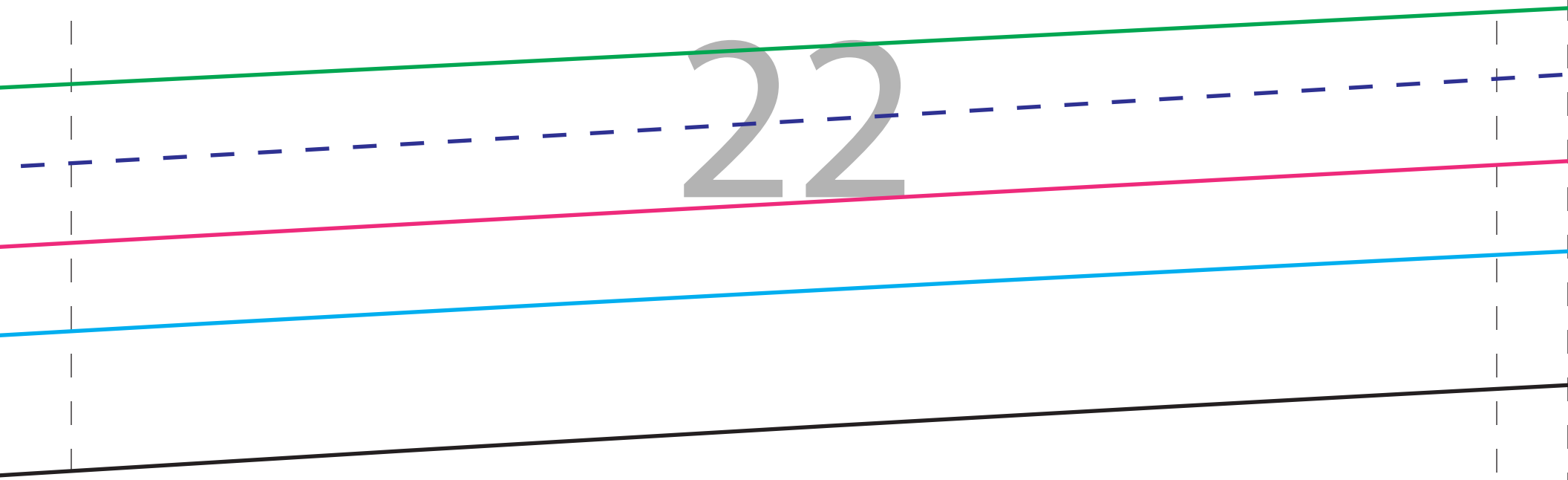


20

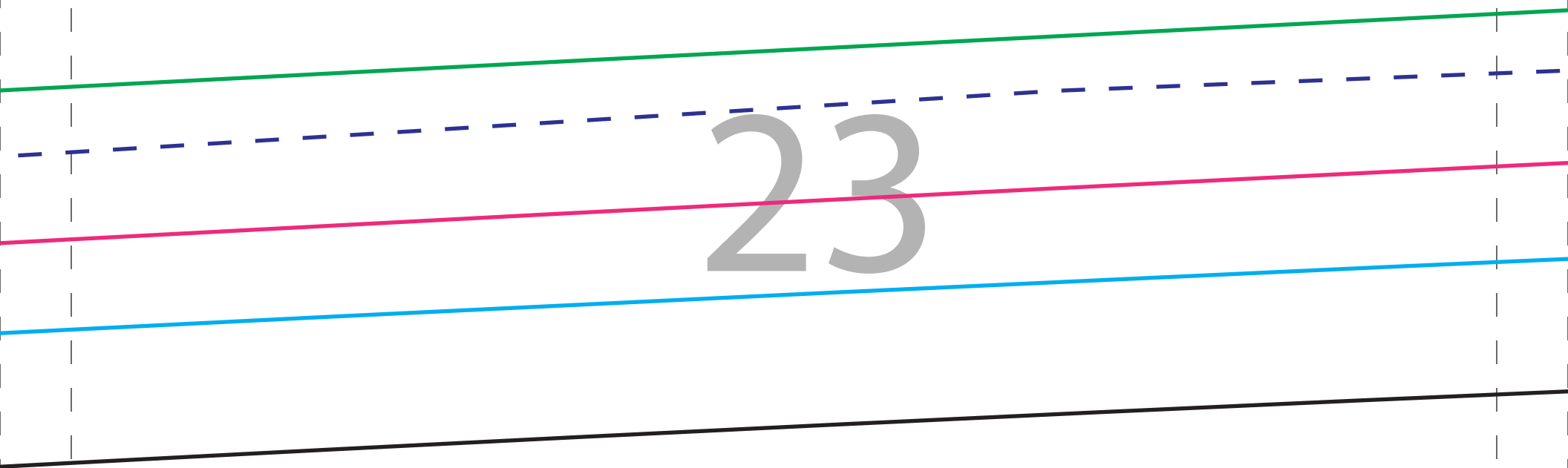
21

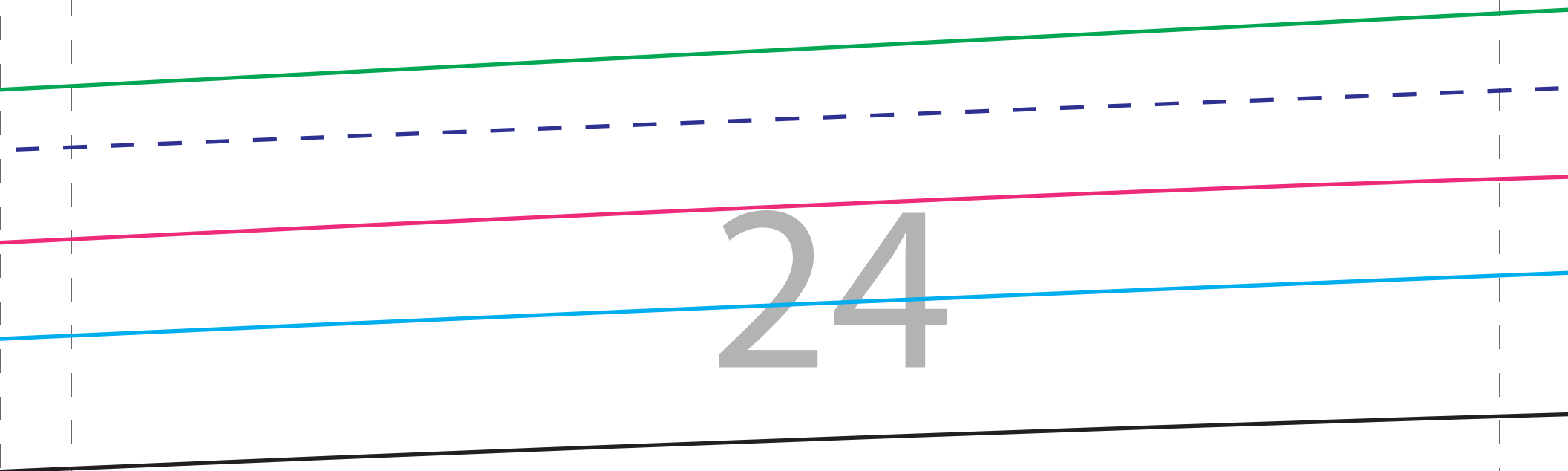


22

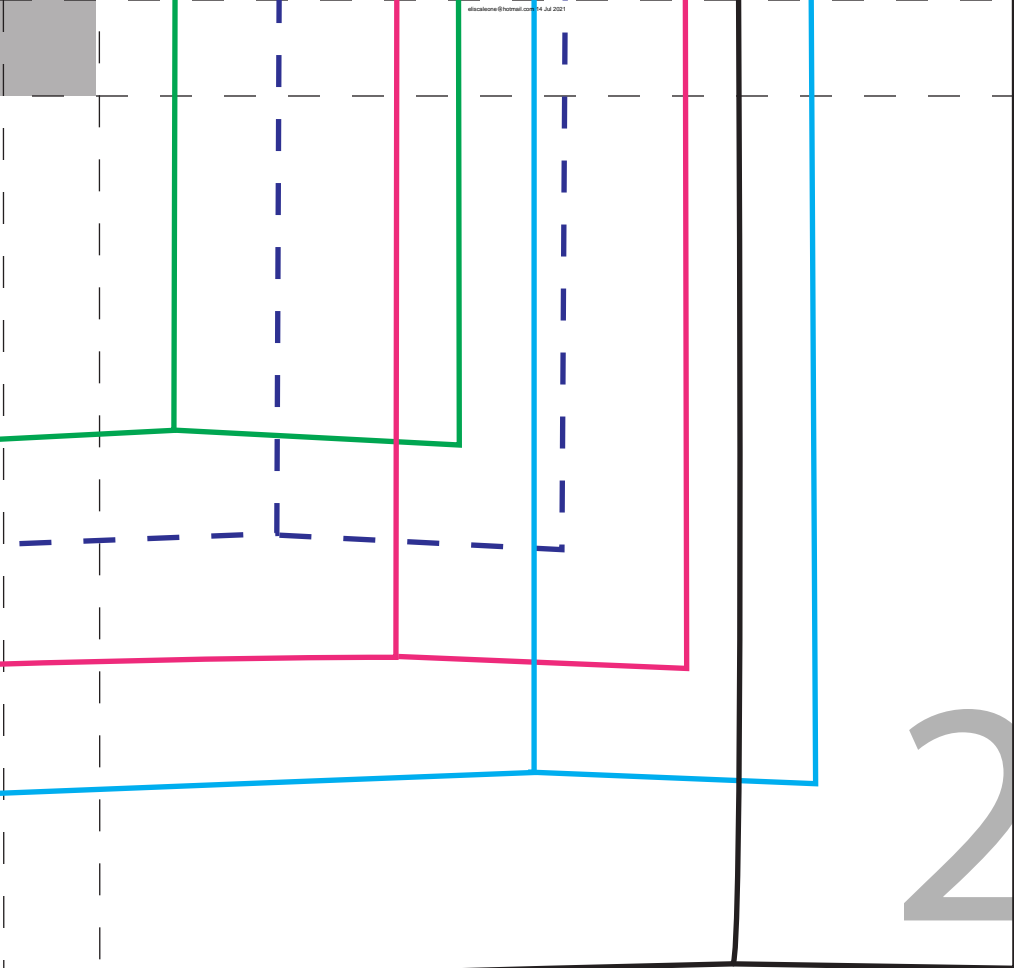


23





24



25