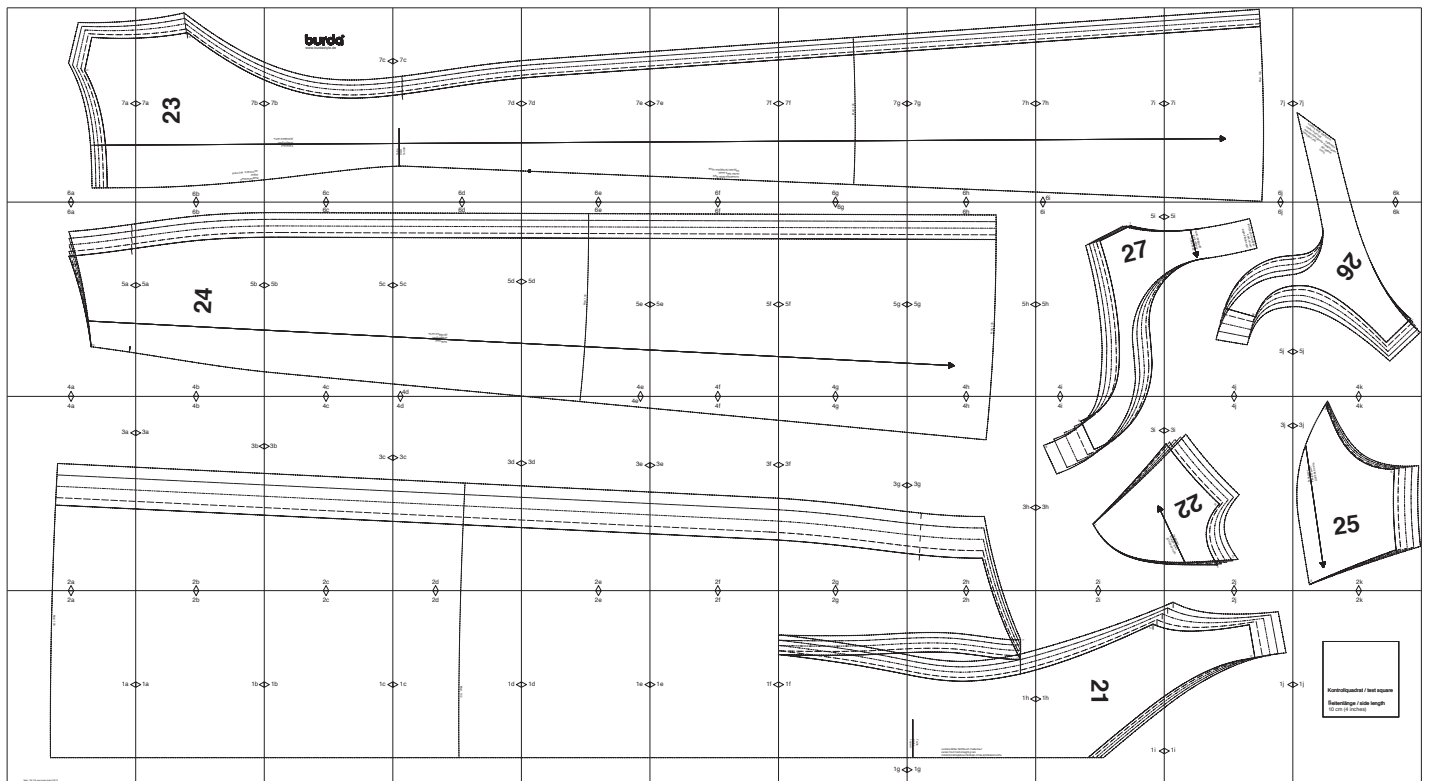


# burda Download-Schnitt

Modell 132 Burda Style 2/2012



Copyright 2012 by Verlag Aenne Burda GmbH & Co. KG, Hubert-Burda Platz 2, D-77652 Offenburg

Sämtliche Modelle, Schnittteile und Zeichnungen stehen unter Urheberschutz, gewerbliches Nacharbeiten ist untersagt.

Der Verlag haftet nicht für Schäden, die durch unsachgemäße Handhabung des Schnitts, der Materialien, unsachgemäße Ausführung der Tipps und Anleitungen oder unsachgemäße Nutzung der Modelle entstehen.

2a

Mod. 133

1a



A diagram showing a rectangular frame with a dashed horizontal line near the bottom. Three labels with arrows point to the frame: '1a' on the left side, '1b' on the right side, and '2b' at the top center.

2b

1a

1b

A diagram of a rectangular frame. The top edge is labeled '2c' with a downward-pointing arrowhead. The left edge is labeled '1b' with a rightward-pointing arrowhead. The right edge is labeled '1c' with a leftward-pointing arrowhead. A horizontal dashed line is drawn across the bottom portion of the frame.

2c

1b

1c

2d

1c

1d

Mod. 132

2e

1d

1e



$2f$

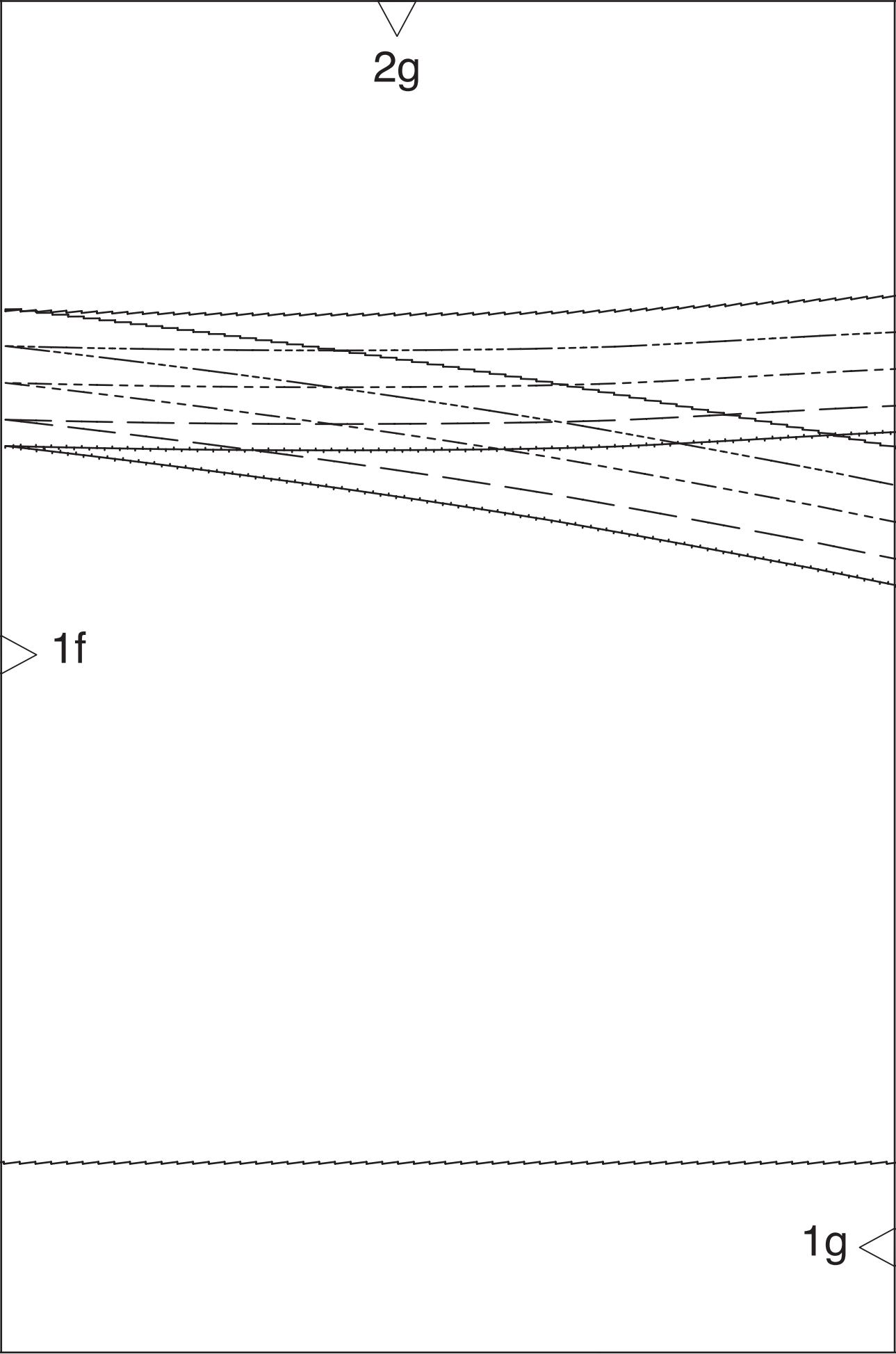
$1e$

$1f$

2g

1f

1g





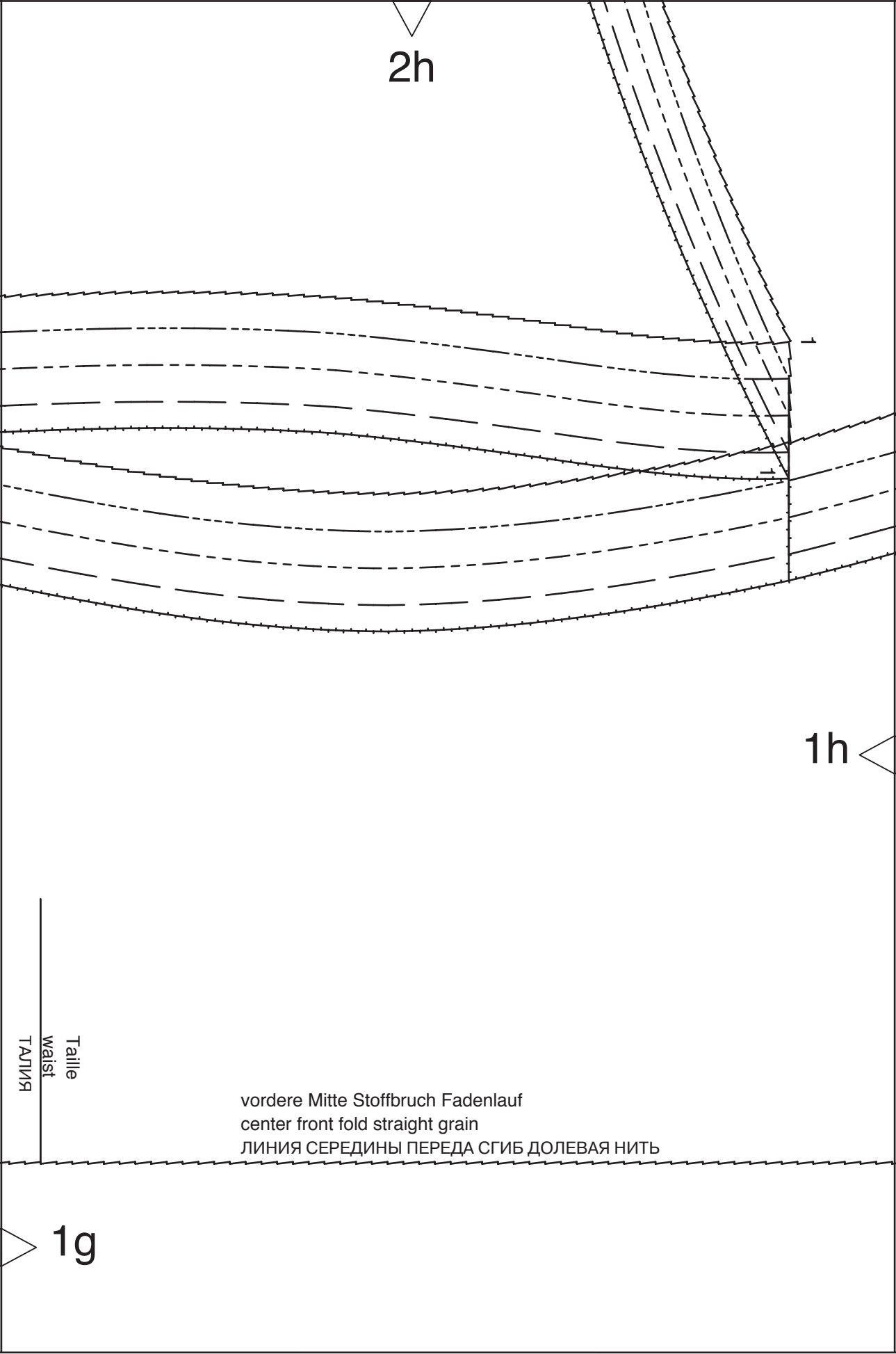
2h

1h

Taille  
waist  
ТАЛИЯ

vordere Mitte Stoffbruch Fadenlauf  
center front fold straight grain  
ЛИНИЯ СЕРЕДИНЫ ПЕРЕДА СГИБ ДОЛЕВАЯ НИТЬ

1g



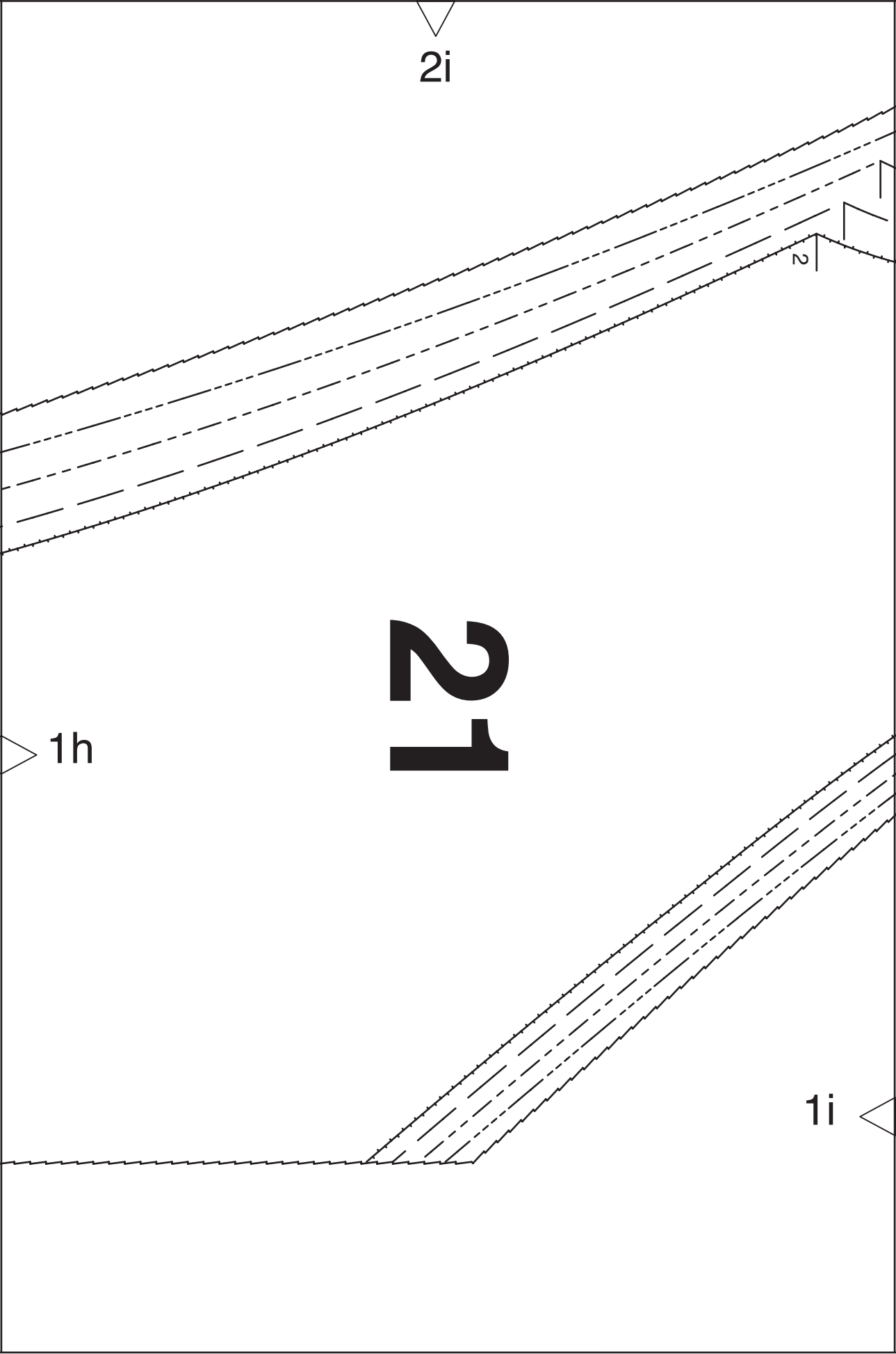
2i

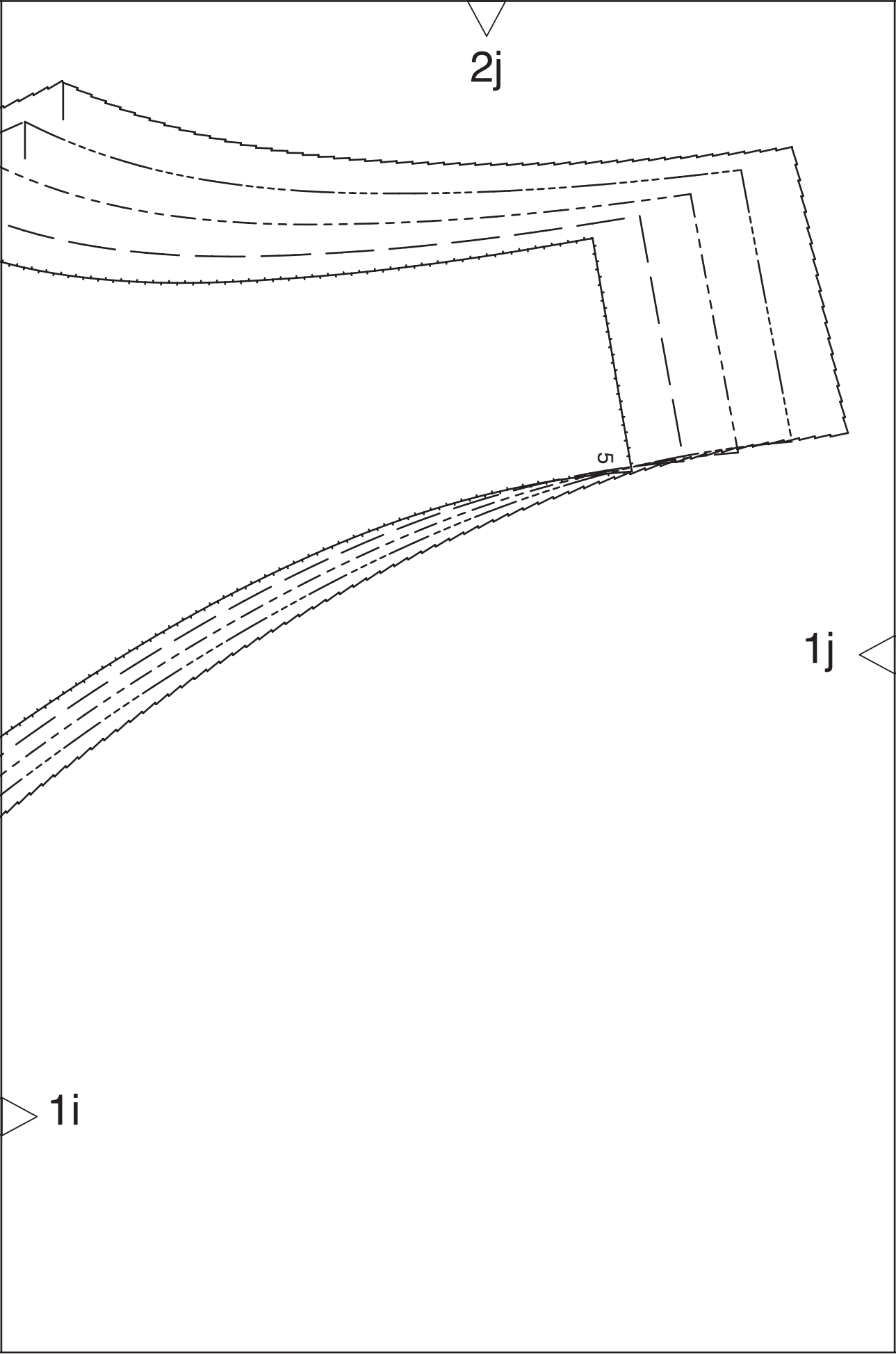
2

21

1h

1i







A diagram showing a large square with a smaller square inside it. The side length of the large square is labeled as  $2k$  at the top. The side length of the smaller square is labeled as  $1j$  on the left. The smaller square is labeled as a 'Kontrollquadrat / test square' with a side length of 10 cm (4 inches).

$2k$

$1j$

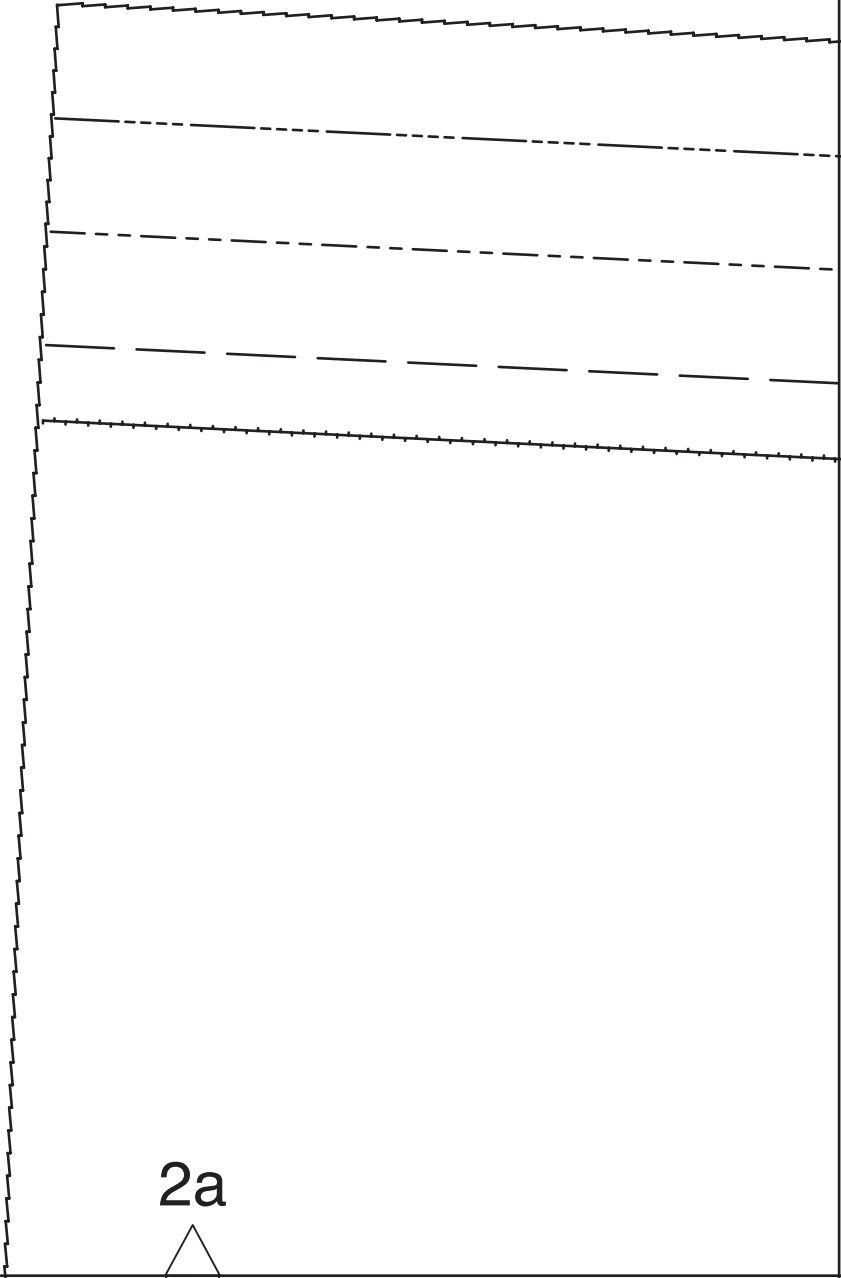
Kontrollquadrat / test square

Seitenlänge / side length  
10 cm (4 inches)

4a

3a

2a

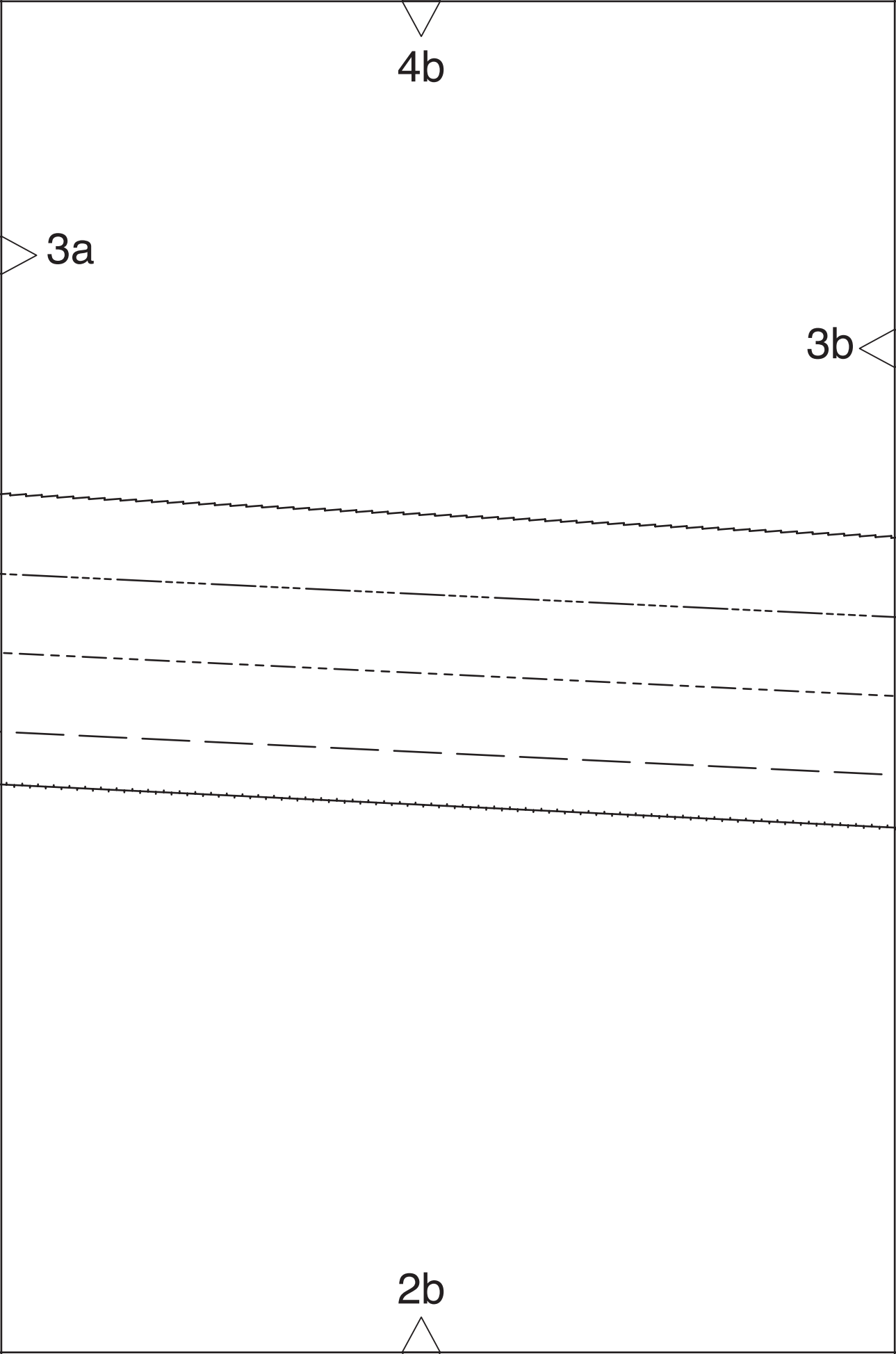


4b

3a

3b

2b

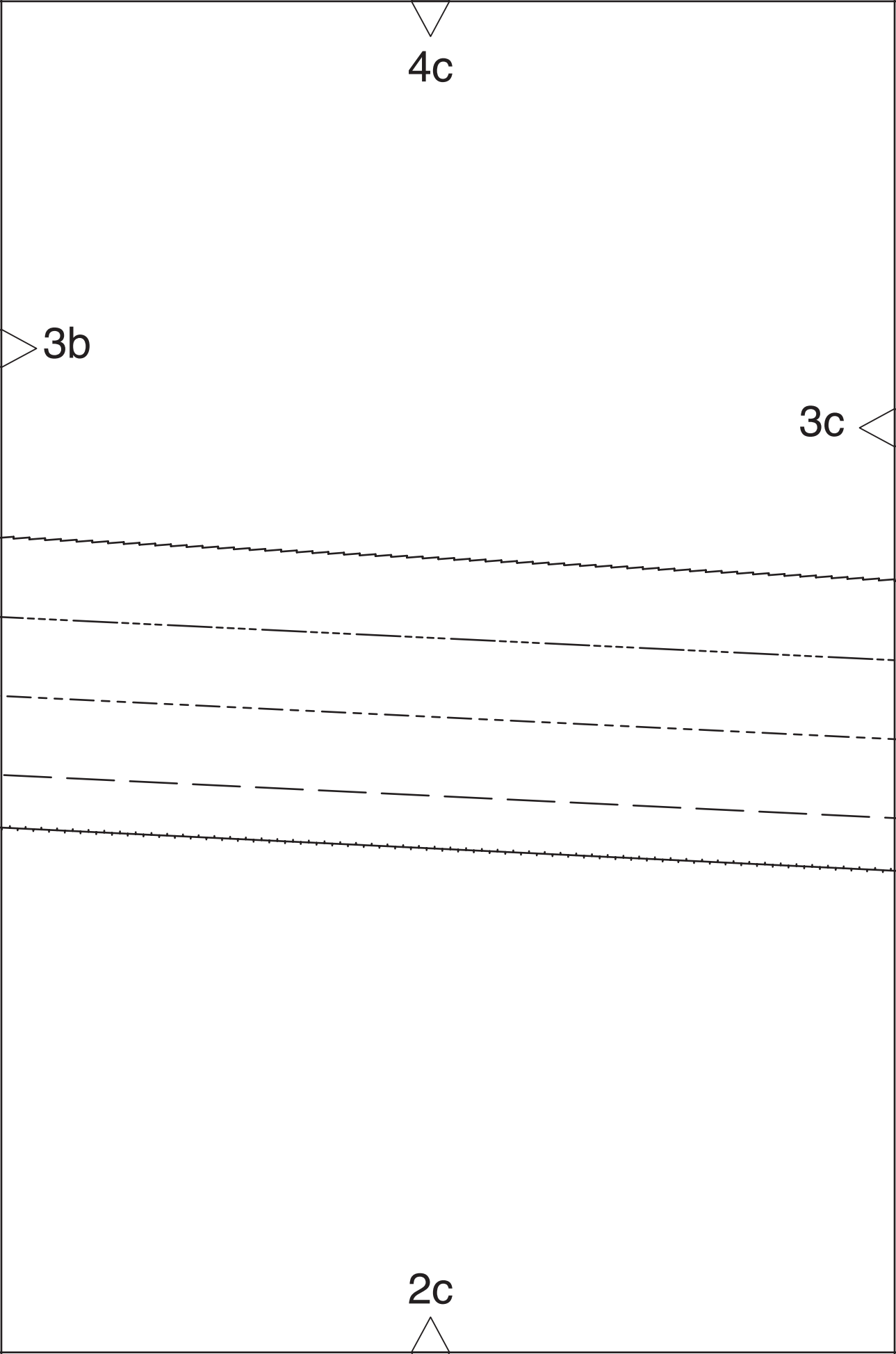


4c

3b

3c

2c

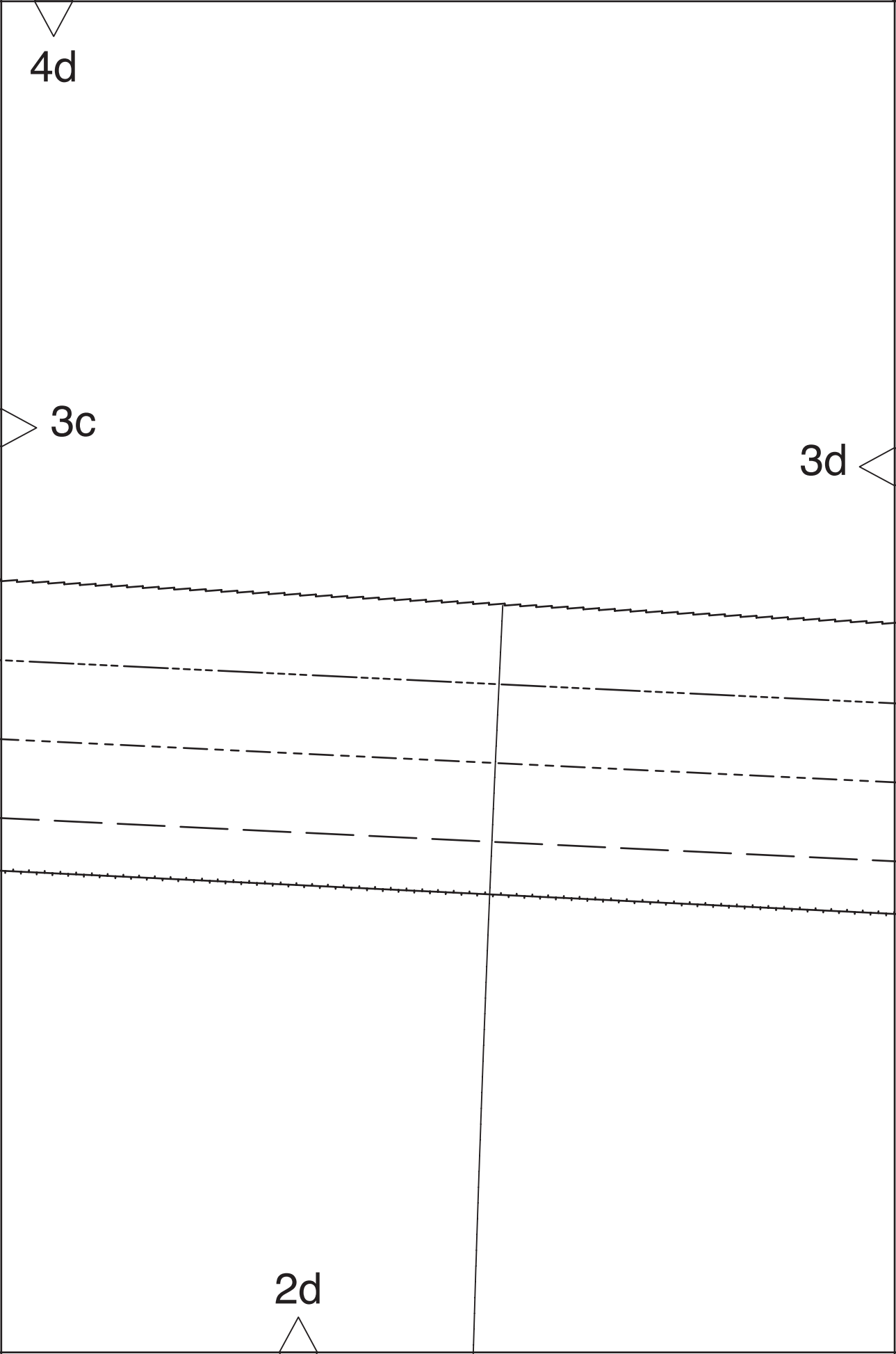


4d

3c

3d

2d



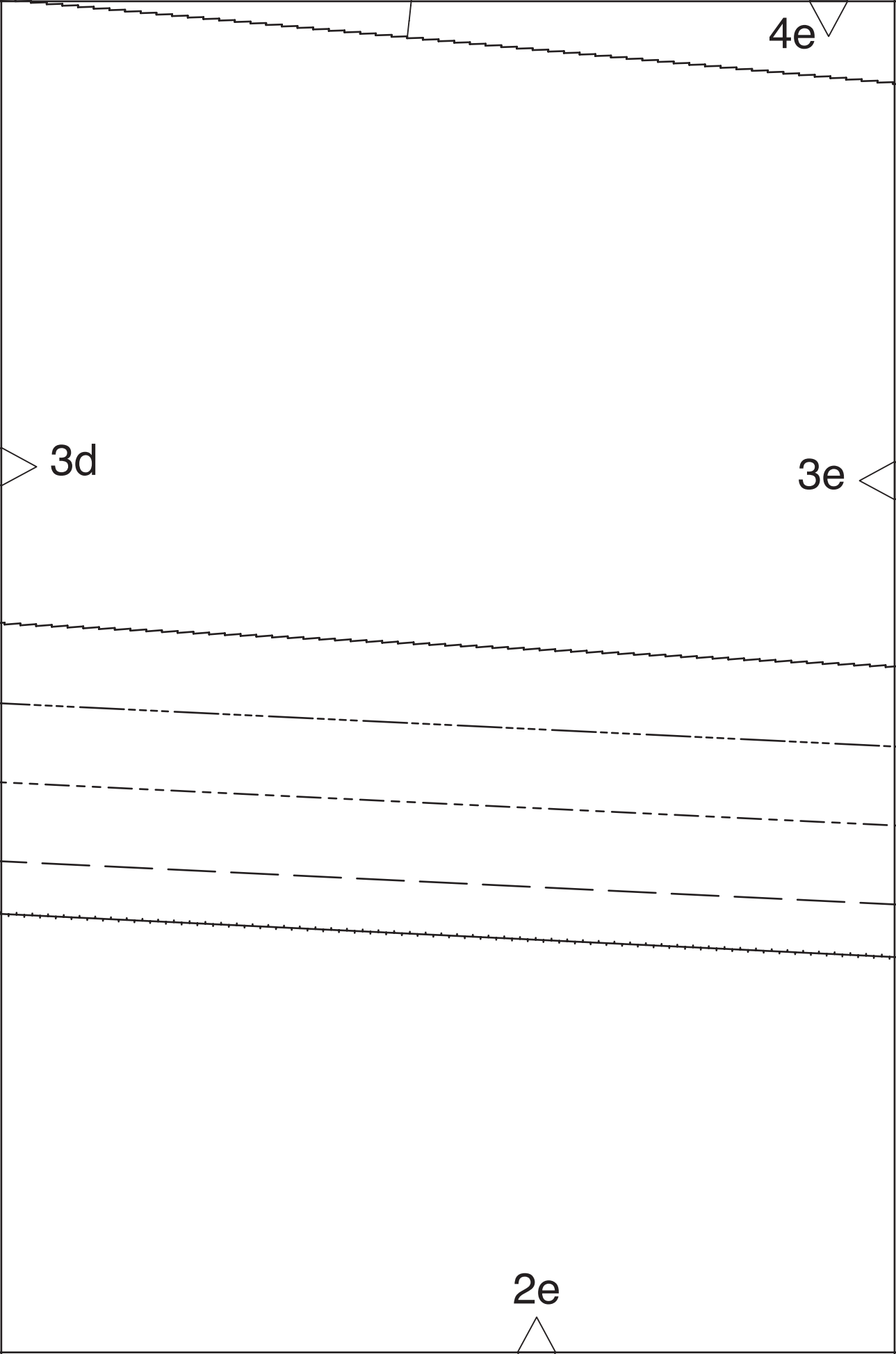


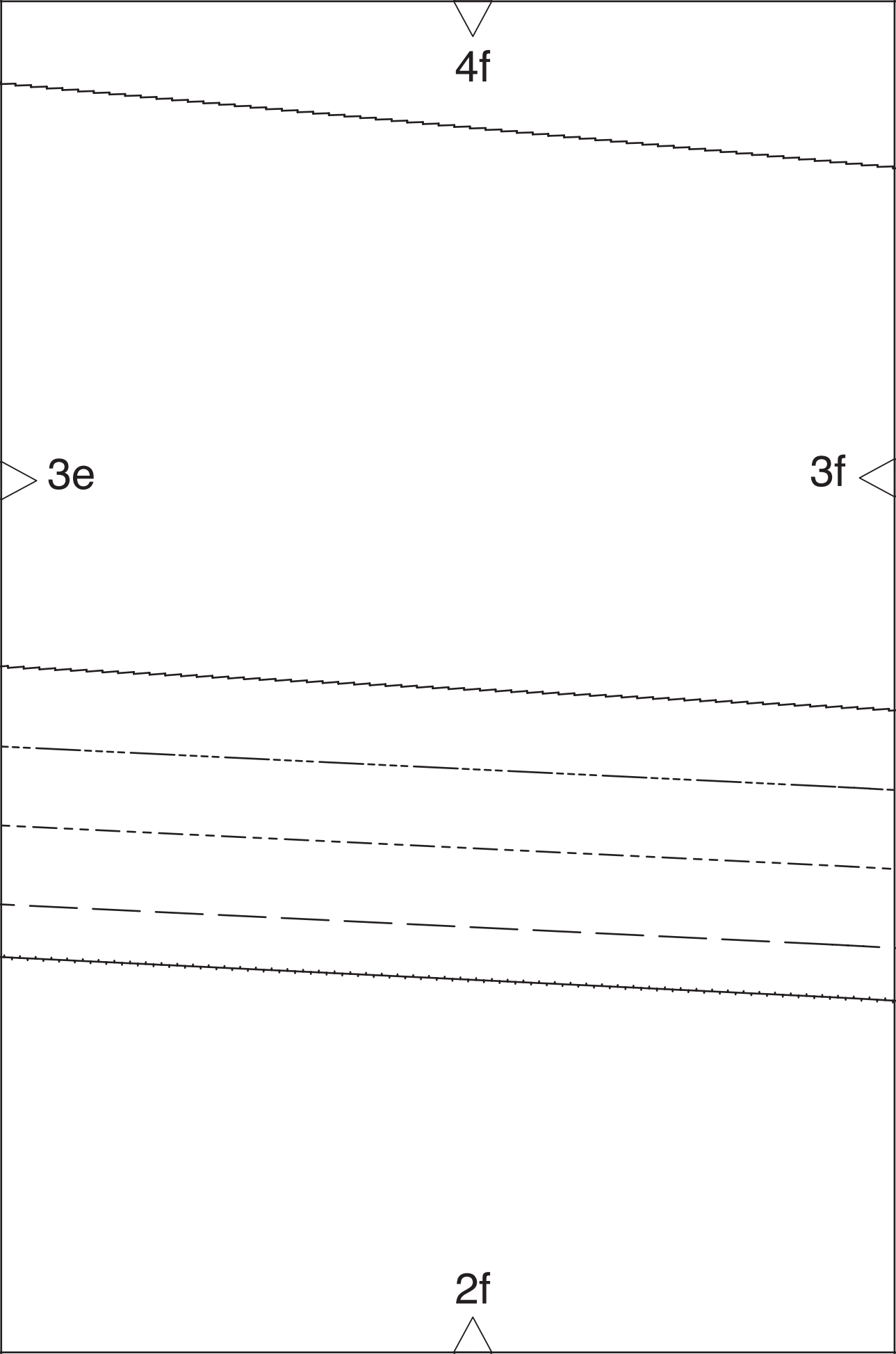
4e

3d

3e

2e



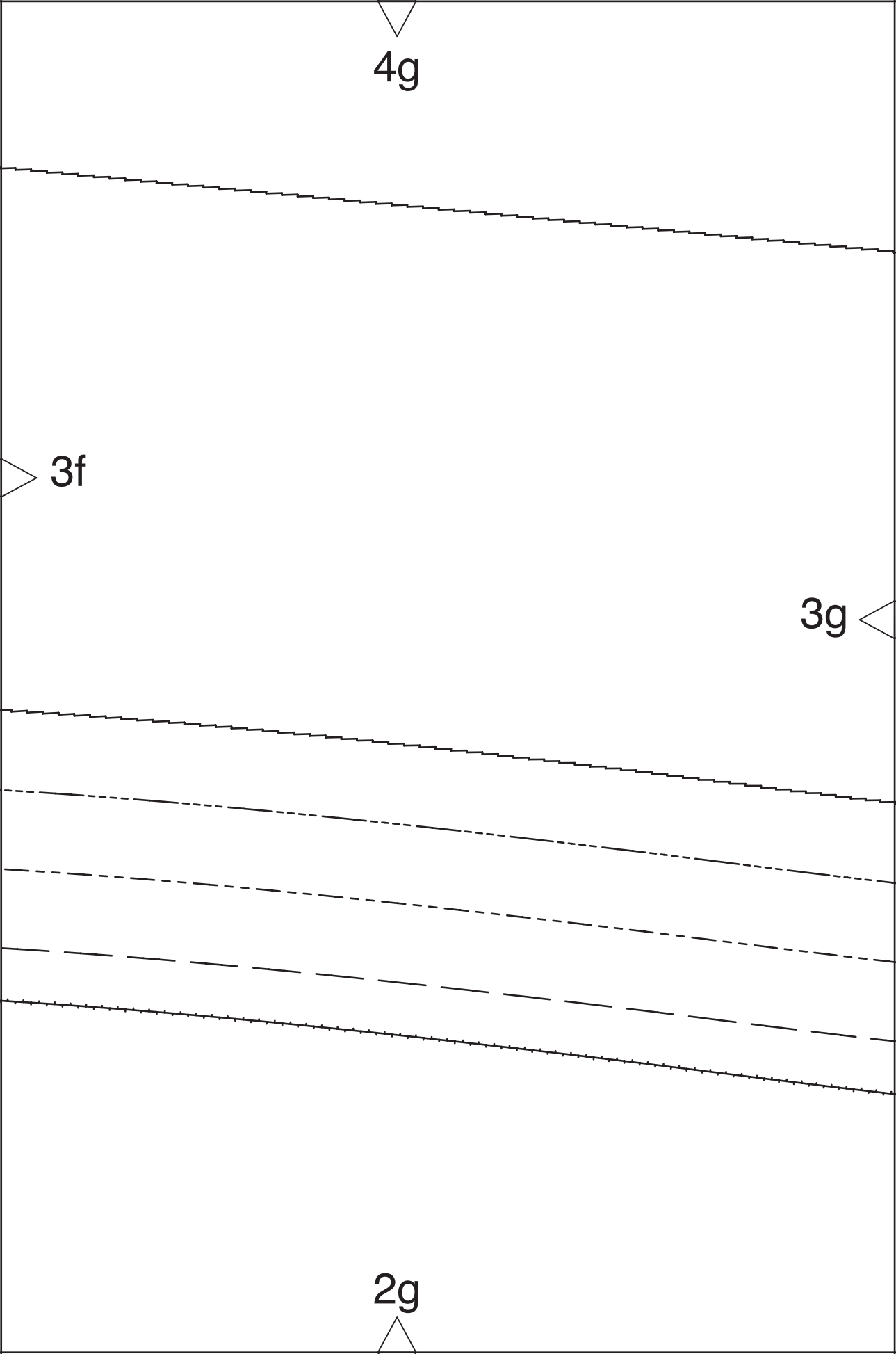


4g

3f

3g

2g

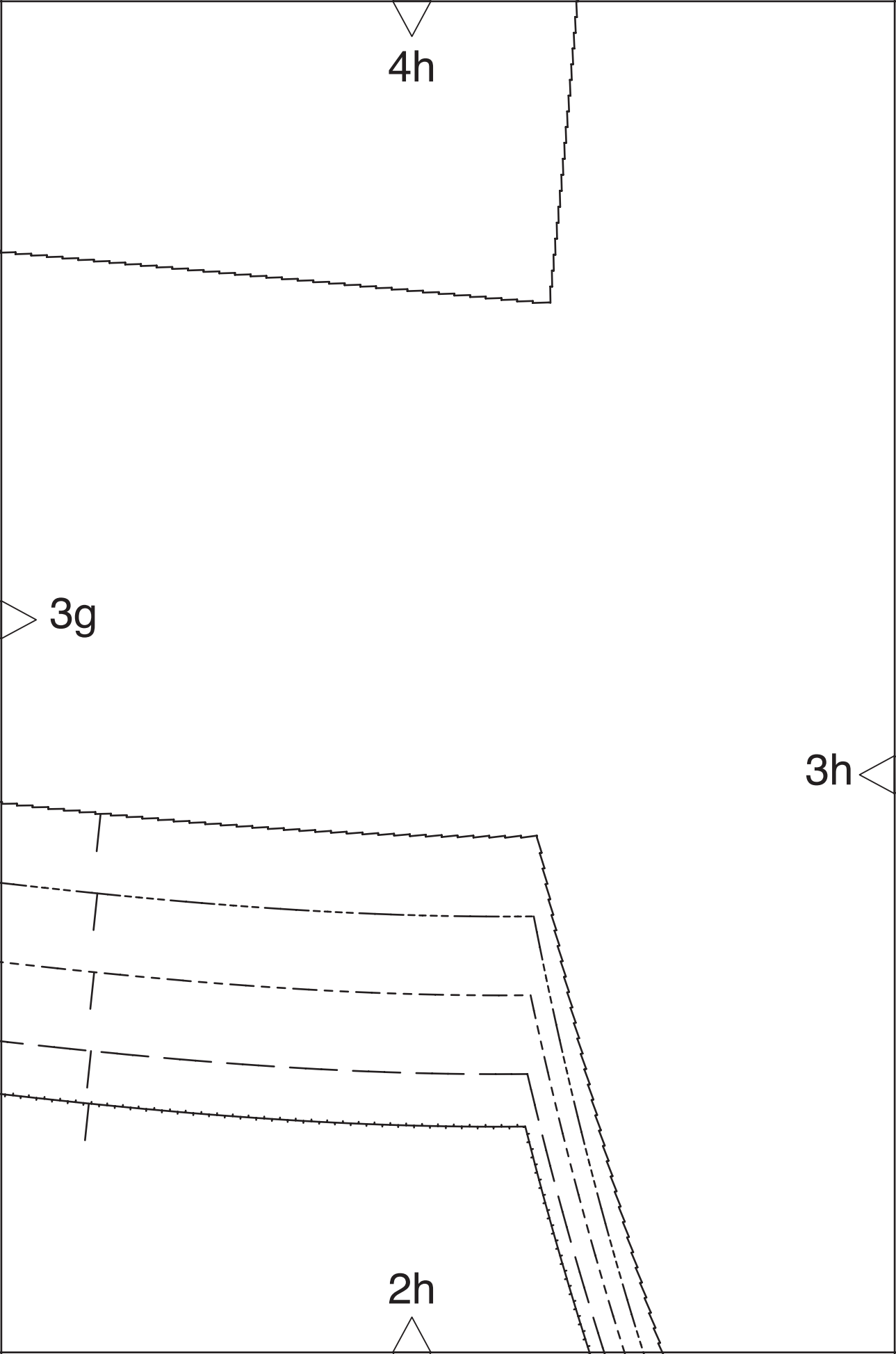


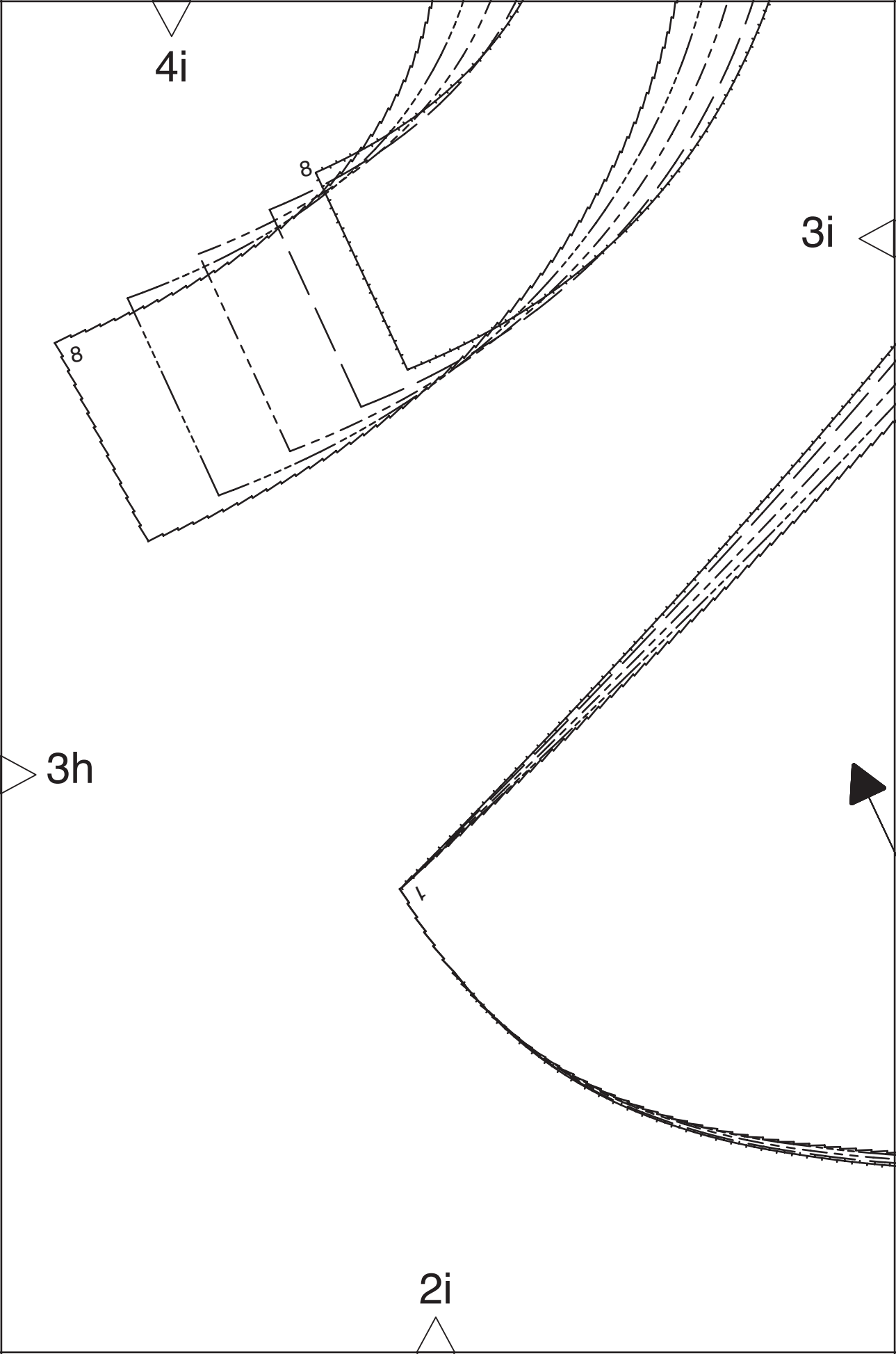
4h

3g

3h

2h





4j

3j

3i

22

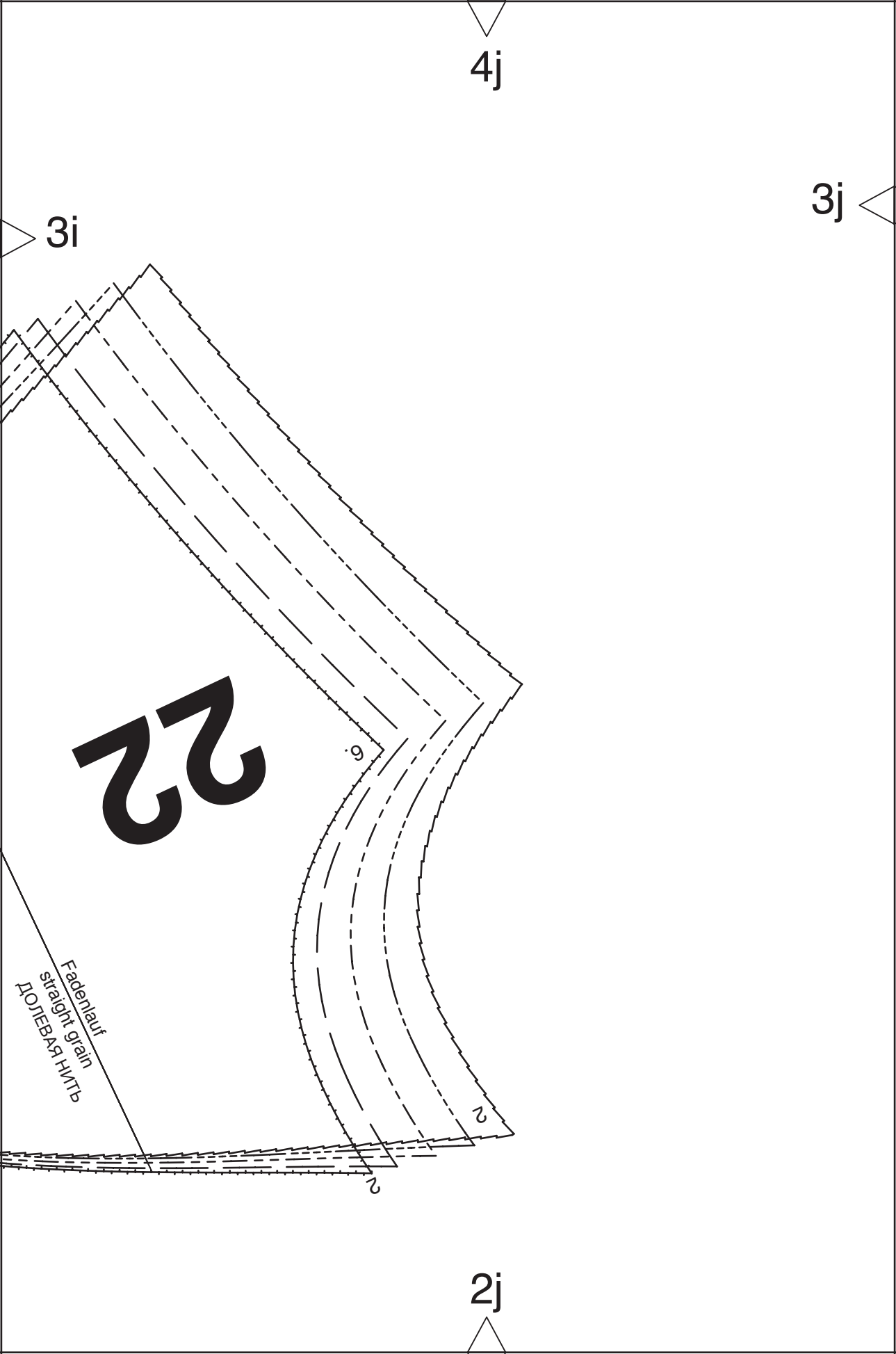
Fadenlauf  
straight grain  
ДОЛБАВЯ НИТЬ

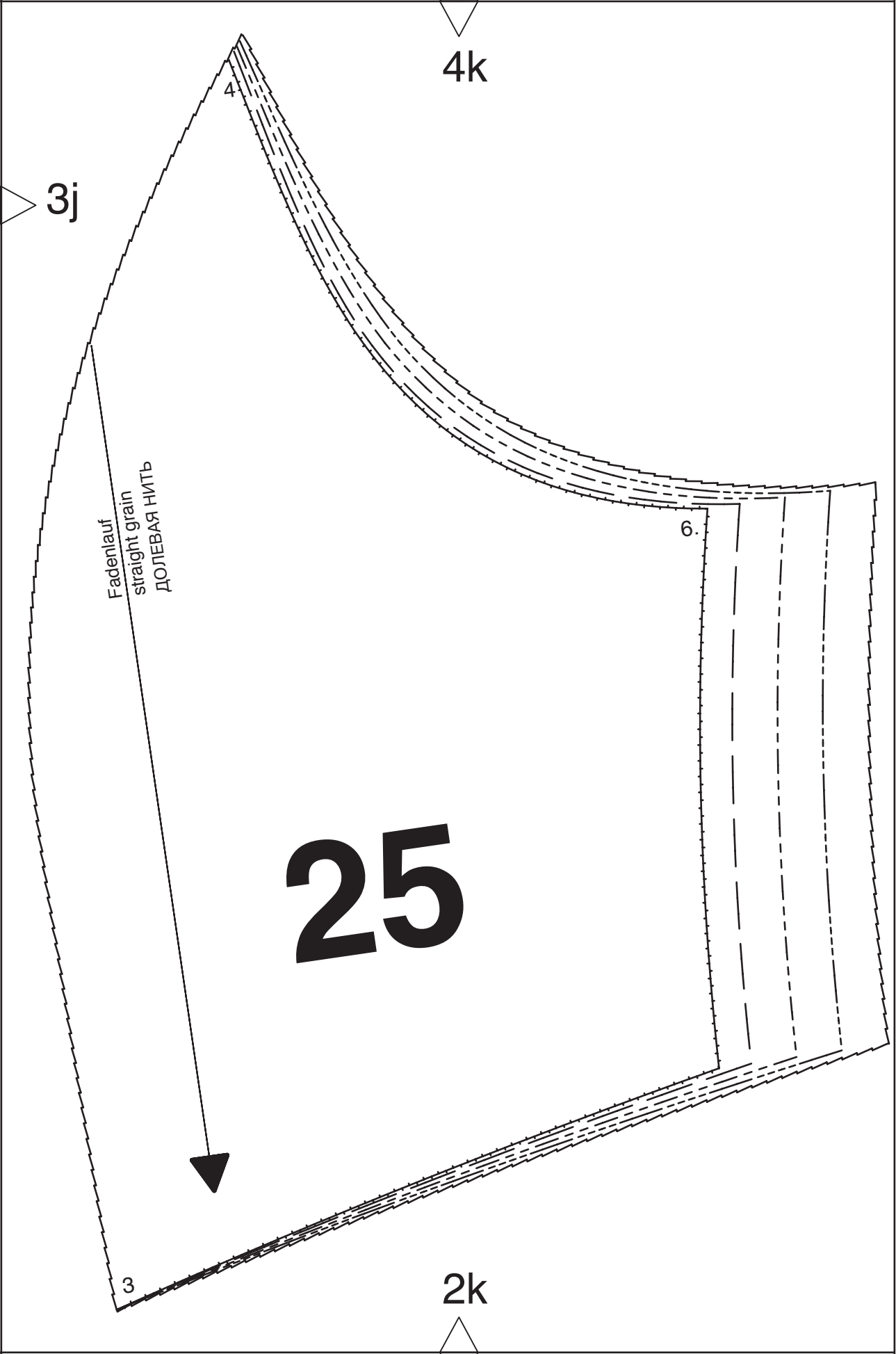
6

2

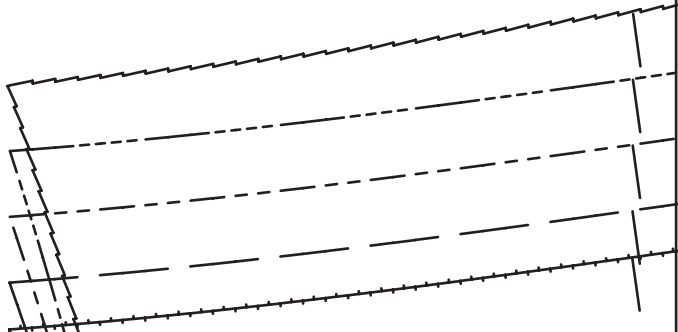
2

2j

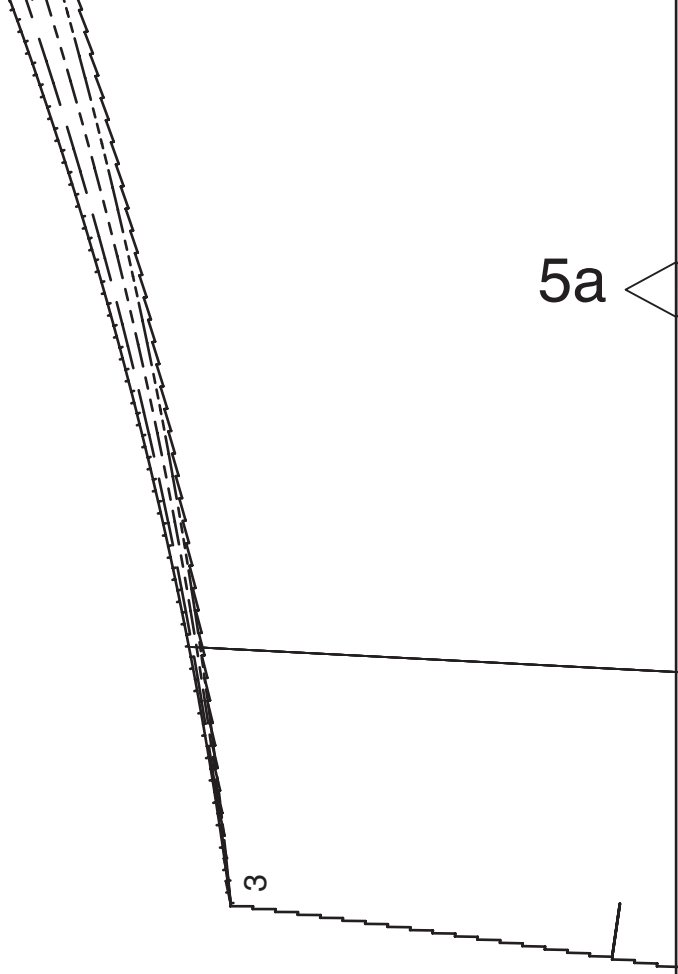




6a



5a



3

4a





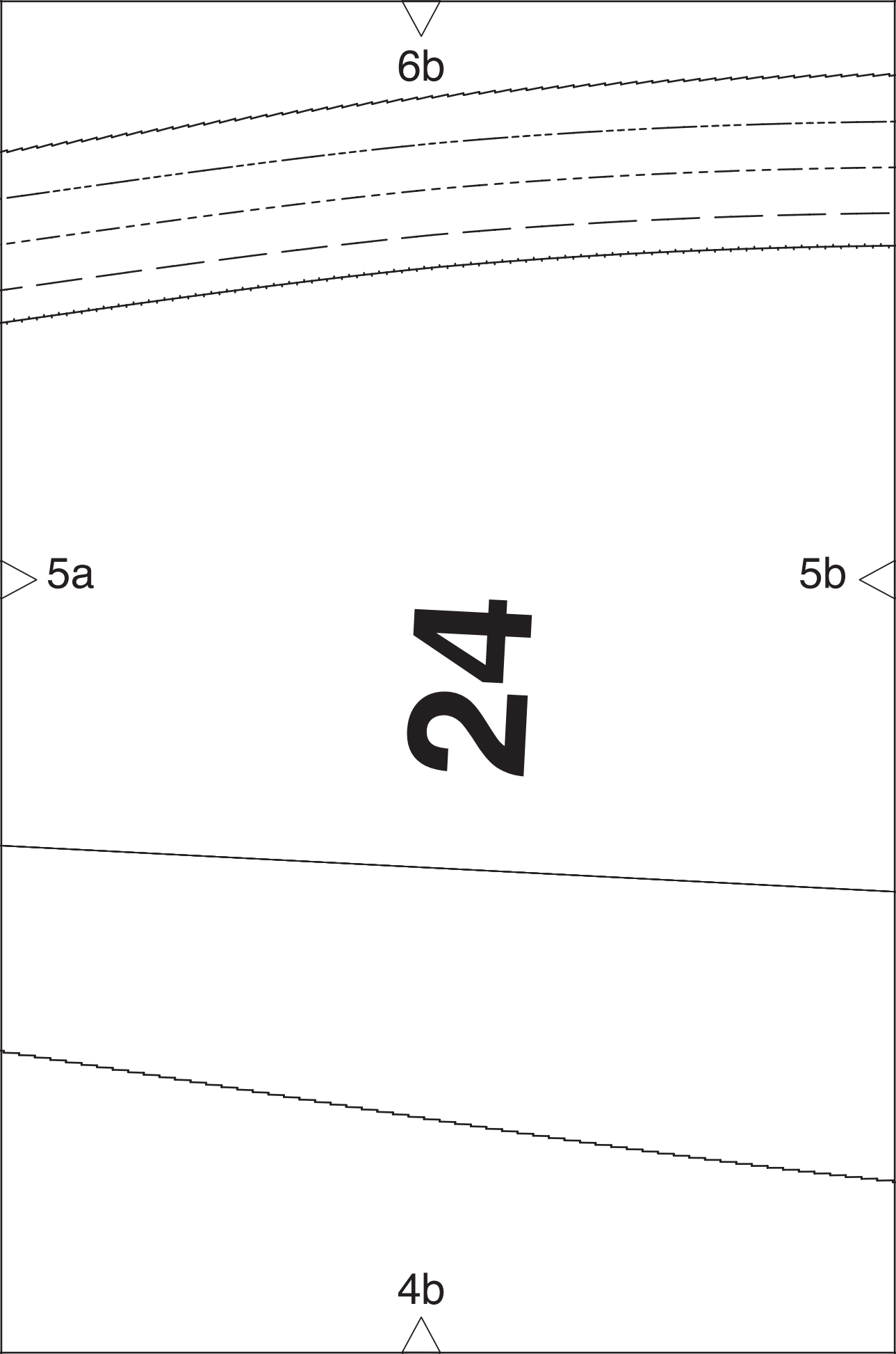
6b

5a

5b

24

4b





A diagram showing a rectangular frame with four labels: '6c' at the top center, '5b' on the left side, '5c' on the right side, and '4c' at the bottom center. Each label is accompanied by a small triangle pointing towards the center of the frame. The frame is divided into several horizontal sections by lines of varying styles: a solid line at the top, followed by two dashed lines, a dotted line, a large empty central space, a solid line, and a jagged line at the bottom.

6c

5b

5c

4c

6d

5c

5d

Fadenlauf  
straight grain  
ДОЛБЕВАЯ НИТЬ

4d

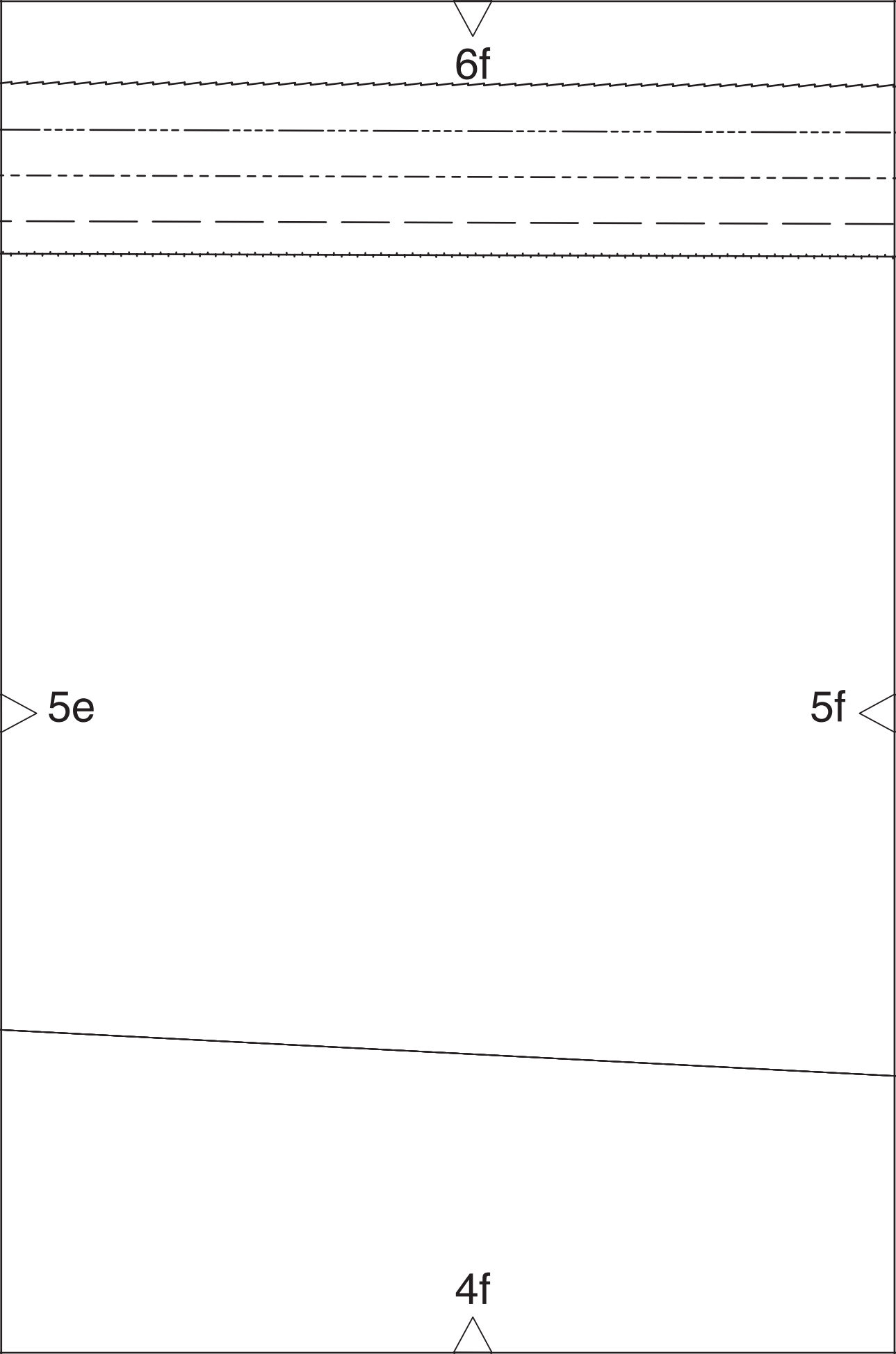
6e

5d

Mod. 132

5e

4e



$6f$

$5e$

$5f$

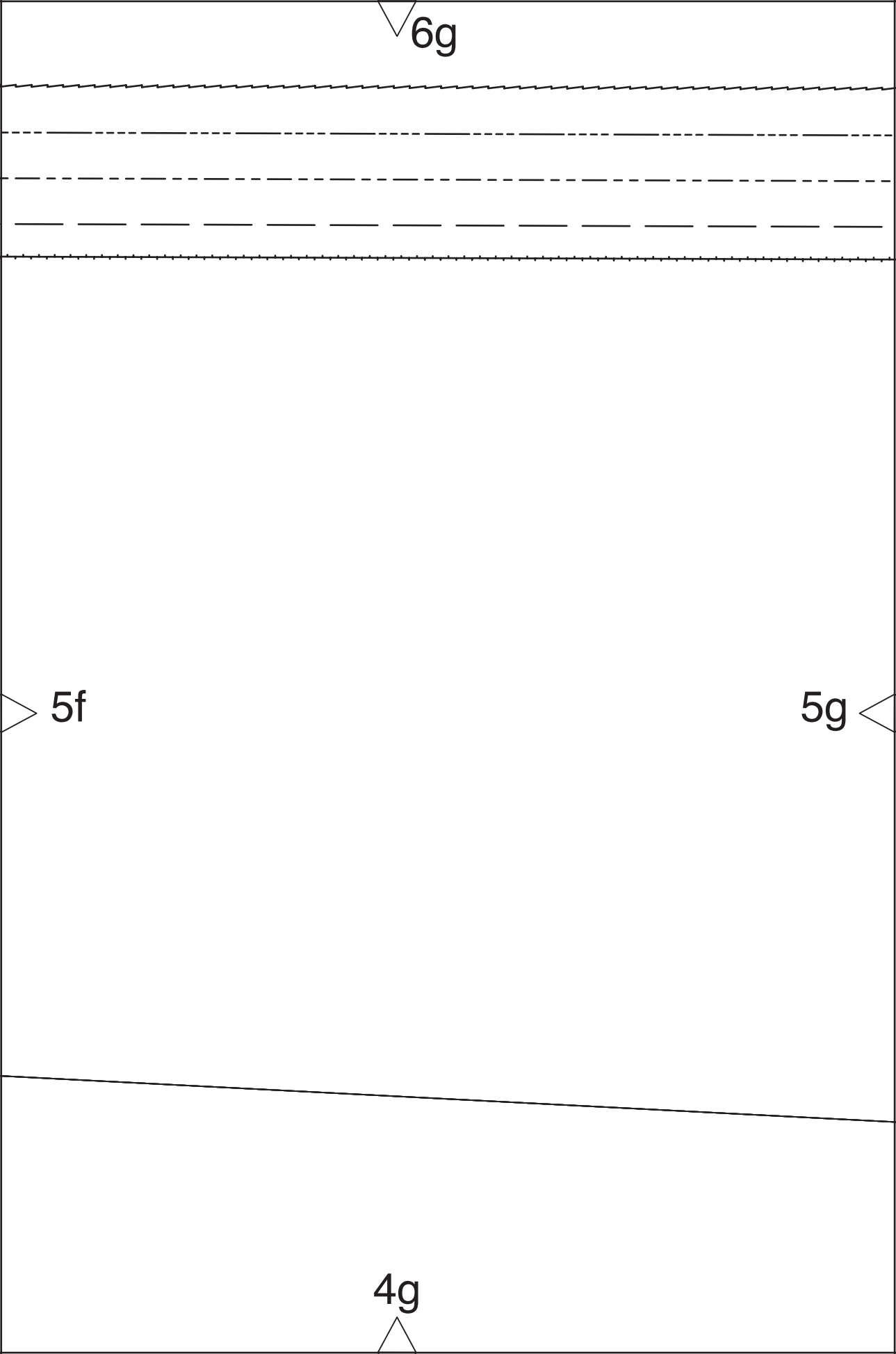
$4f$

6g

5f

5g

4g



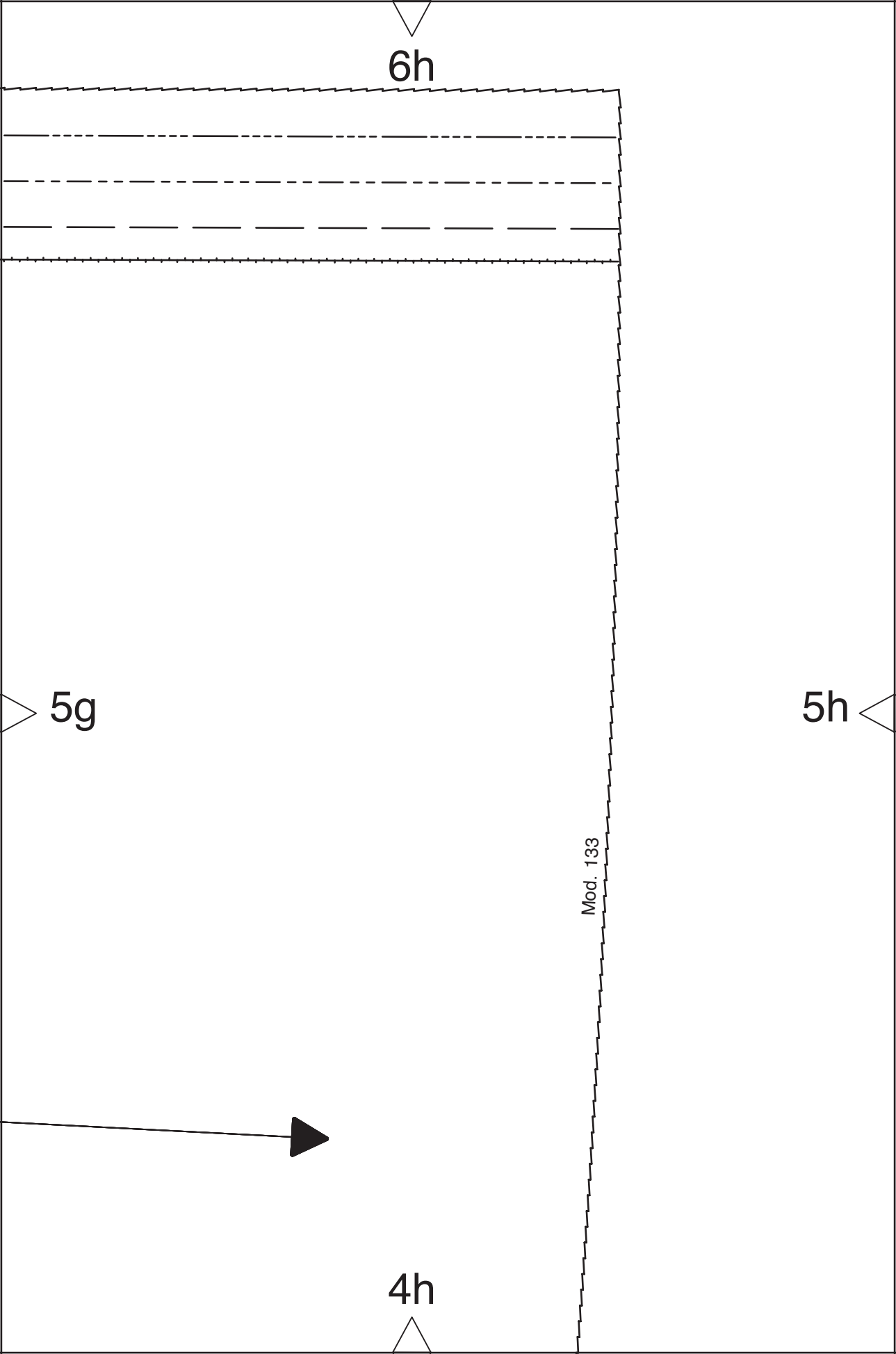
6h

5g

5h

Mod. 133

4h



6i

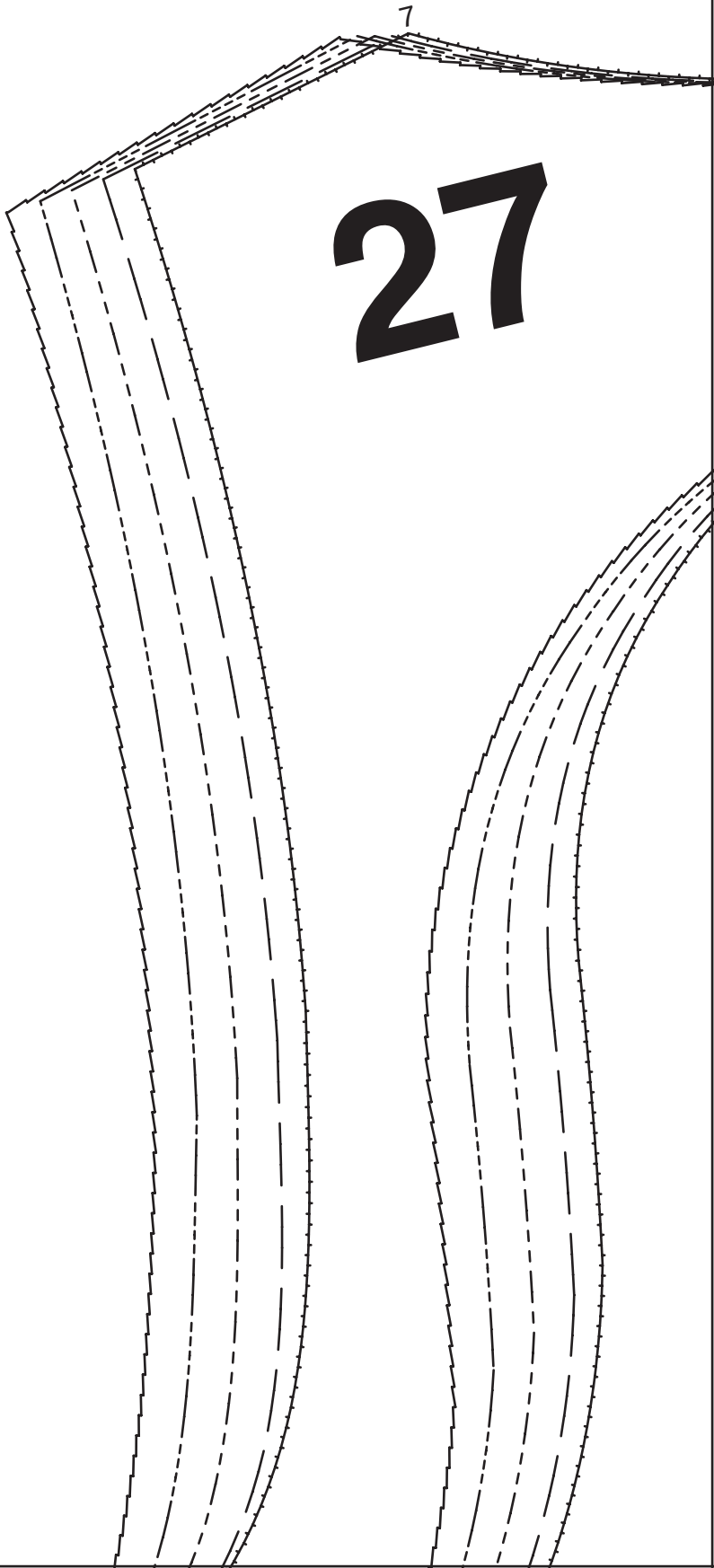
5i

7

27

5h

4i





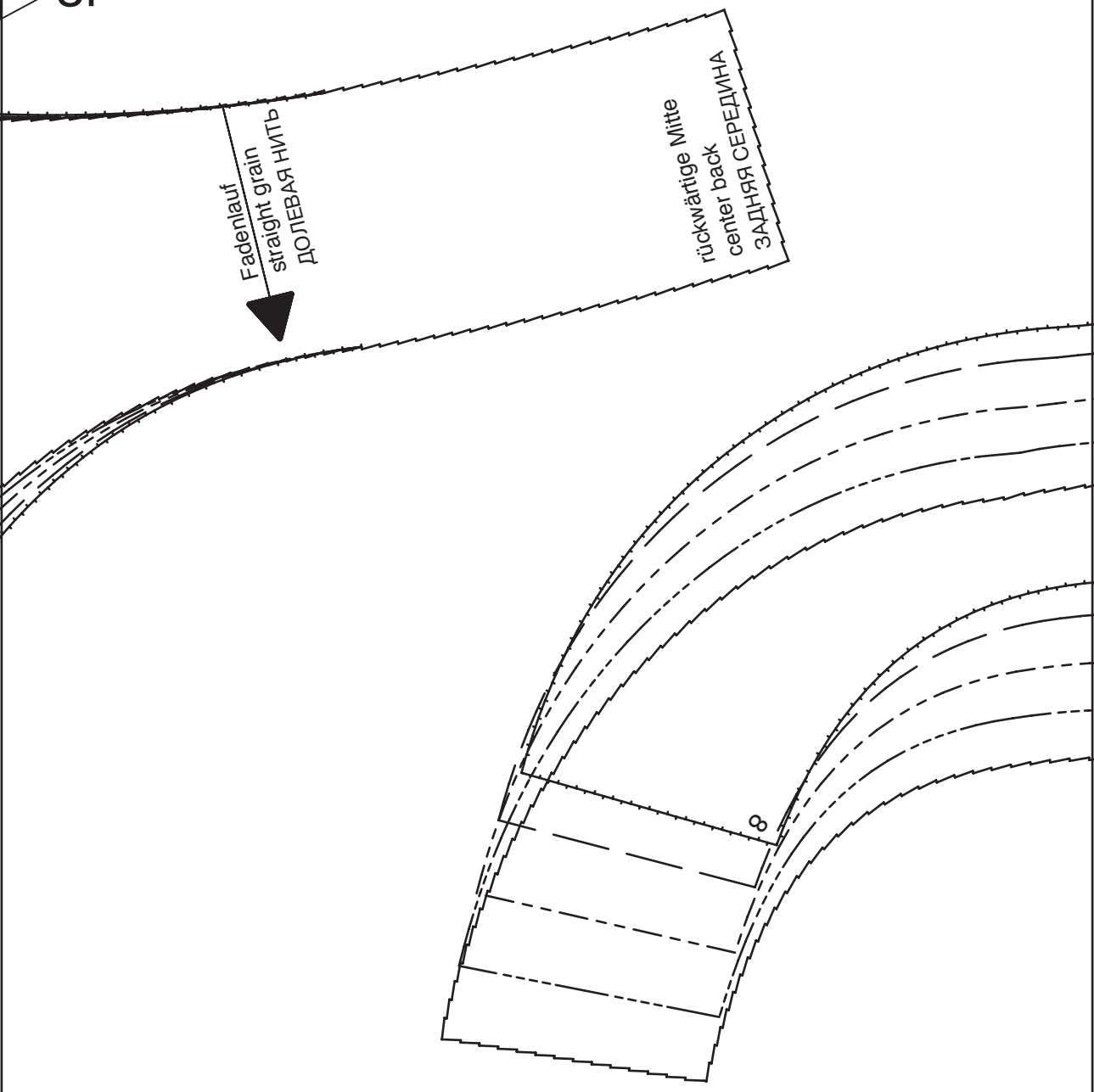
5i

6j

Fadenlauf  
straight grain  
ДОЛЕВАЯ НИТЬ



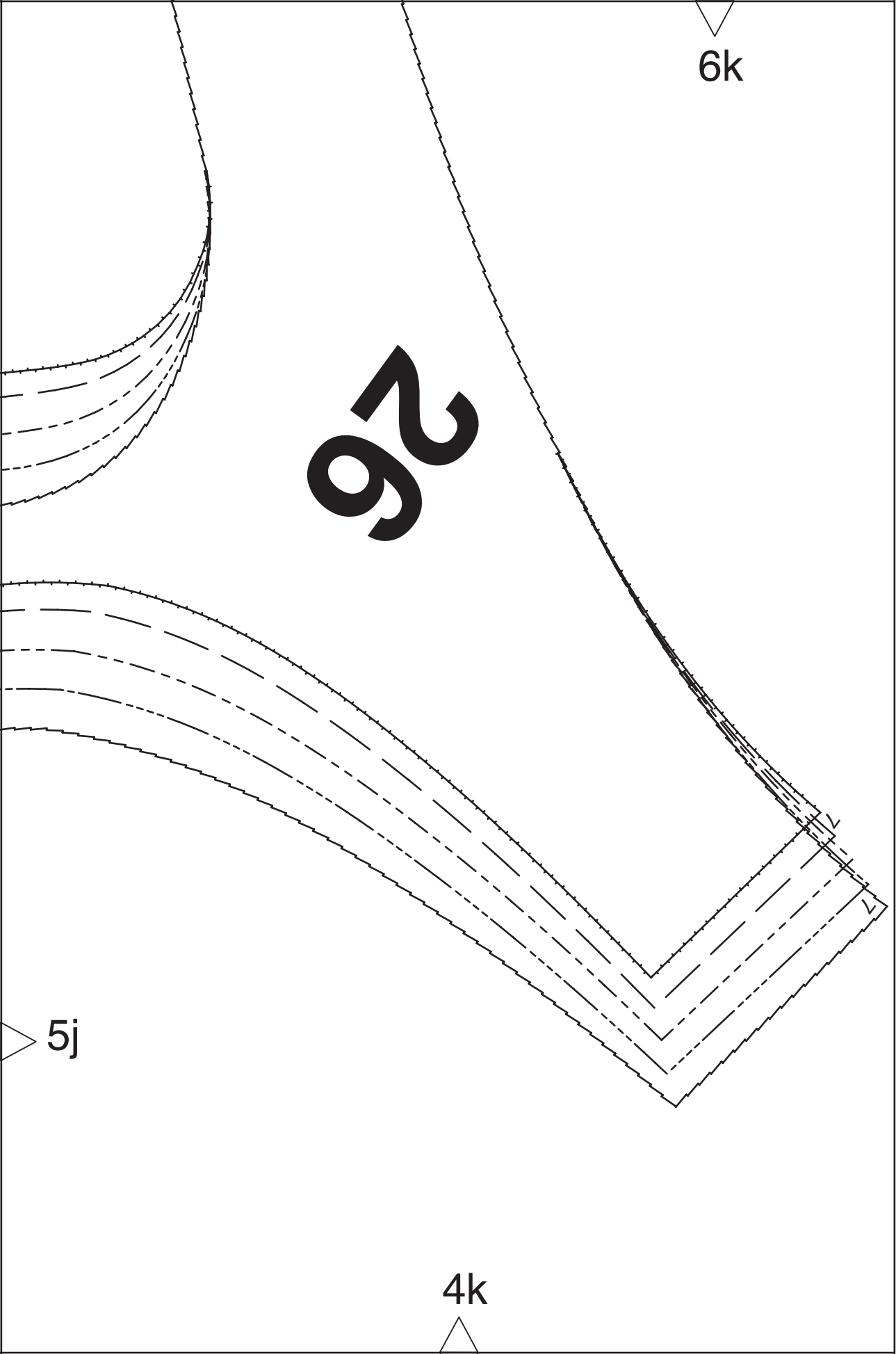
rückwärtige Mitte  
center back  
ЗАДНЯЯ СЕРЕДИНА

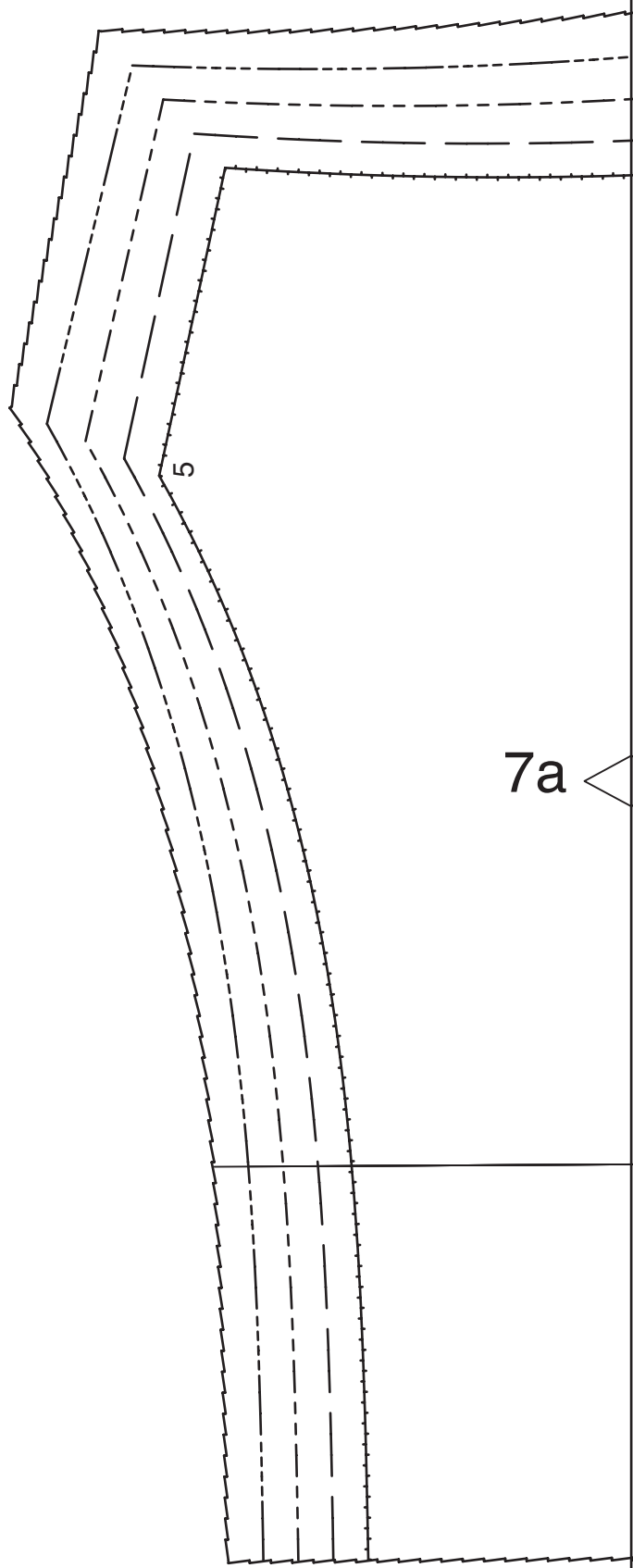


8

5j

4j

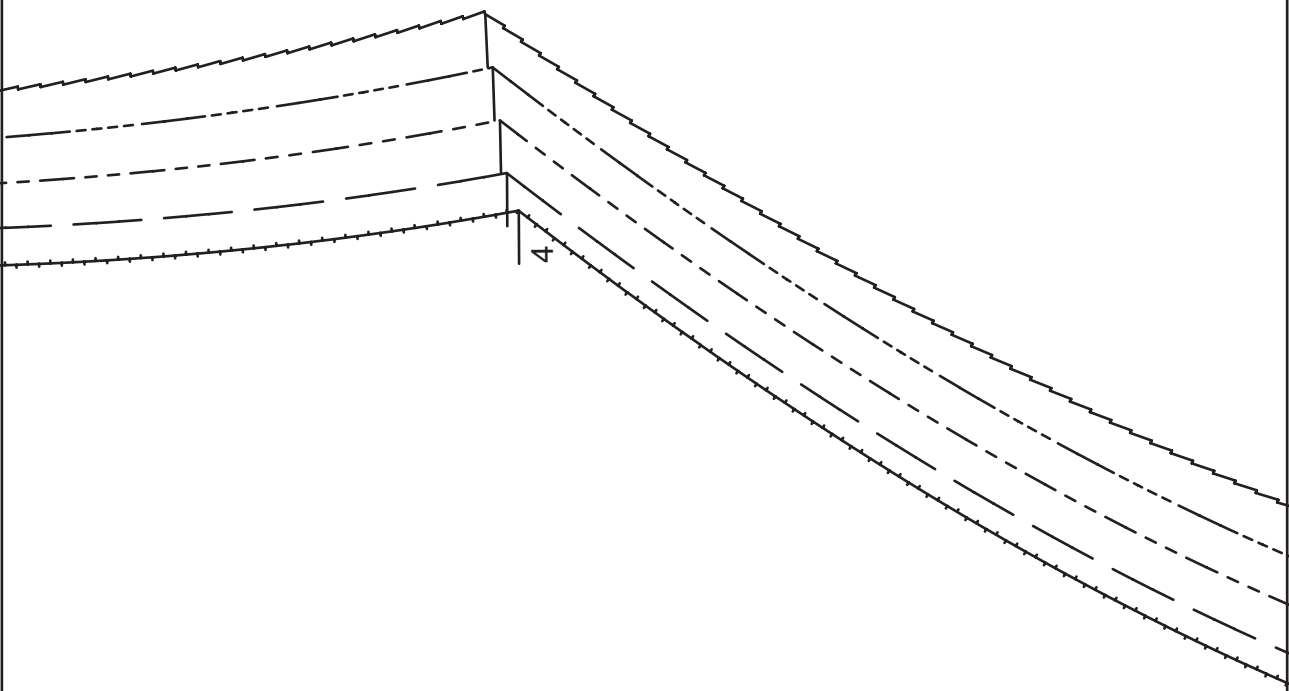




5

7a

6a



4

7a

23

7b

Reißverschluss  
zipper  
ЗАСТЕЖКА-МОЛНИЯ

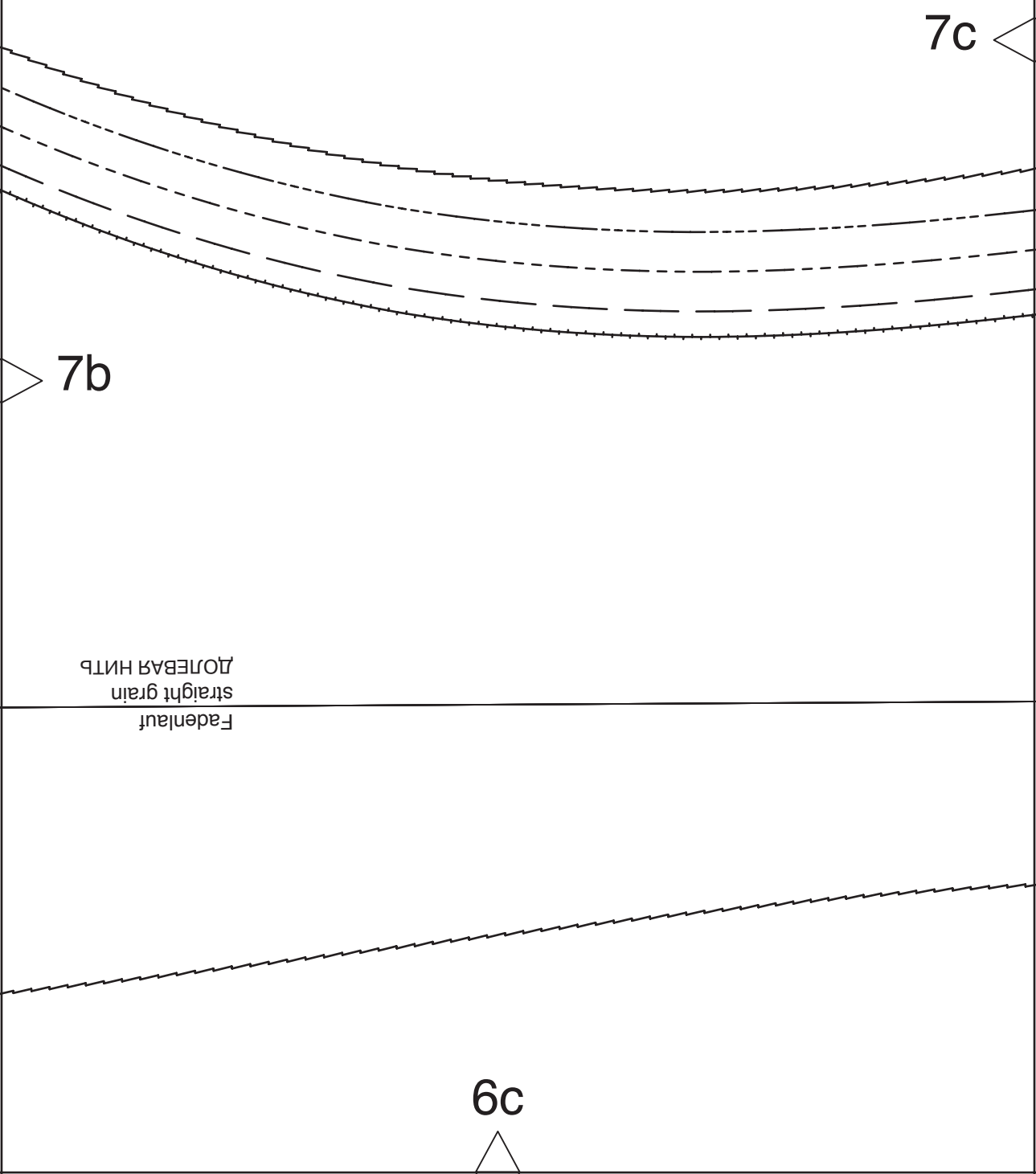
6b

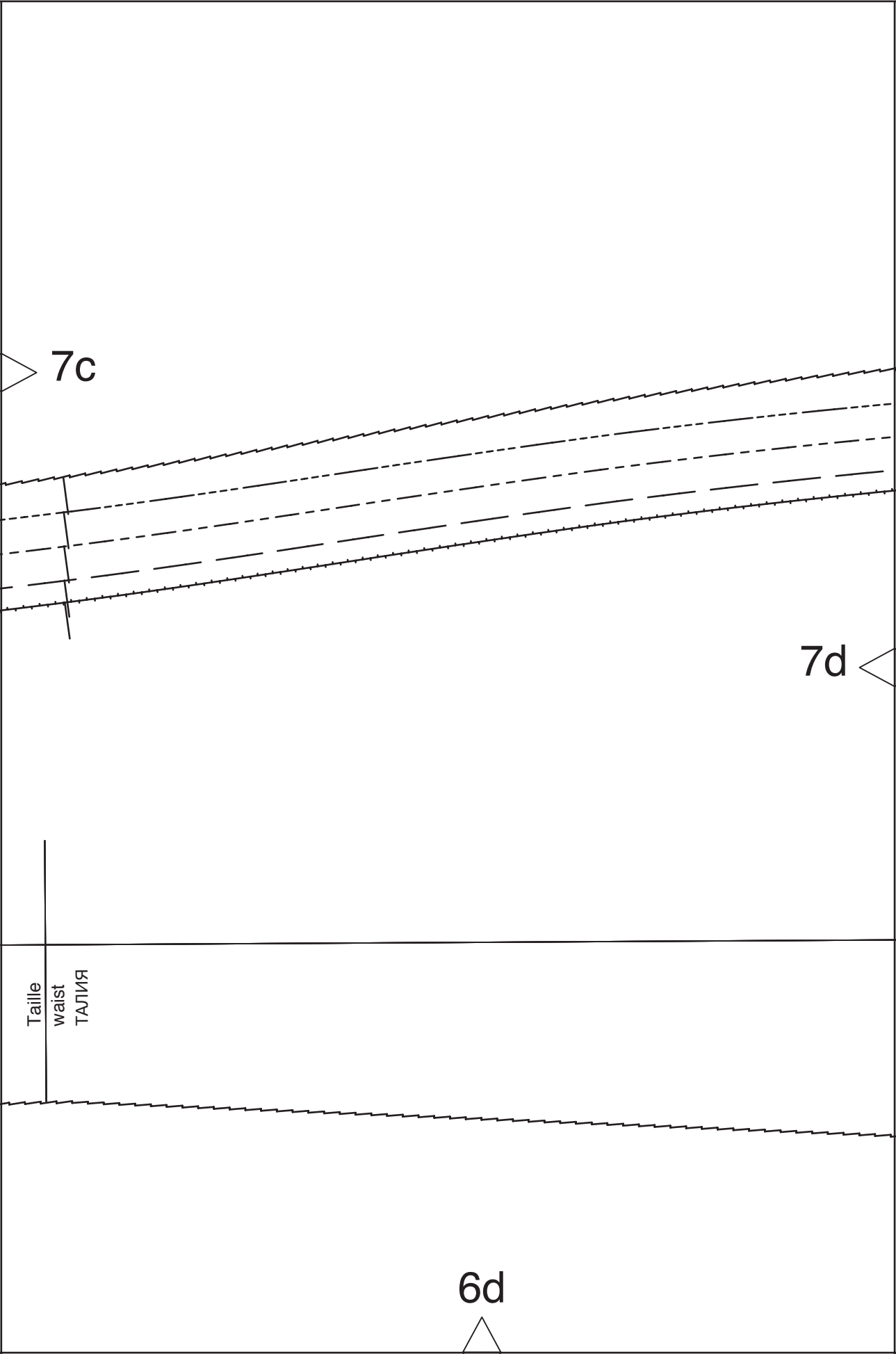
7c

7b

Fadenlauf  
straight grain  
ДОЛЖЕН БЫТЬ  
ПРЯМЫМ

6c



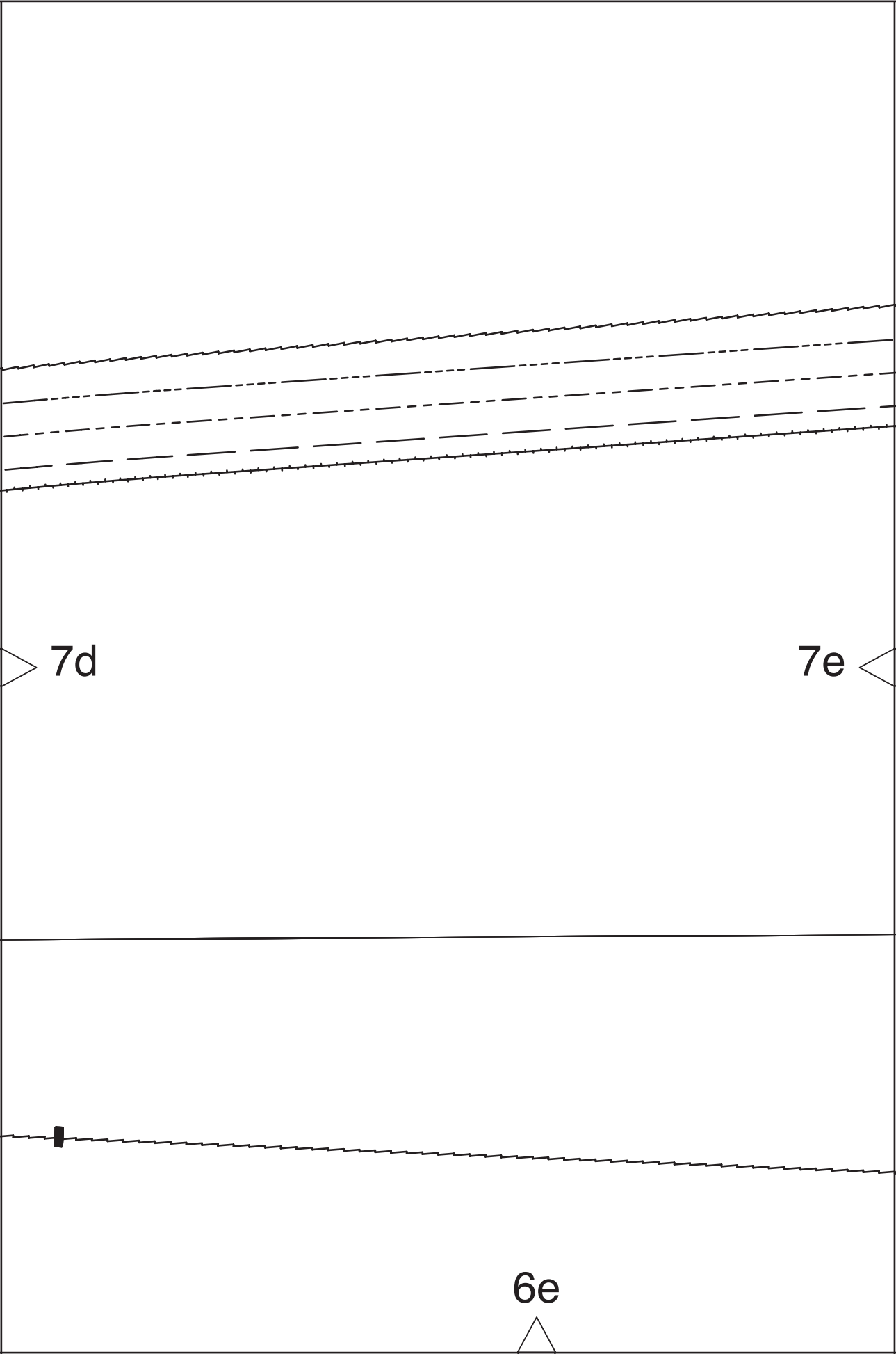


7c

7d

Taille  
waist  
ТАЛИЯ

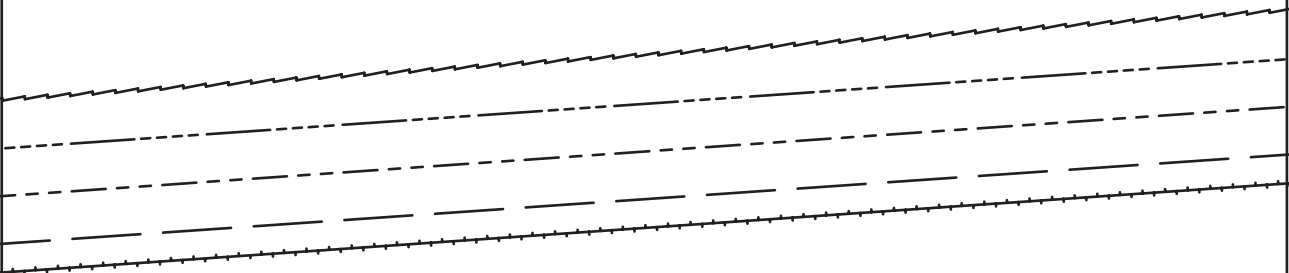
6d



7d

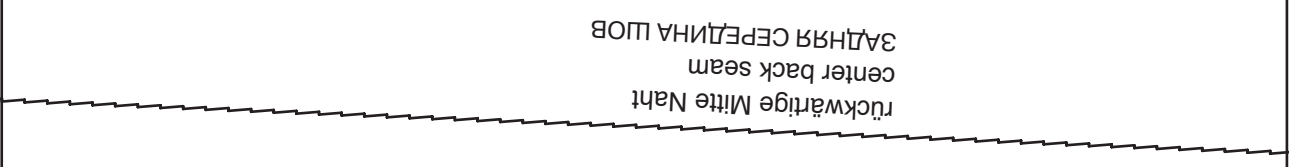
7e

6e



7e

7f

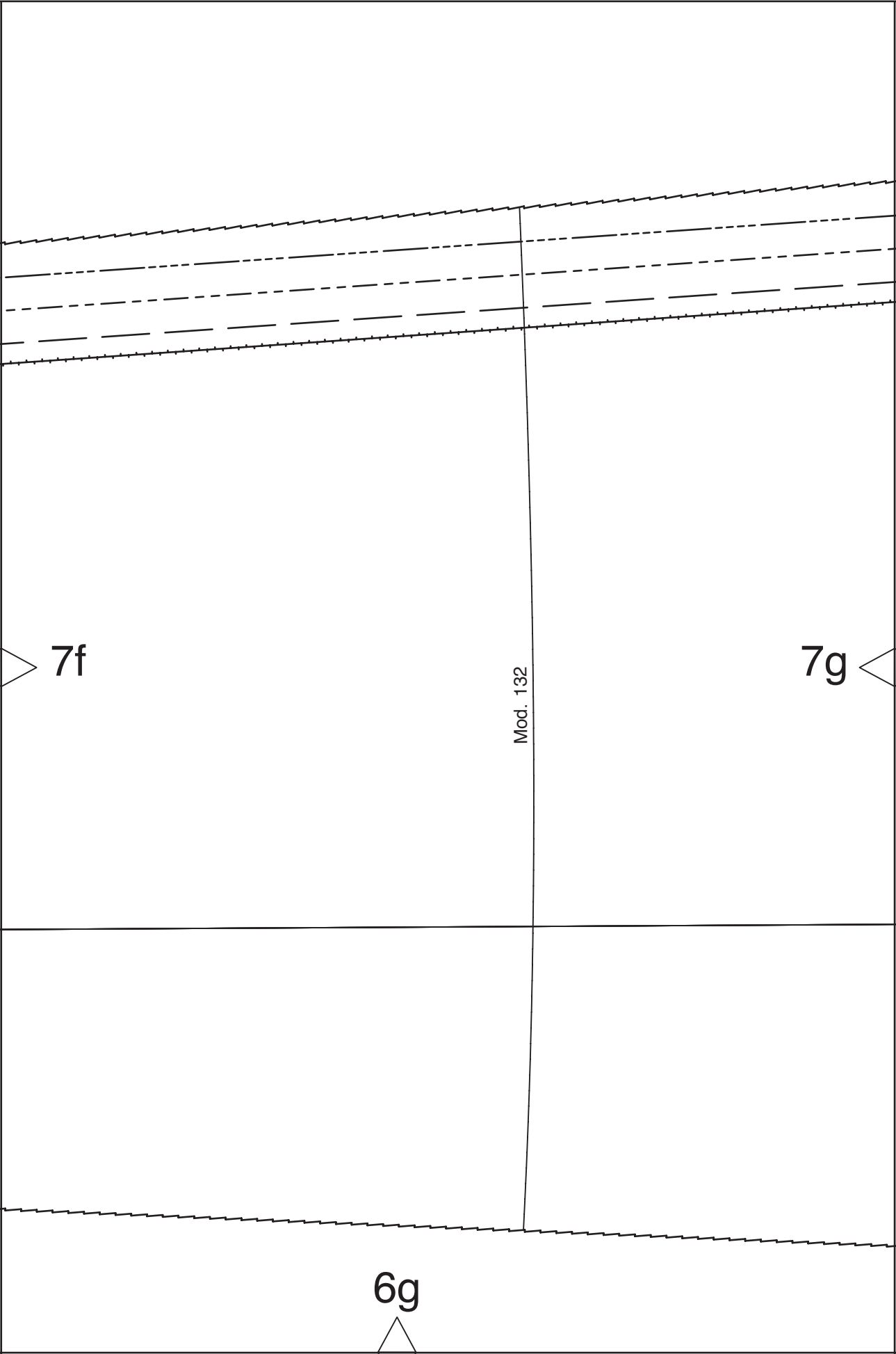


задняя середина шов  
center back seam  
rückwärtige Mitte Naht

6f





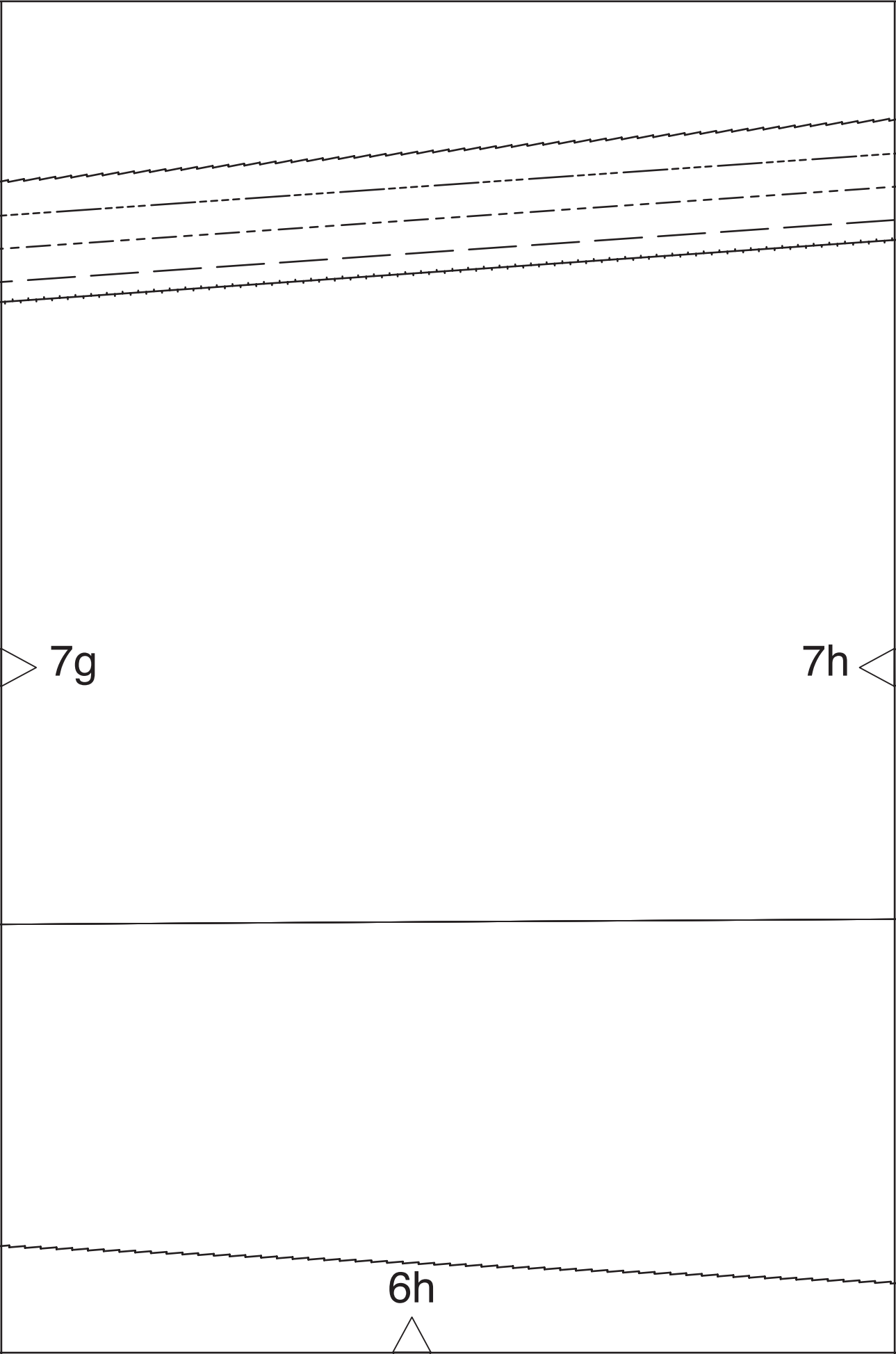


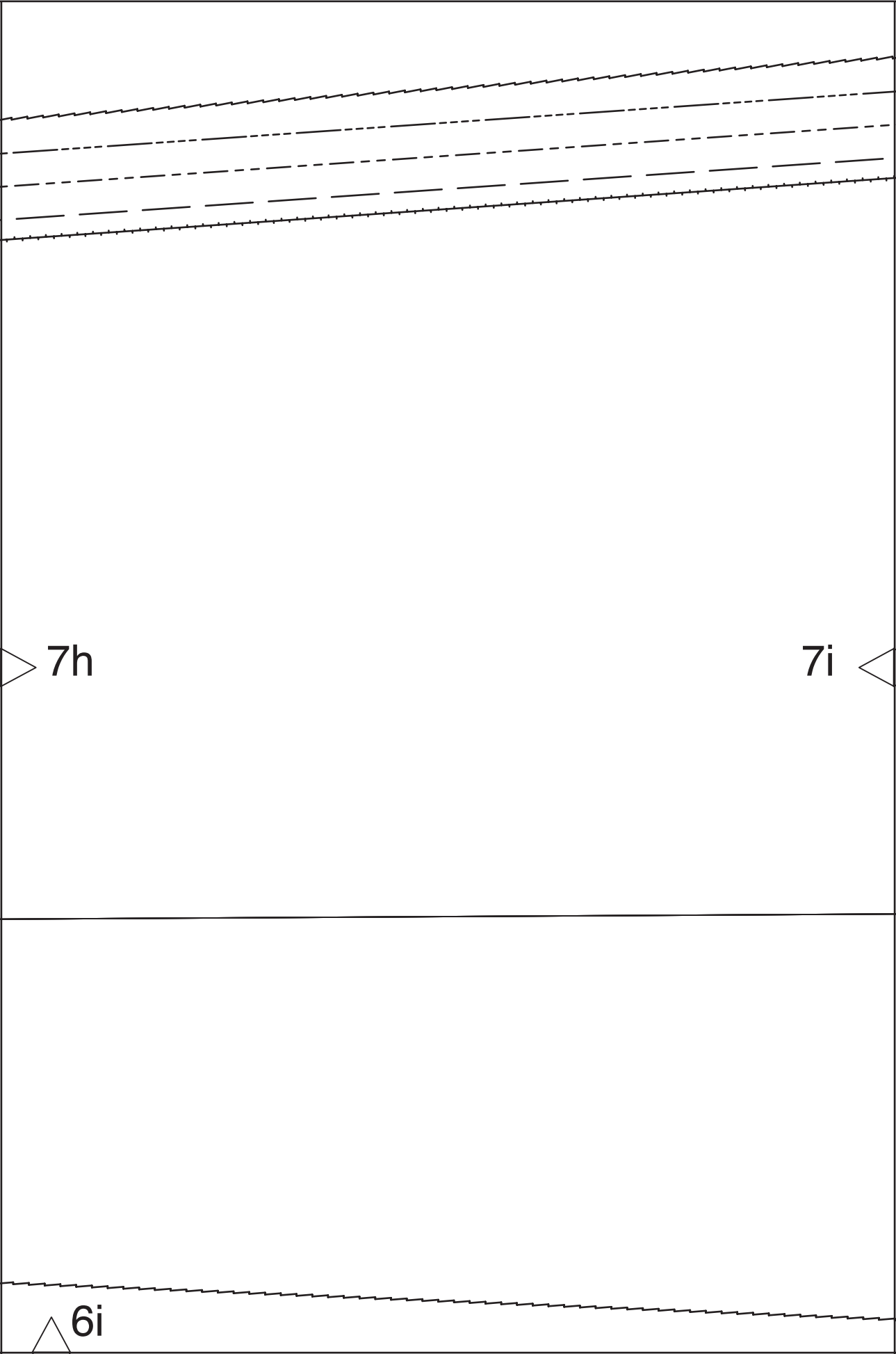
7f

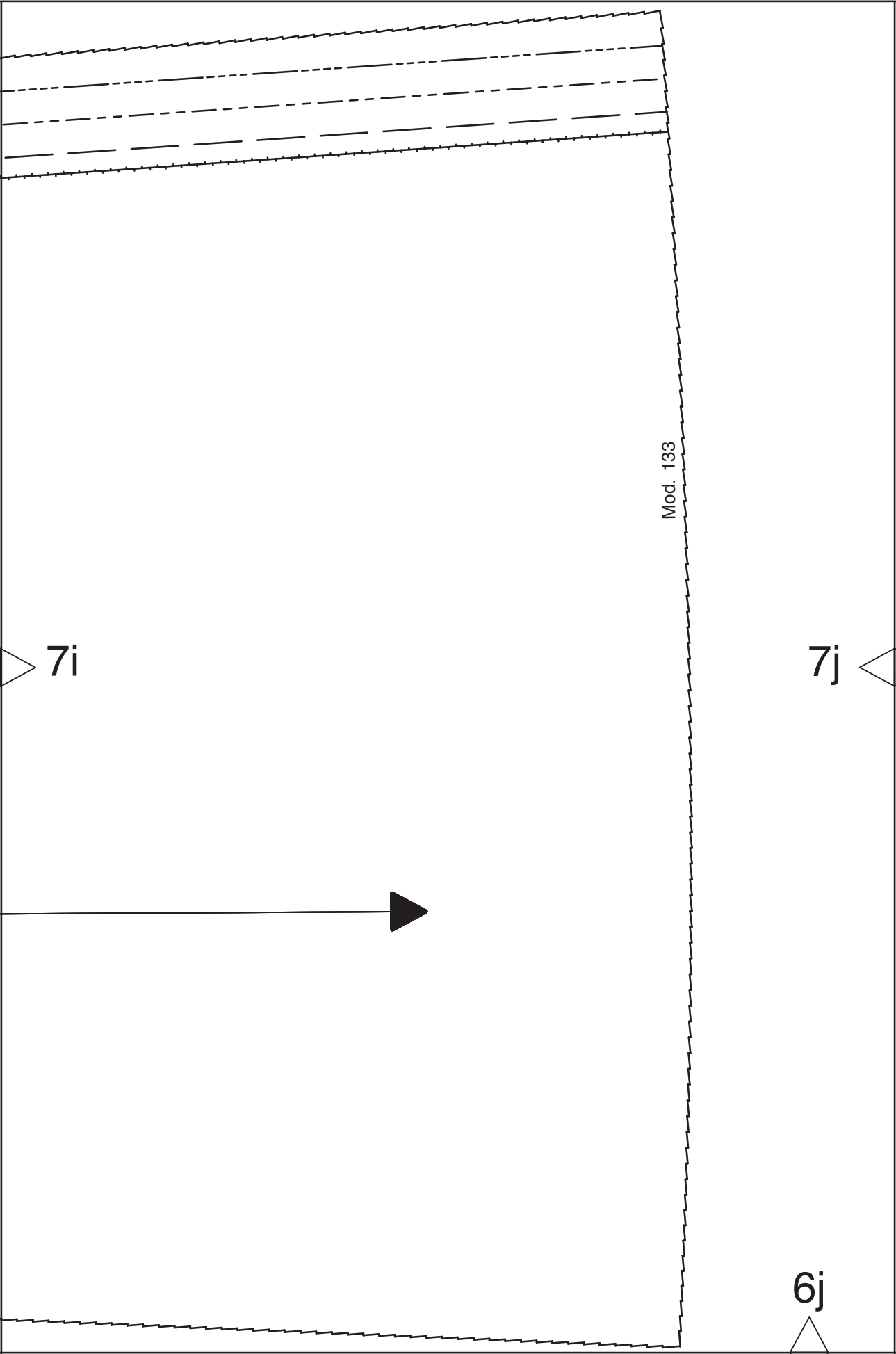
7g

Mod. 132

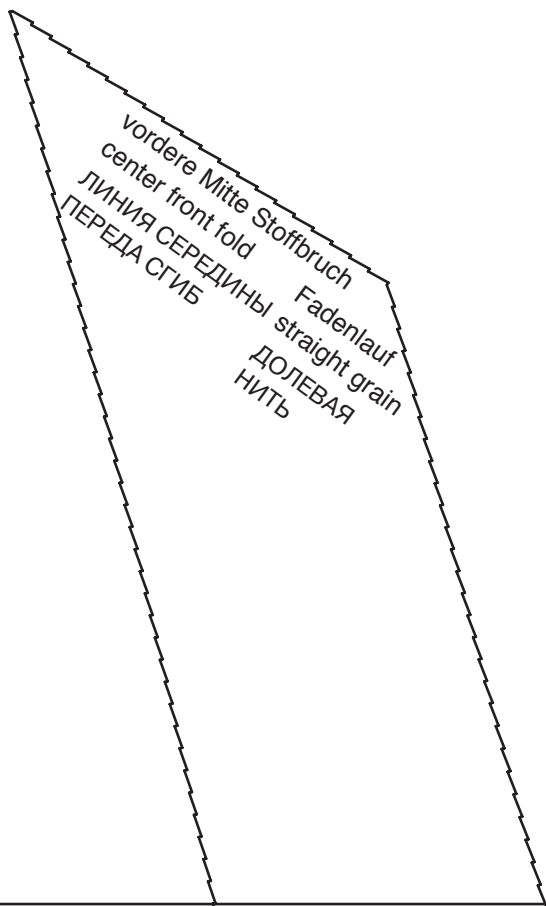
6g







7j



6k

