

sew

Issue 113 August 2018

ROSALIND TOP PATTERN

Use these guides to get started today

PRINT
OUT
& KEEP

IN YOUR PRINT MENU, UNDER SIZE OPTIONS, BE SURE TO SELECT TO PRINT 'ACTUAL SIZE', INSTEAD OF 'FIT TO PAGE'

Title: Rosalind top
Designer: Fiona Hesford
Magazine page: 22



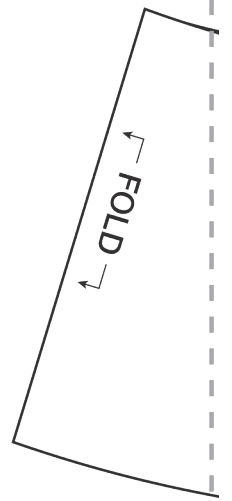
© ACEVILLE PUBLICATIONS LTD | SEWMAG.CO.UK

All projects, templates and patterns are for personal home use only and cannot be sold or used for commercial purposes.

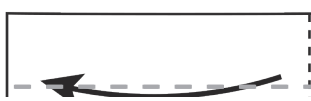
sew sewmag.co.uk

1

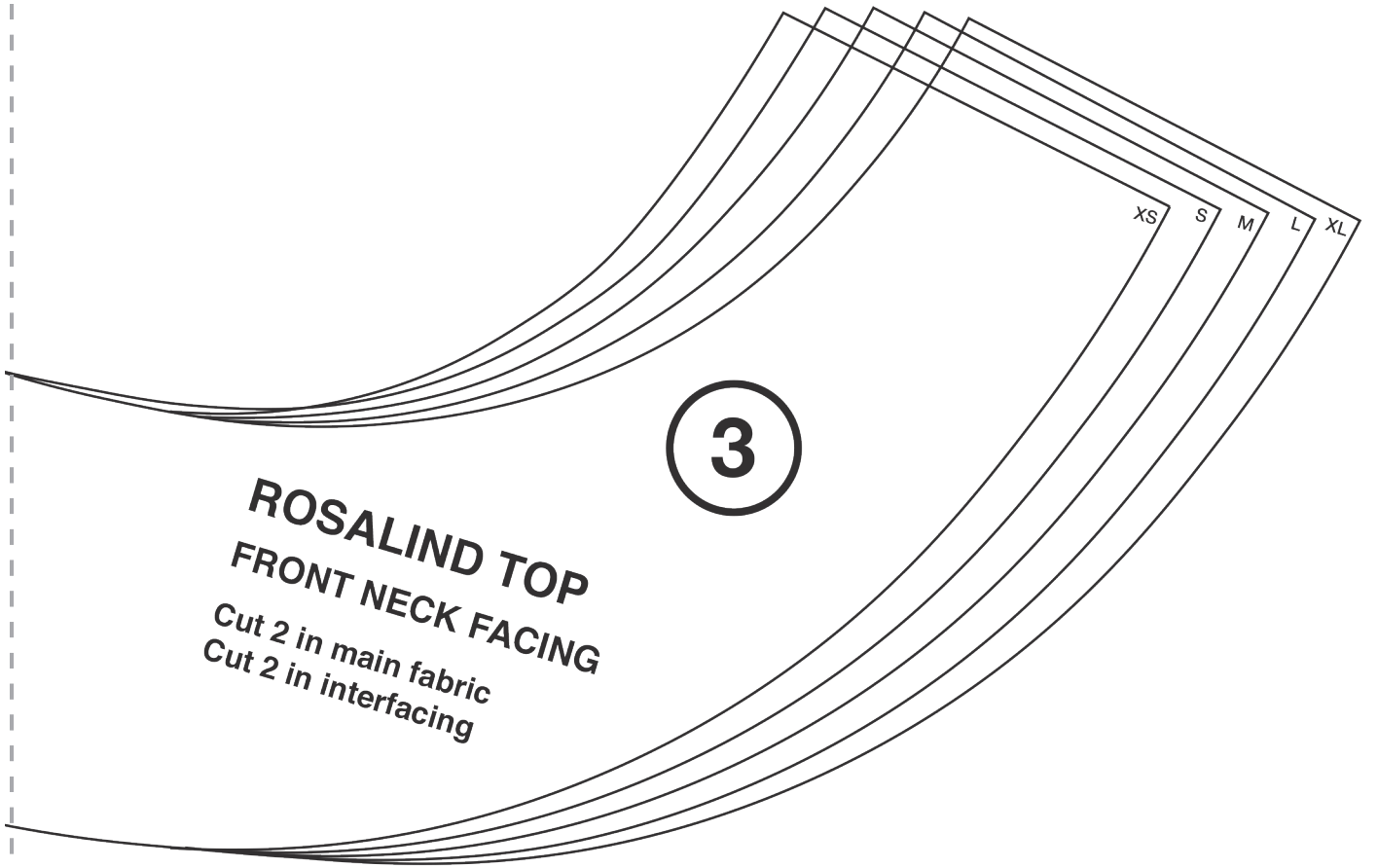
TEST SQUARE
10CM X 10CM



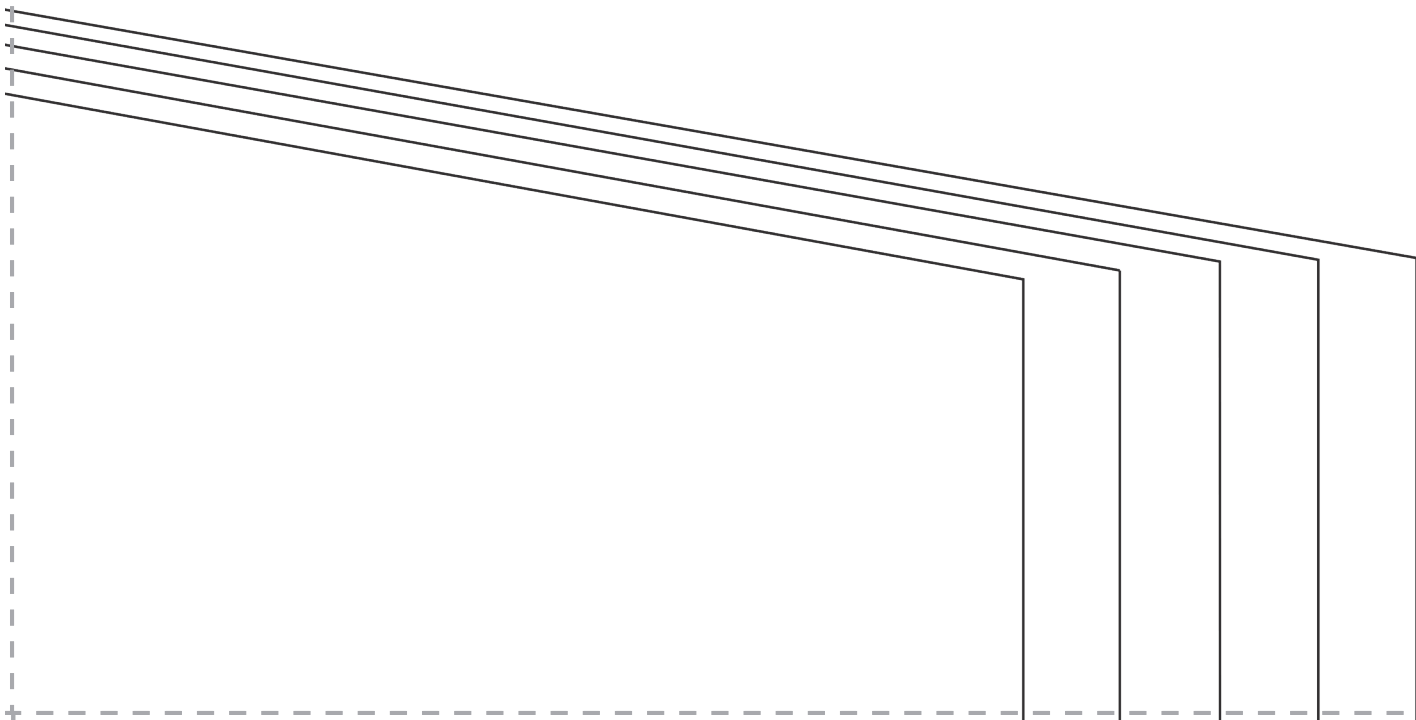
XS S M L XL



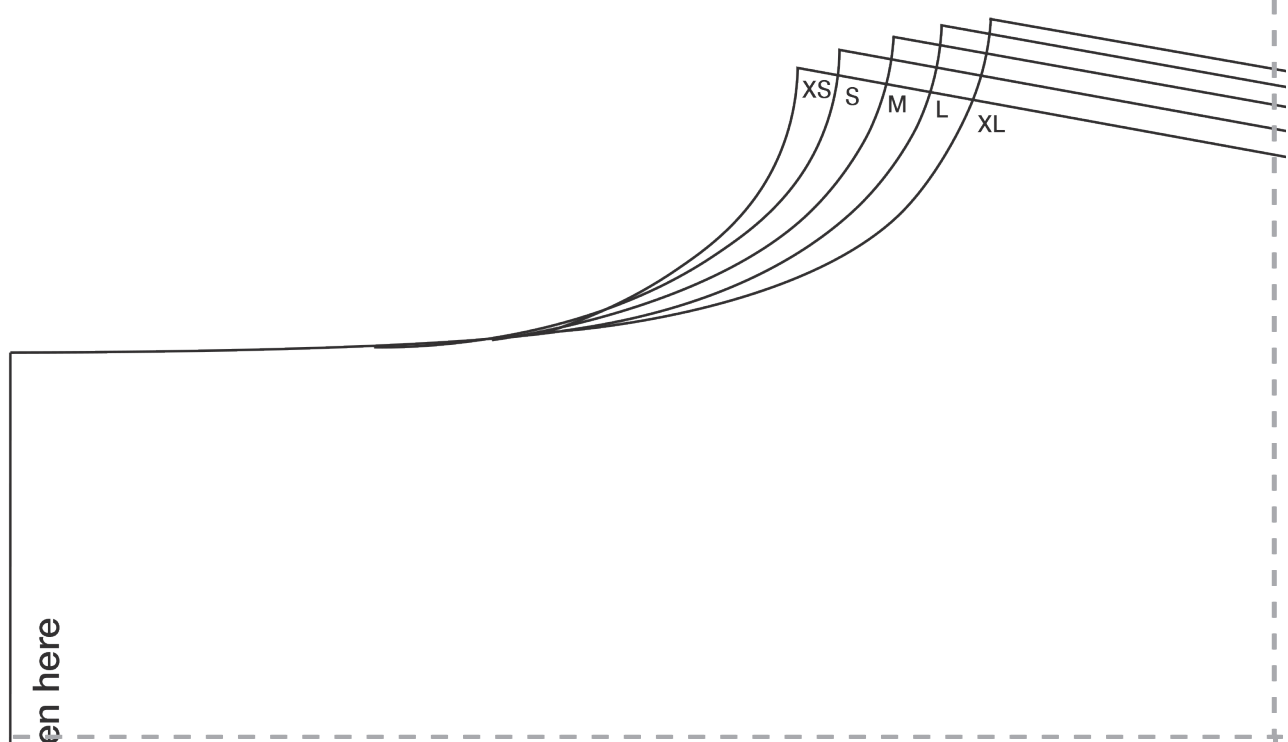
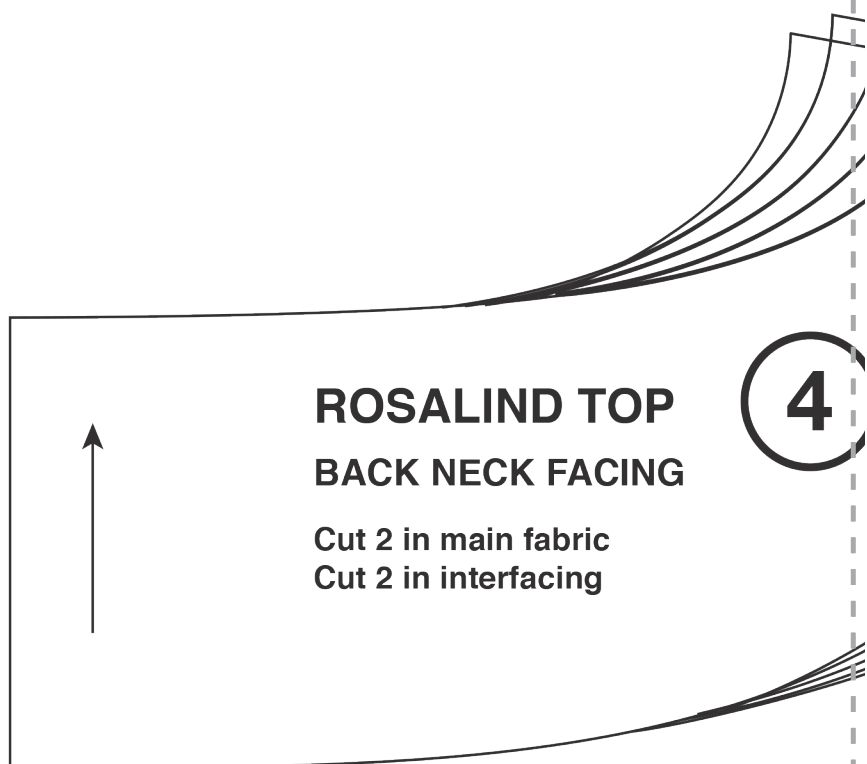
2



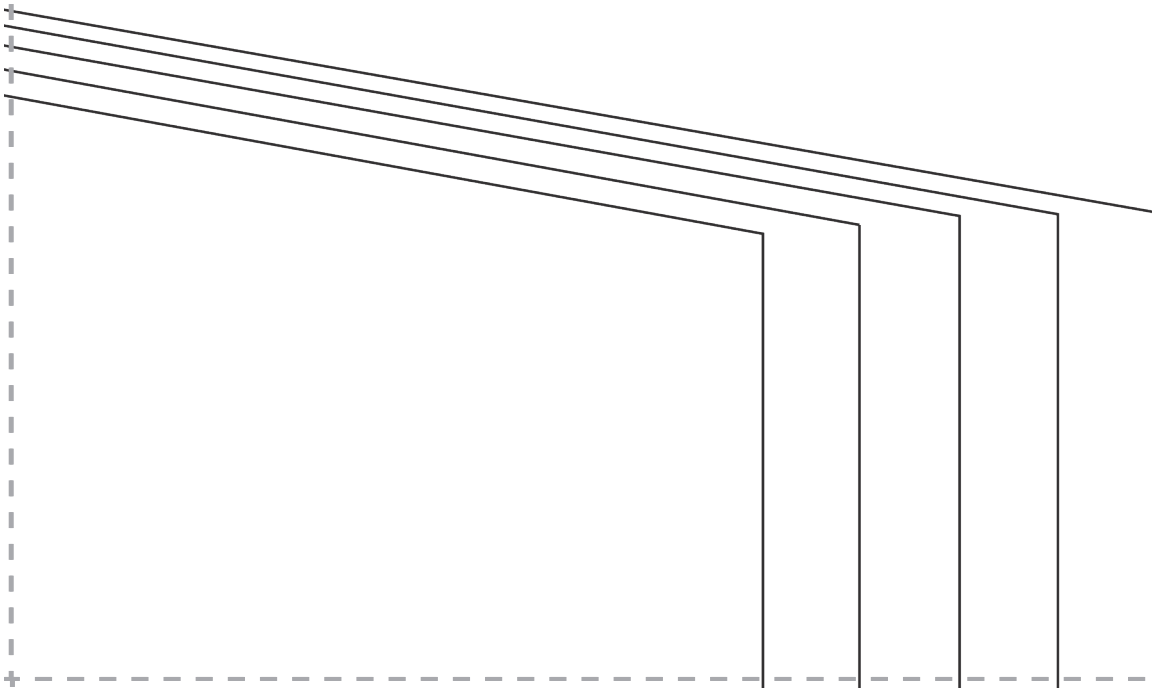
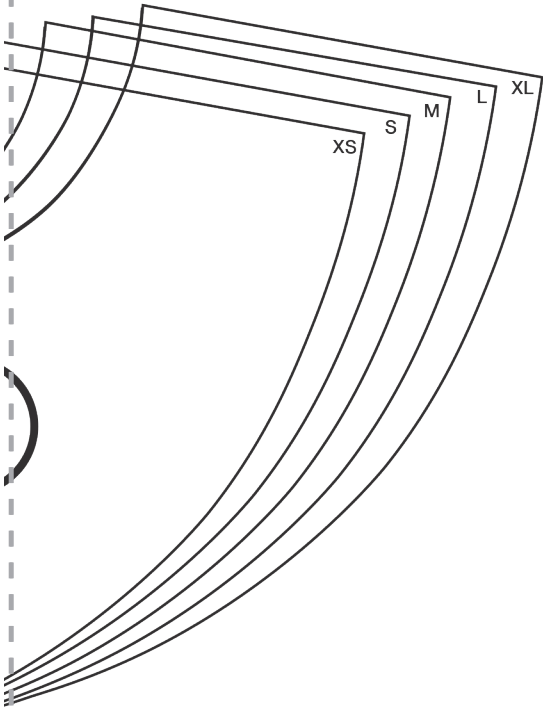
ROSALIND TOP
FRONT NECK FACING
Cut 2 in main fabric
Cut 2 in interfacing



3



4



5

pleat

Sew

ROSALIN

FRON

Cut 1 on

← **FOLD** →

COPYRIGHT FIONA HESFORD. ALL RIGHTS

6

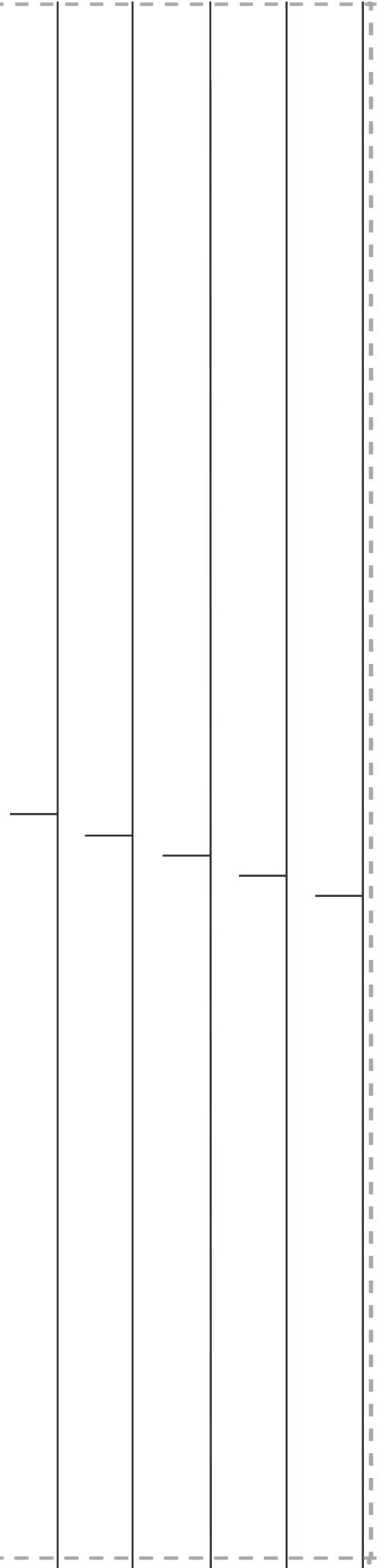
girl

CHILD TOP

NT



1 fold



leave seam open



CENTRE BACK SEAM



Sew

ROSALINE

BACK

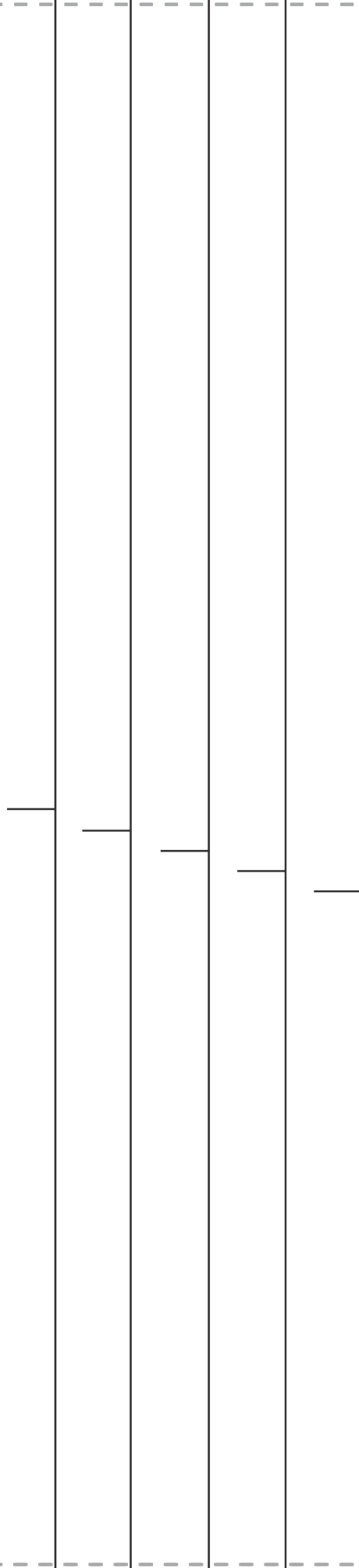
Cut 2

8

girl

TOP

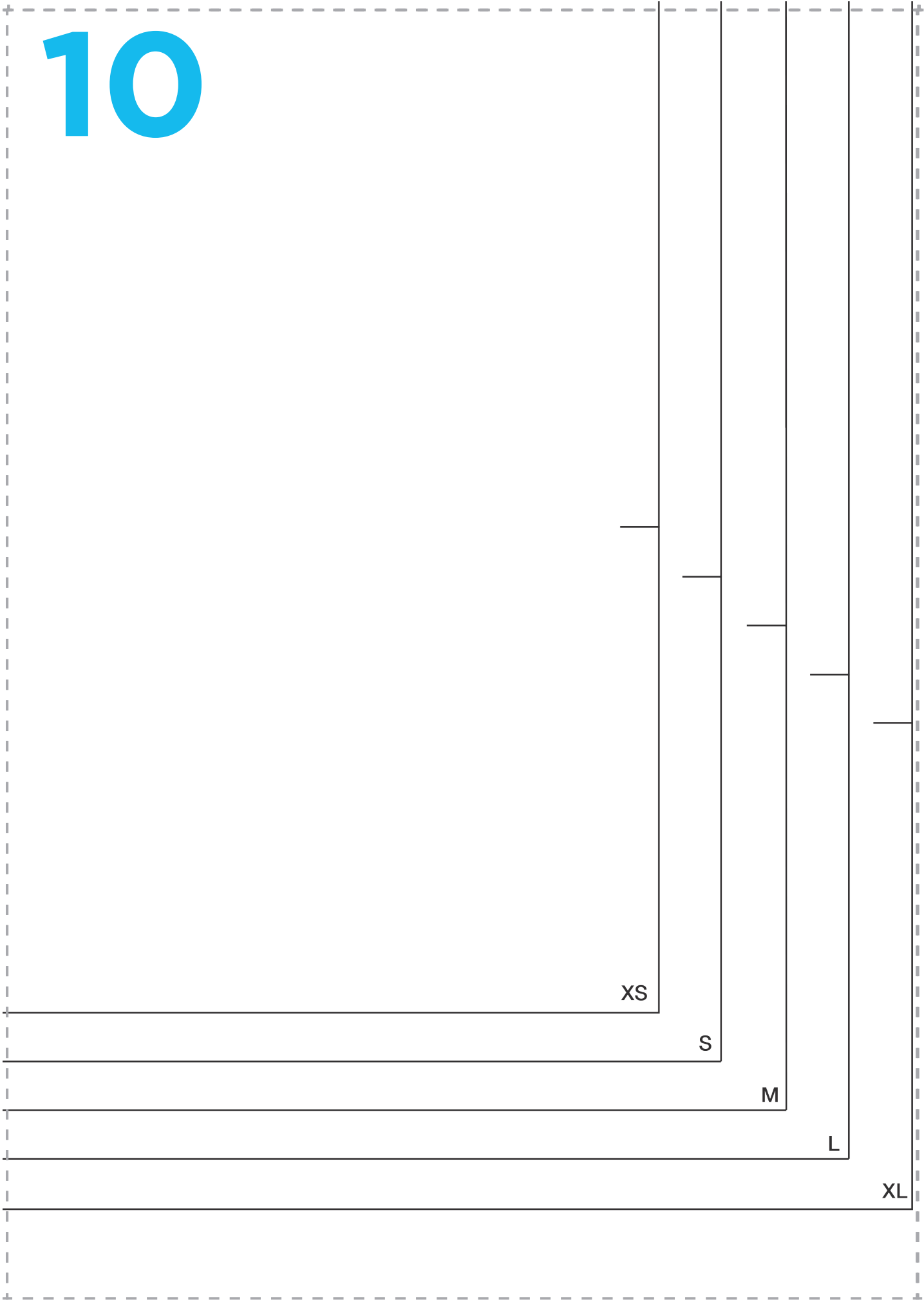
2



6

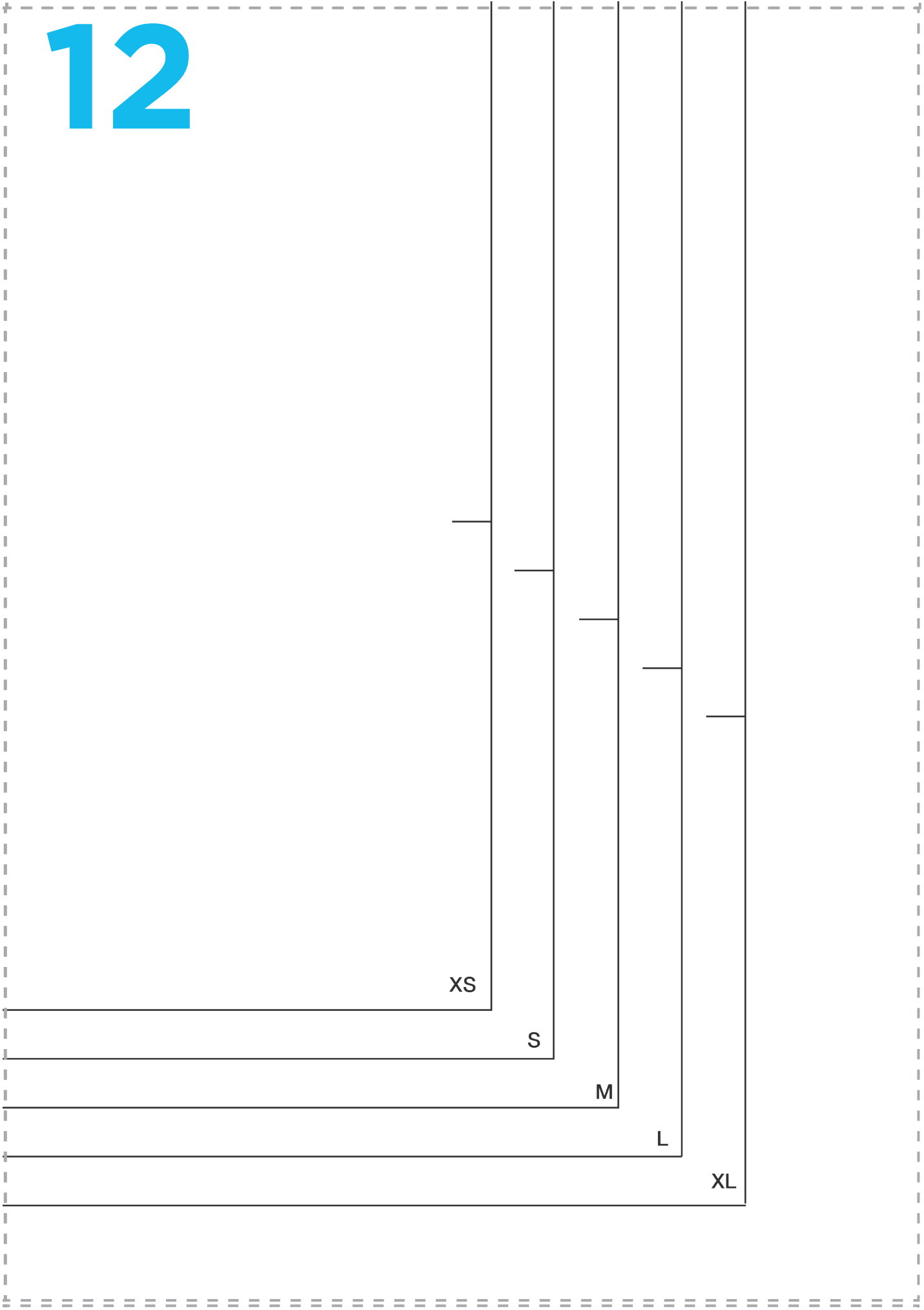
ALL RIGHTS RESERVED. NOT FOR COMMERCIAL USE

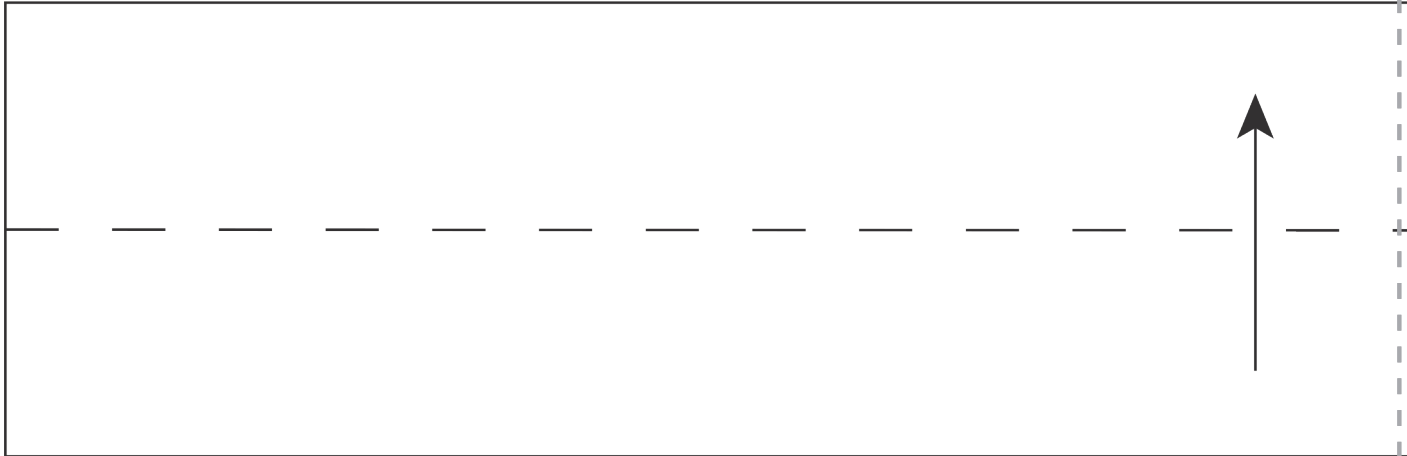
10



11

12





13

ROSALIND TOP

TIE
Cut 2

6

14



15

16

 **ROSALIND TOP** 
BUTTON LOOP
Cut 1 on diagonal grain
of fabric