

Template: Dress & Blouse Pattern

from *Martha Stewart Living* | www.marthastewart.com

Print this page first, to make sure your printer is set up correctly. The square below should measure 1" by 1" (2.54 cm by 2.54 cm) after printing. Then put your printed pages in order, according to row number, then column number (Row A/Column 1, Row A/Column 2,...Row A/Column 6, Row B/Column 1, etc.). Lay the printed pages out from left to right, top to bottom, overlapping each sheet and aligning the square hashtags. Adhere pages together with clear tape.



Row A, Column 1

Free 0147 Size:s-l Part:1 www.printsew.com

CUT HERE FOR DRESS LENGTH

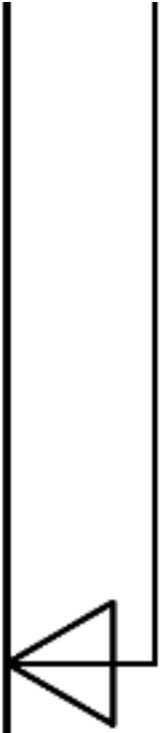


Row B, Column 1

Free 0147 Size:s-l Part:1 www.printsew.com

CUT HERE FOR SHIRT LENGTH

CENTER FOLD



ADING BY SIMPLICITY PATTERN CO. INC

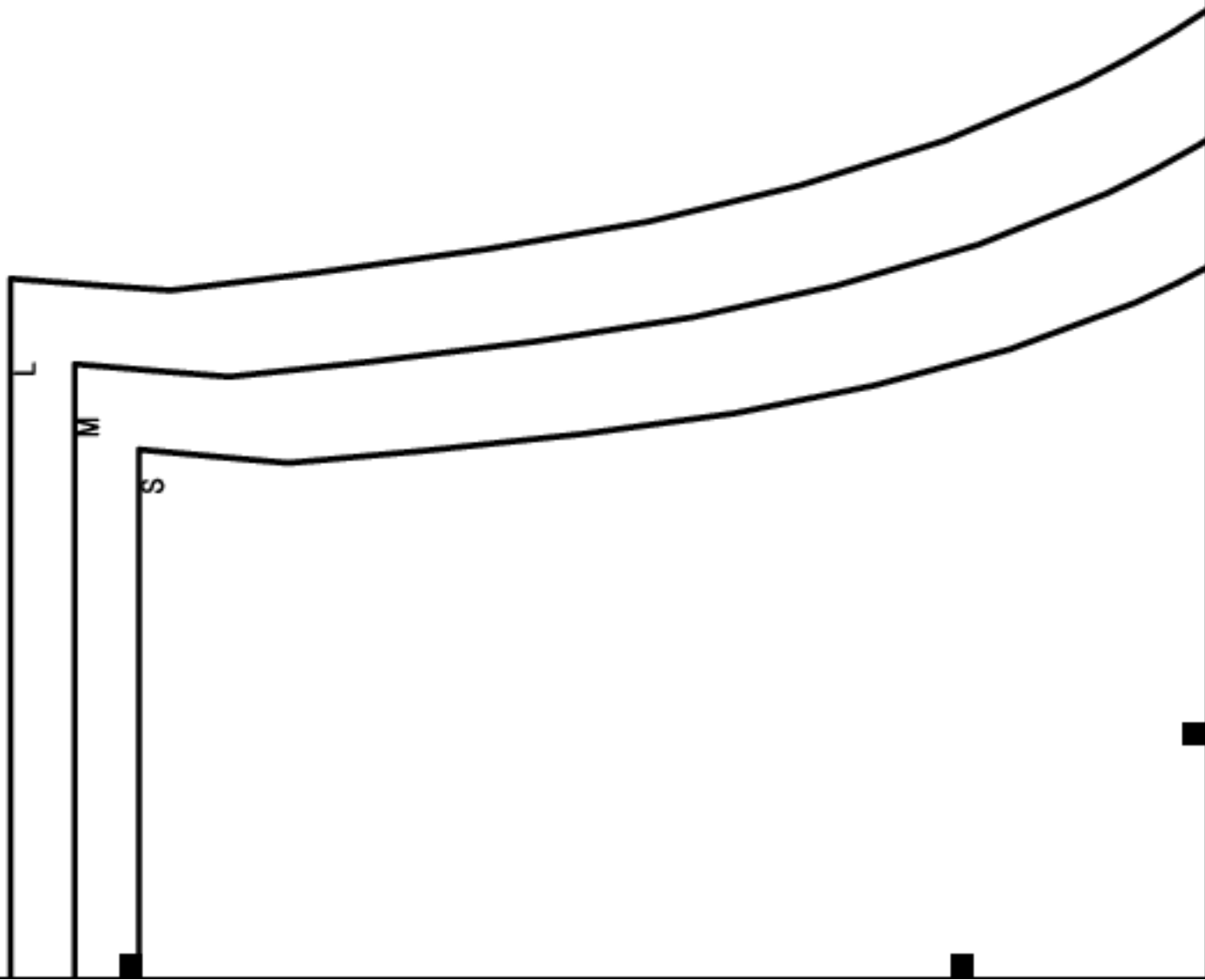
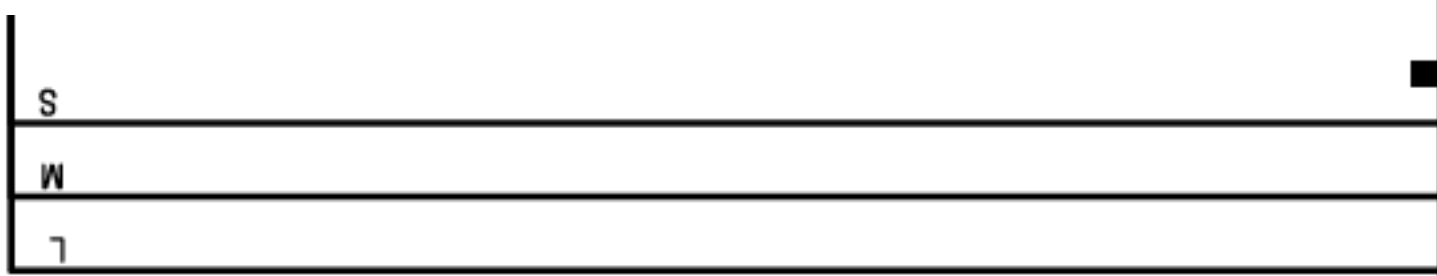
CUT 1 ON FOLD

FRONT



Row D, Column 1

Free 0147 Size:s-l Part:1 www.printsew.com



Row E, Column 1

Free 0147 Size:s-l Part:1 www.printsew.com

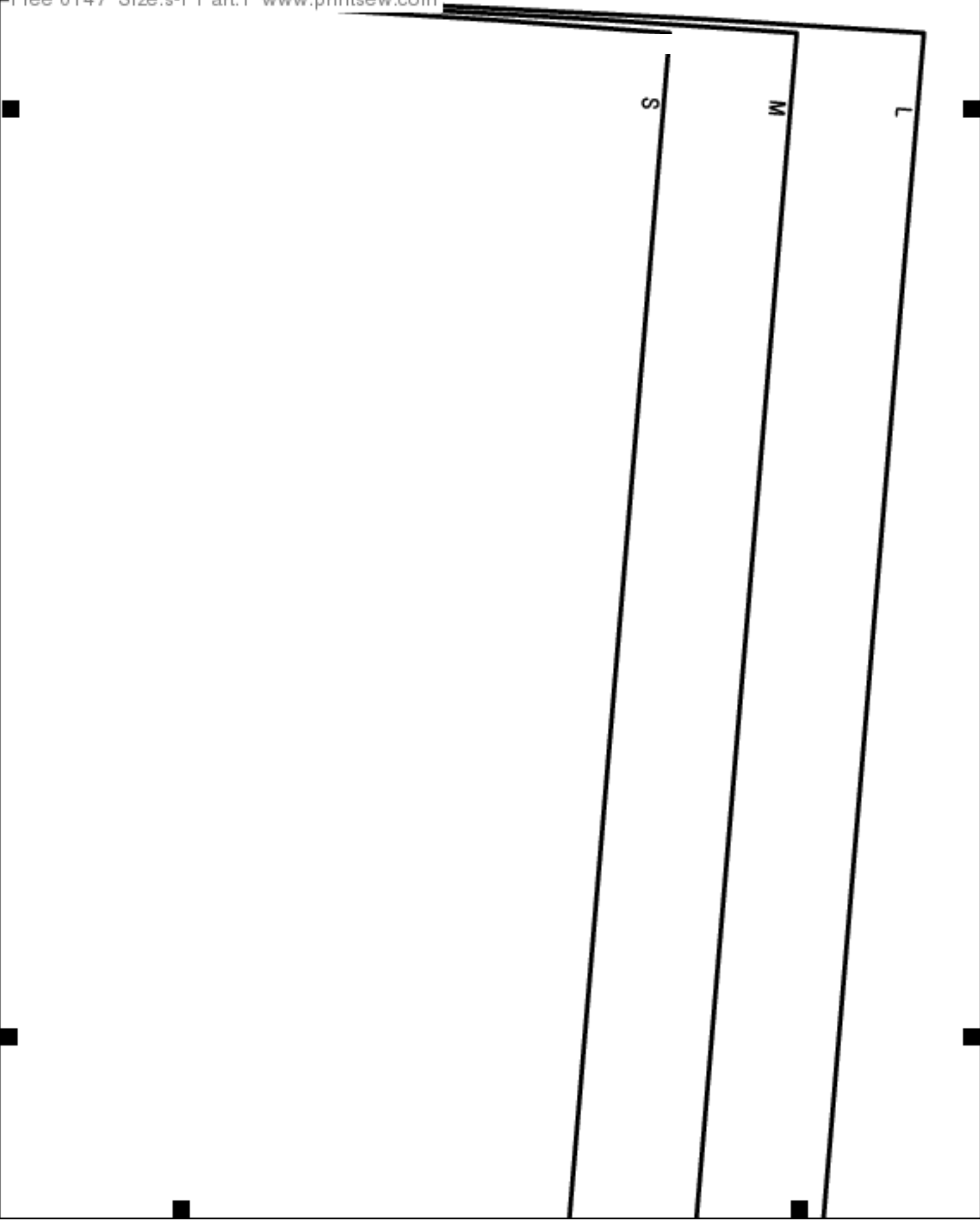
L

M

S

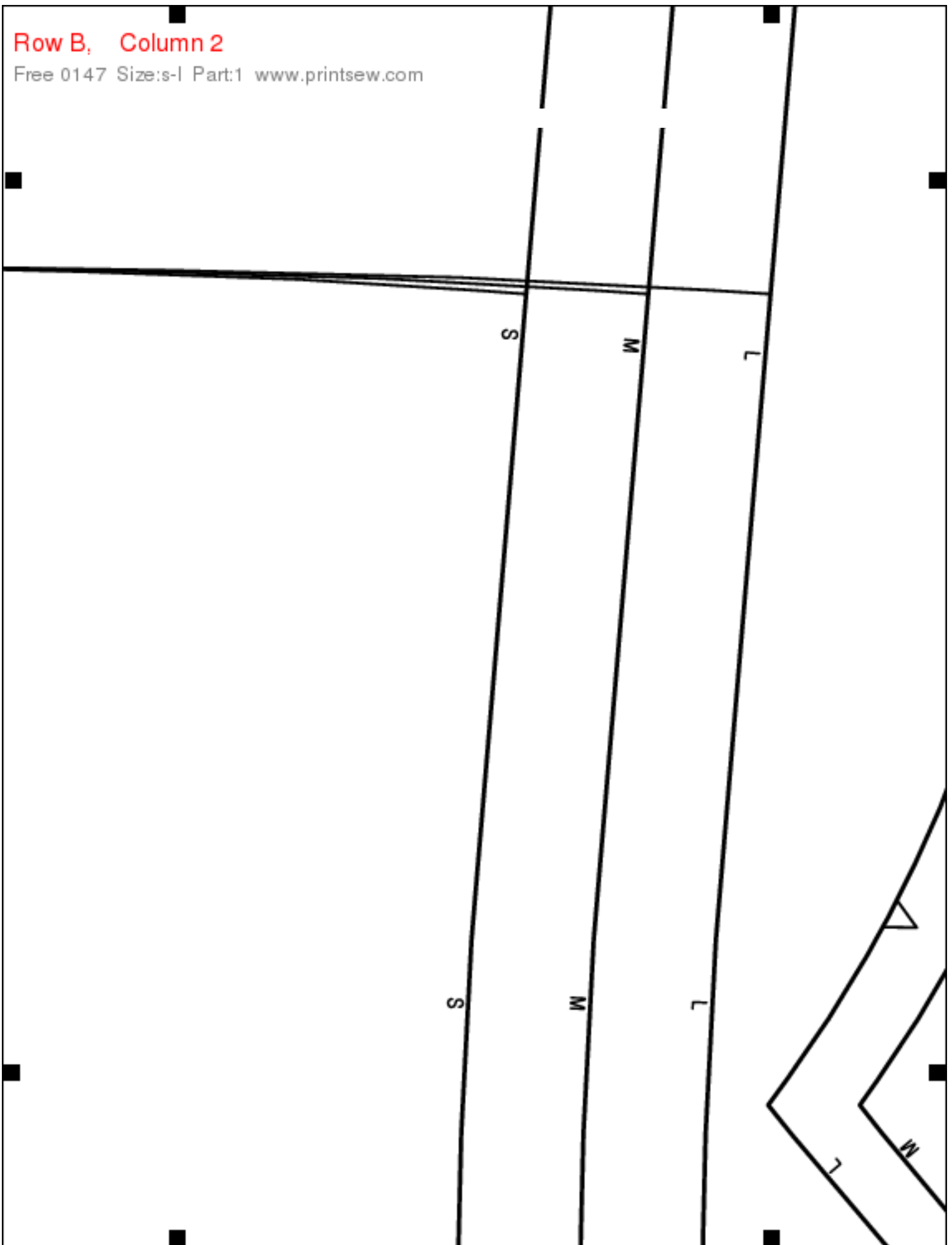
Row A, Column 2

Free 0147 Size:s-l Part:1 www.printsew.com



Row B, Column 2

Free 0147 Size:s-l Part:1 www.printsew.com



Row C, Column 2

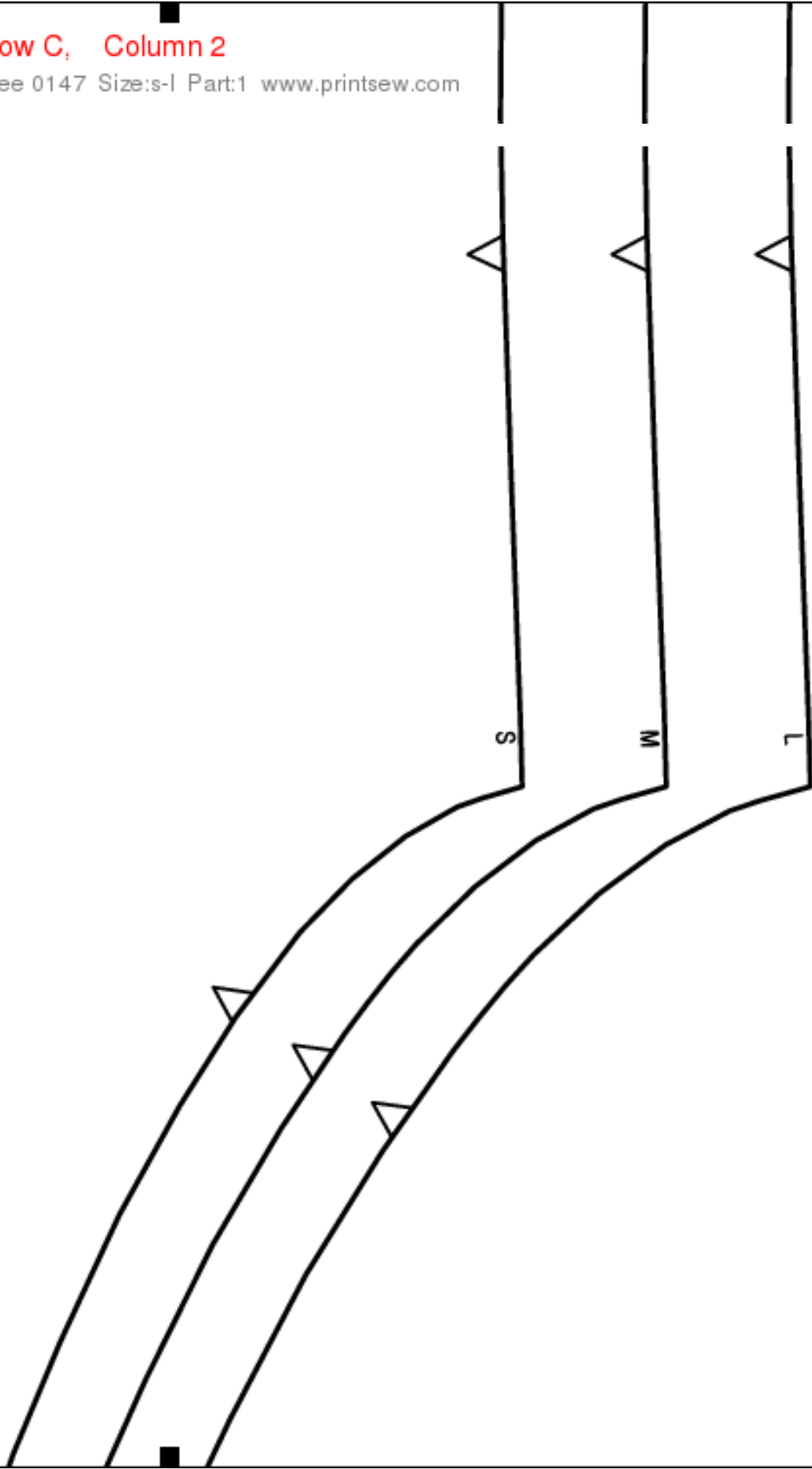
Free 0147 Size:s-l Part:1 www.printsew.com

GR

S

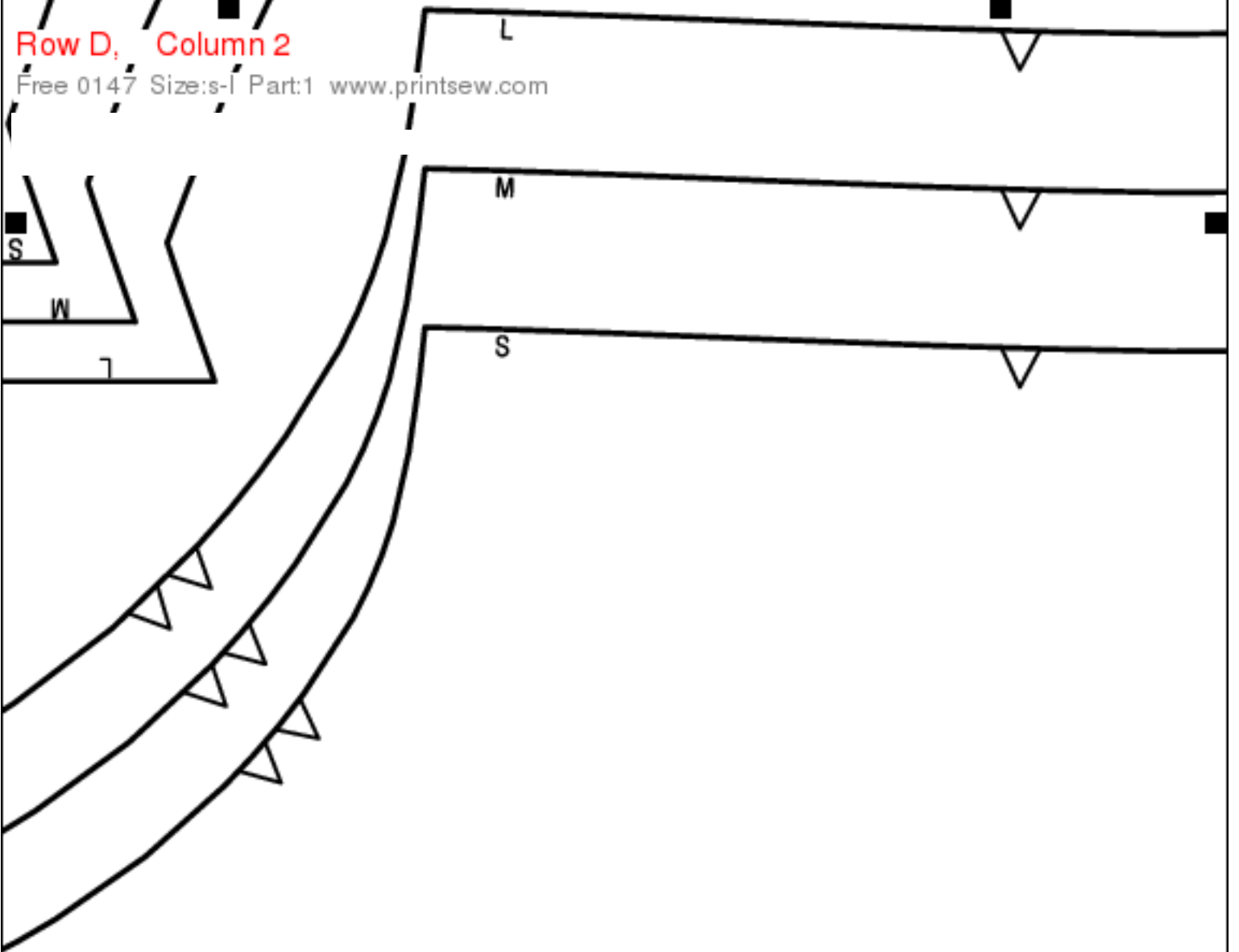
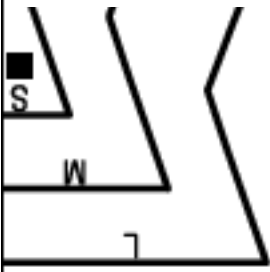
M

L



Row D, Column 2

Free 0147 Size:s-l Part:1 www.printsew.com



2

BACK

CUT 1 ON FOLD

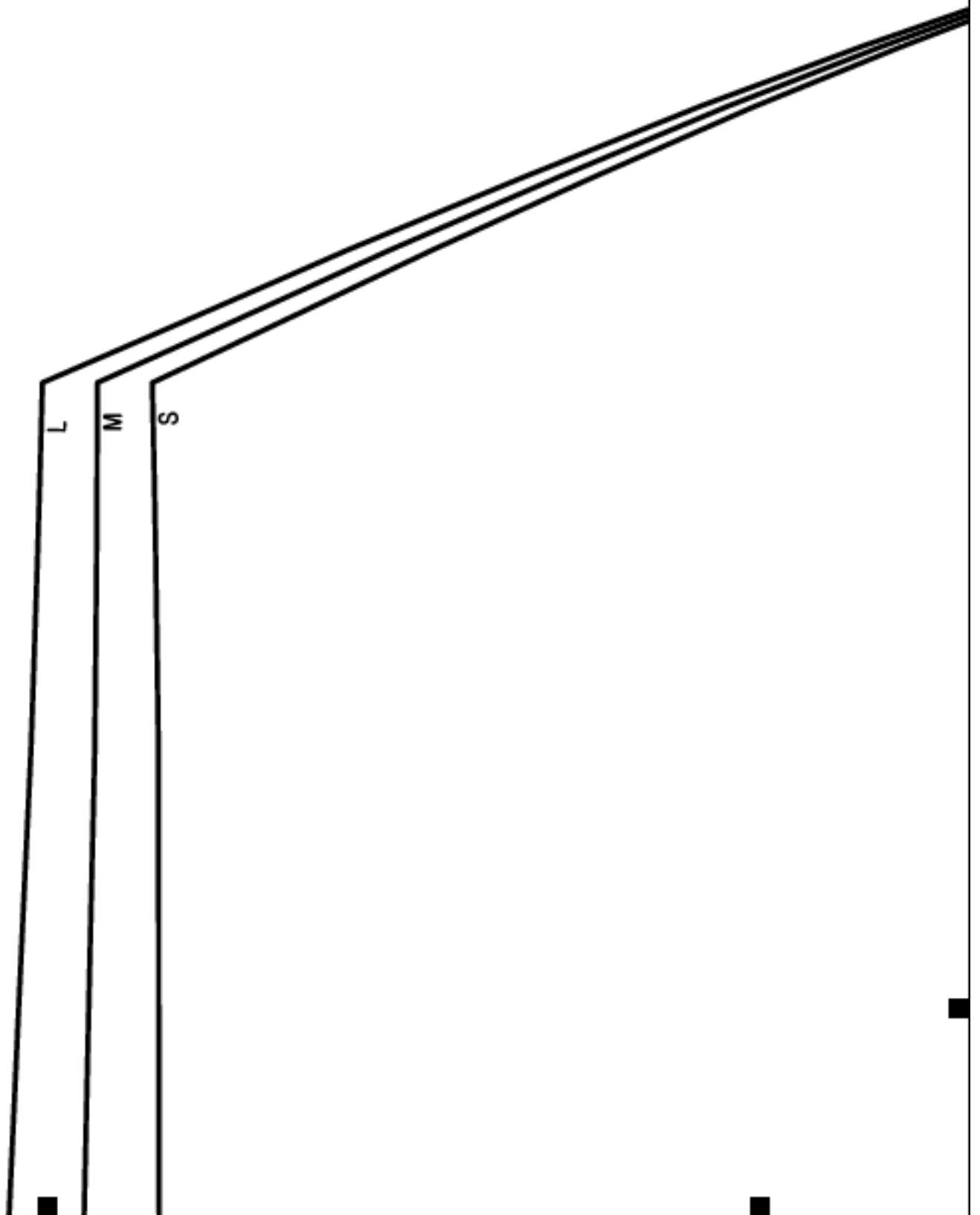
Row E, Column 2

Free 0147 Size:s-l Part:1 www.printsew.com



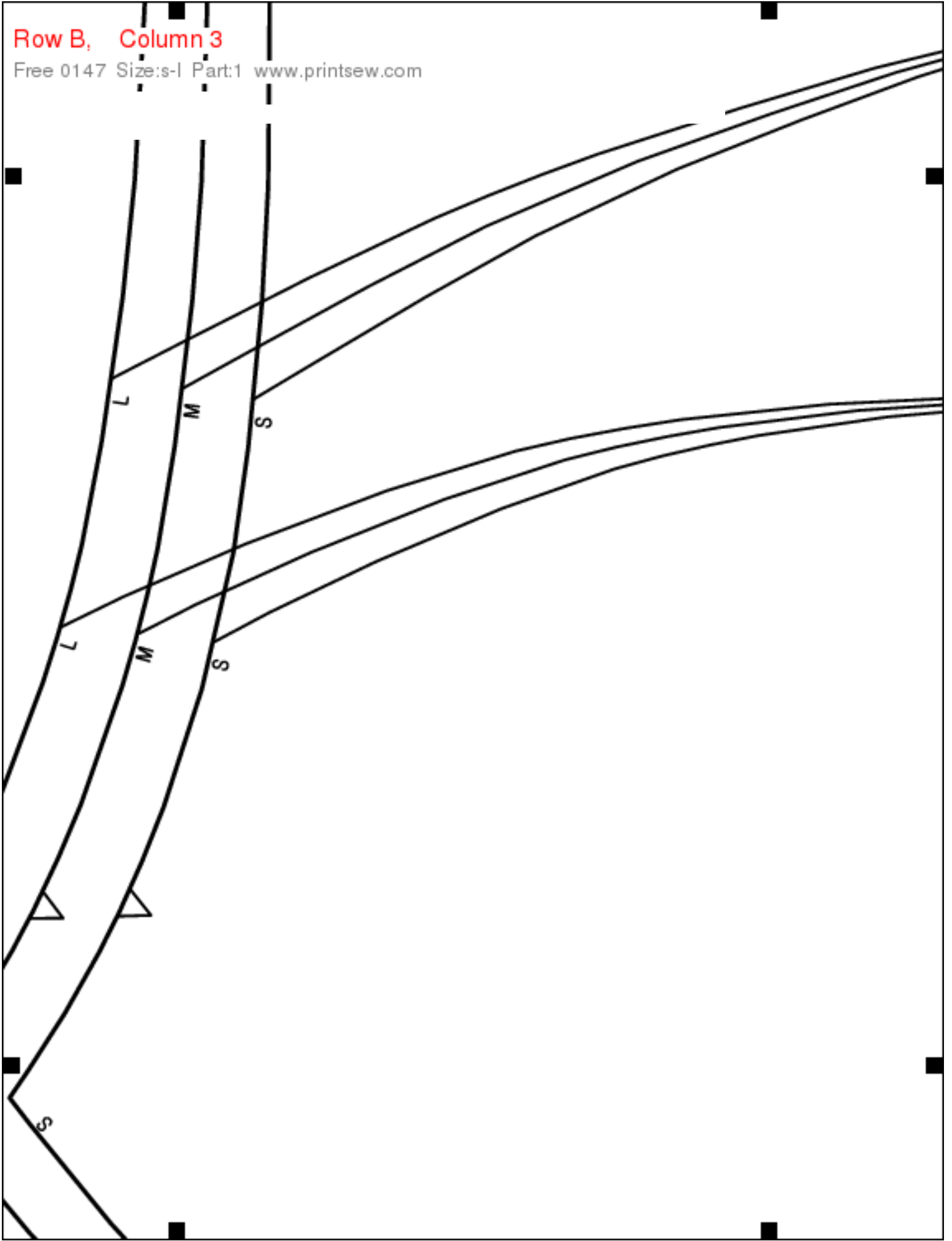
Row A, Column 3

Free 0147 Size:s-l Part:1 www.printsew.com



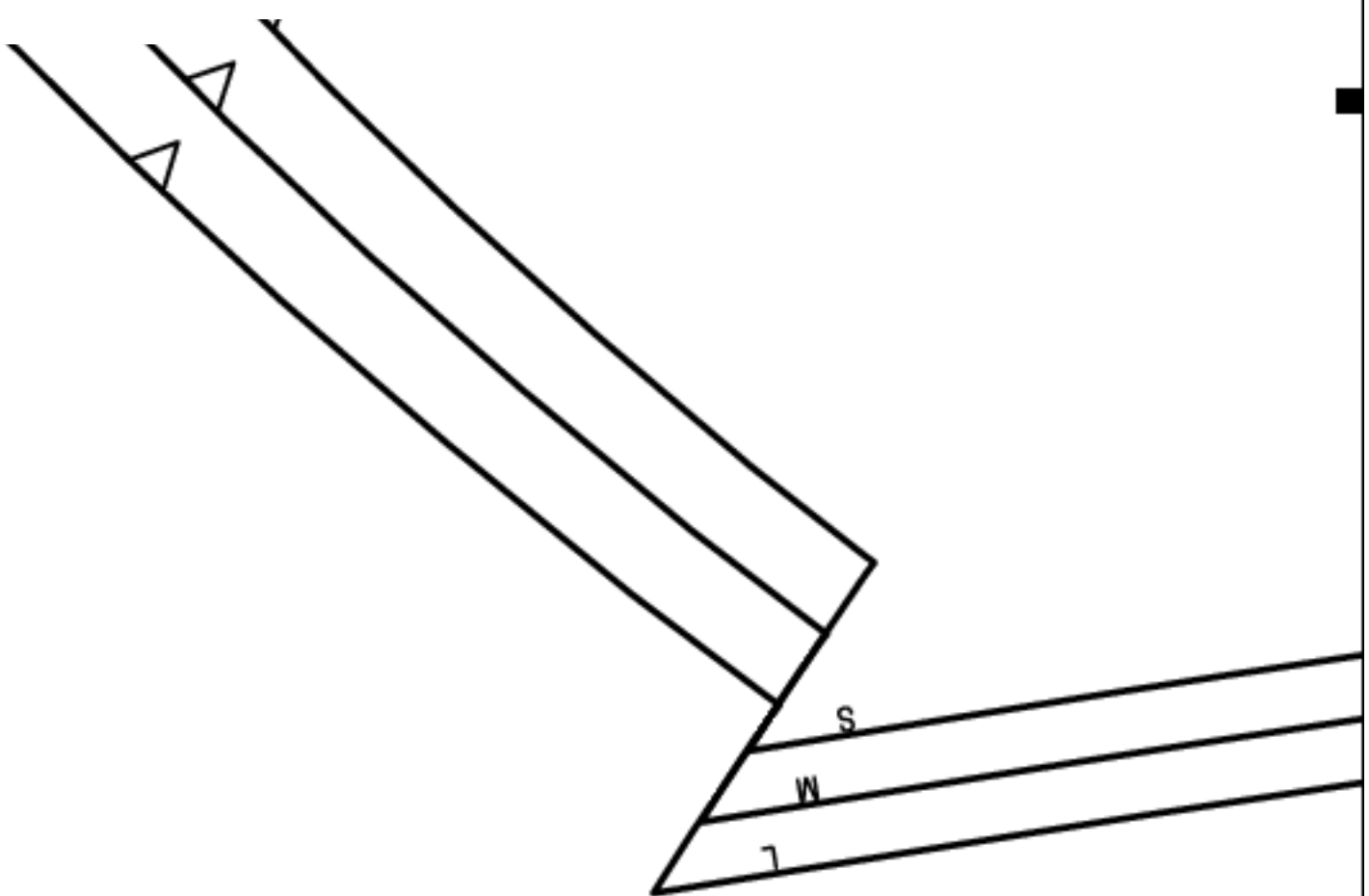
Row B, Column 3

Free 0147 Size:s-l Part:1 www.printsew.com



Row C, Column 3

Free 0147 Size:s-l Part:1 www.printsew.com



Row D, Column 3

L

Free 0147 Size:s-l Part:1 www.printsew.com

M

S

Row E, Column 3

Free 0147 Size:s-l Part:1 www.printsew.com

CENTER FOLD

Row A, Column 4

Free 0147 Size:s-l Part:1 www.printsew.com

CUT HERE FOR LONG SLEEVE

CUT HERE FOR M/DI SLEEVE



Row B, Column 4

Free 0147 Size:s-l Part:1 www.printsew.com

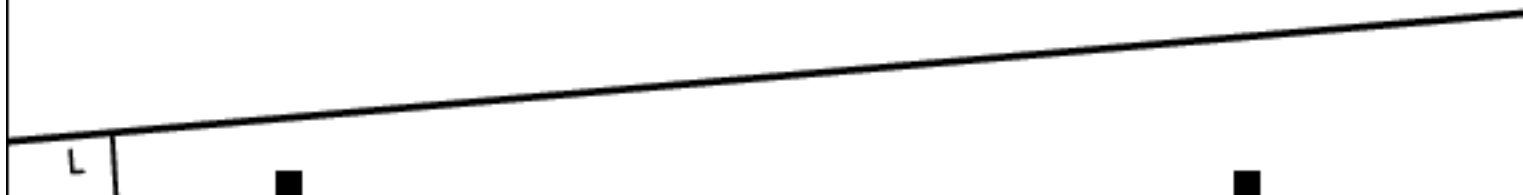
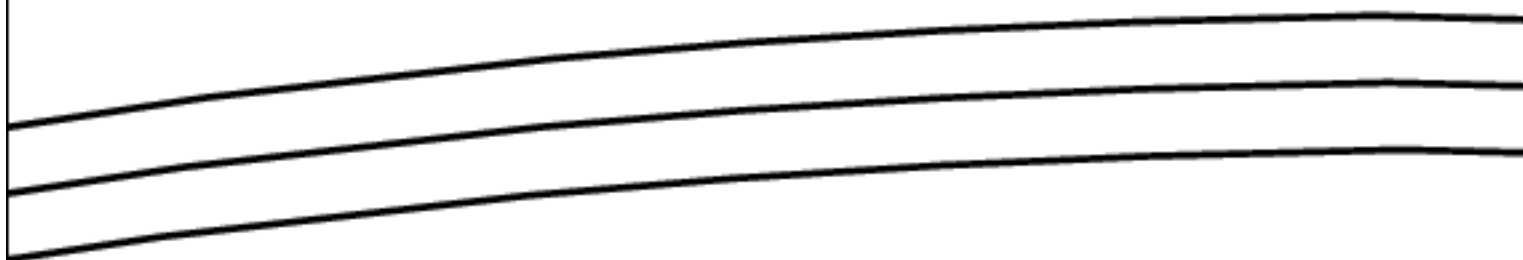
CUT HERE FOR SHORT SLEEVE

CUT 2
SLEEVE
3



Row C, Column 4

Free 0147 Size:s-l Part:1 www.printsew.com



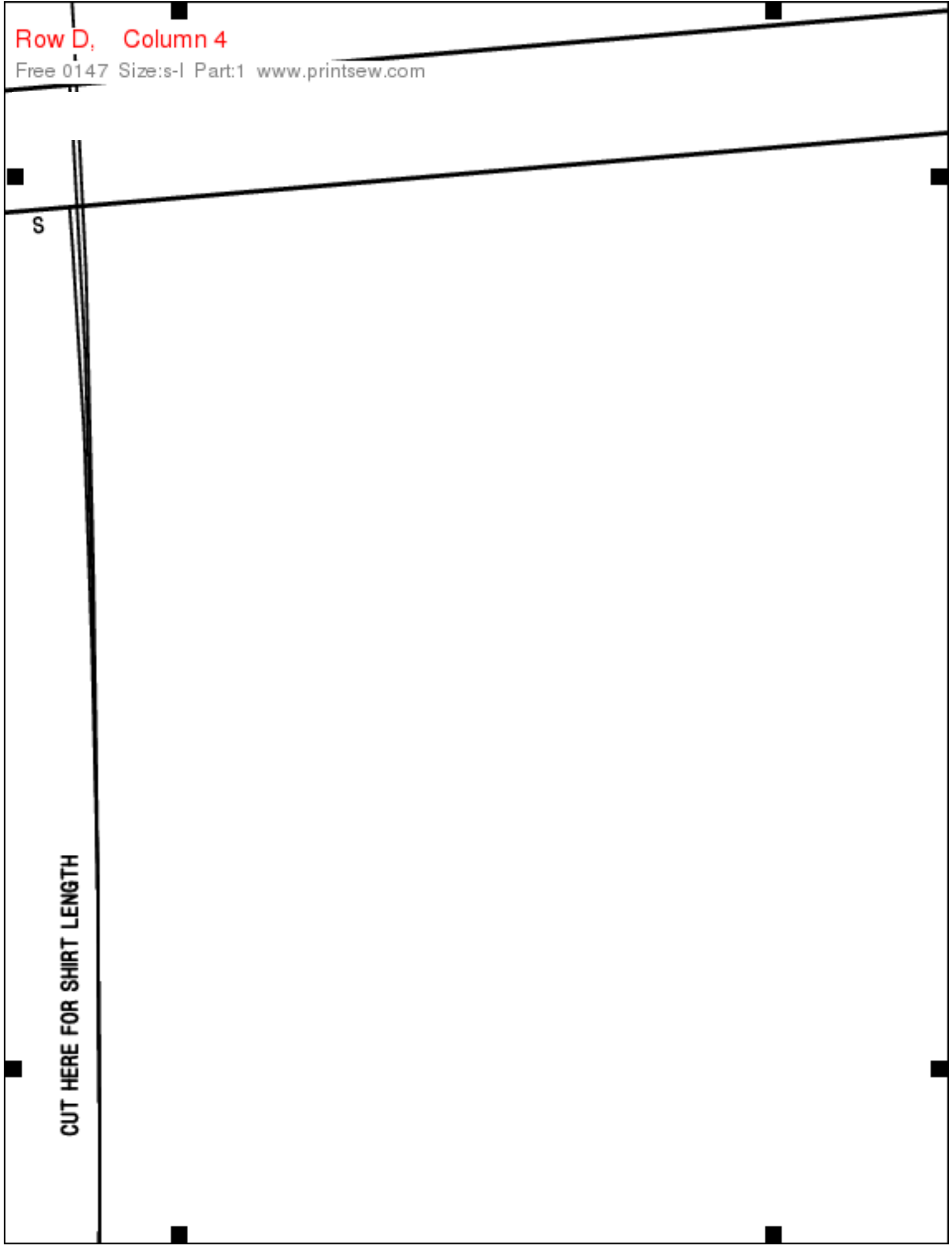
L

Row D, Column 4

Free 0147 Size:s-l Part:1 www.printsew.com

S

CUT HERE FOR SHIRT LENGTH



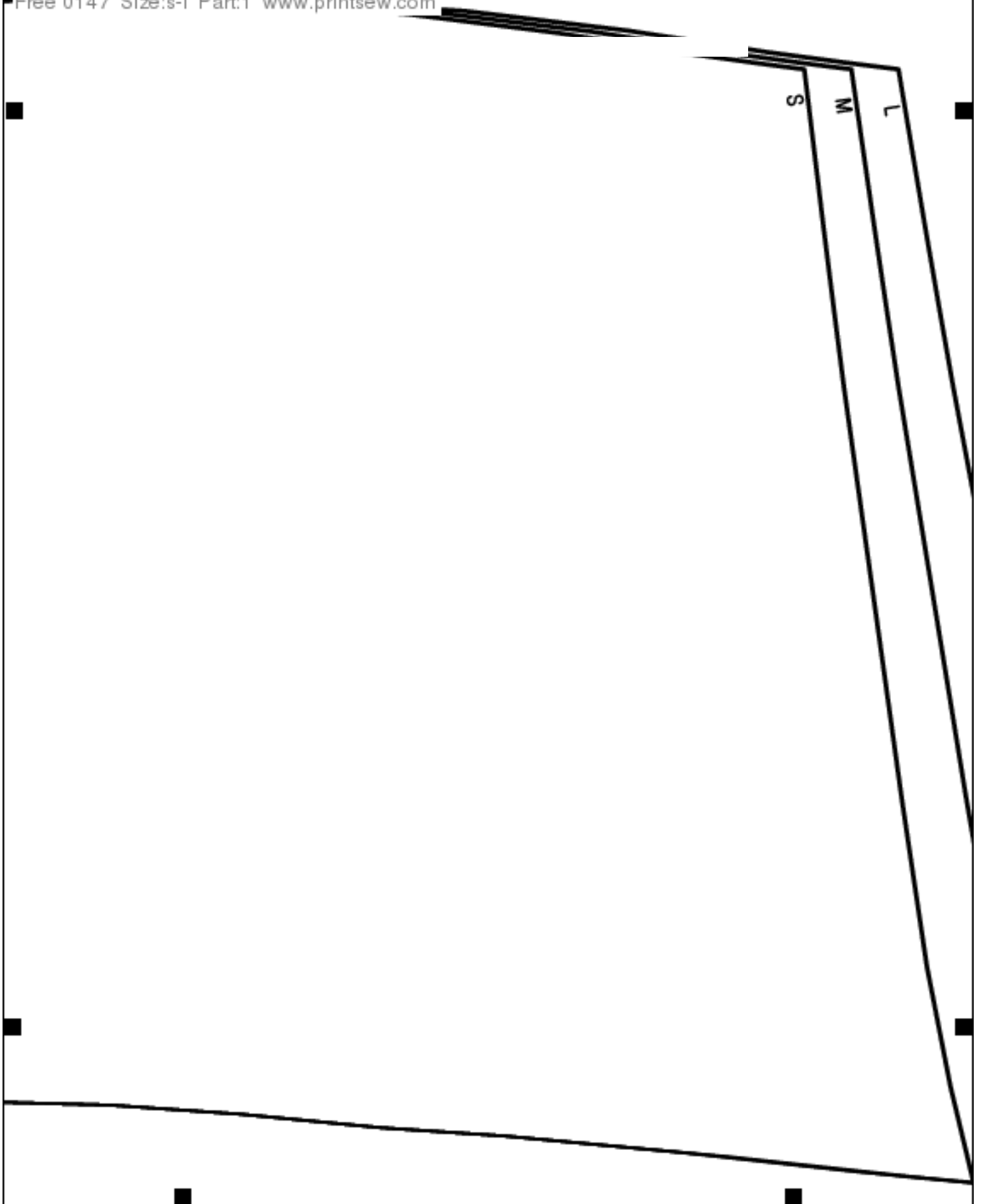
Row E, Column 4

Free 0147 Size:s-l Part:1 www.printsew.com



Row A, Column 5

Free 0147 Size:s-l Part:1 www.printsew.com



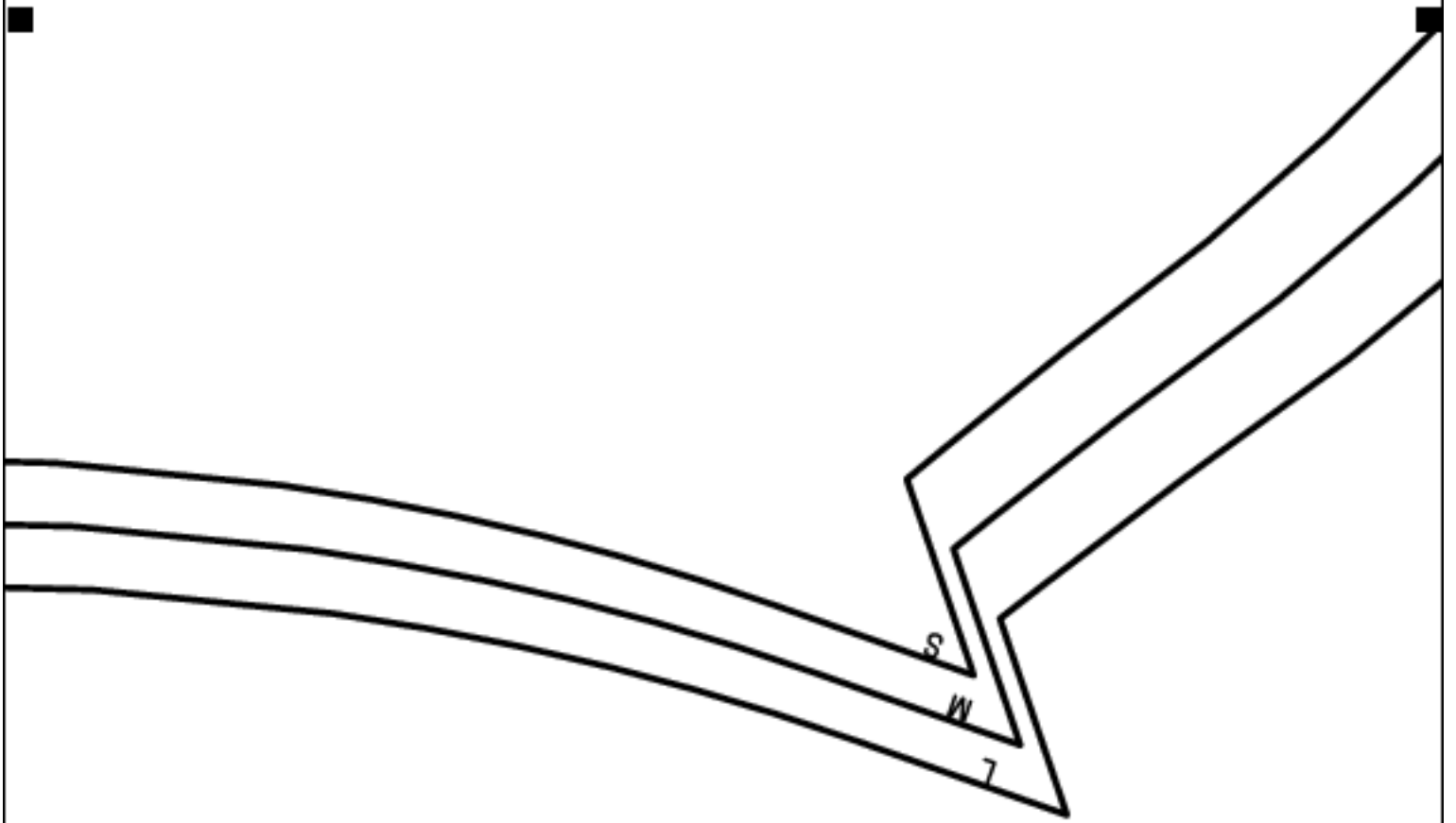
Row B, Column 5

Free 0147 Size:s-l Part:1 www.printsew.com



Row C, Column 5

Free 0147 Size:s-l Part:1 www.printsew.com



Row D, Column 5

Free 0147 Size:s-l Part:1 www.printsew.com

CUT HERE FOR DRESS LENGTH

Row E, Column 5

Free 0147 Size:s-l Part:1 www.printsew.com

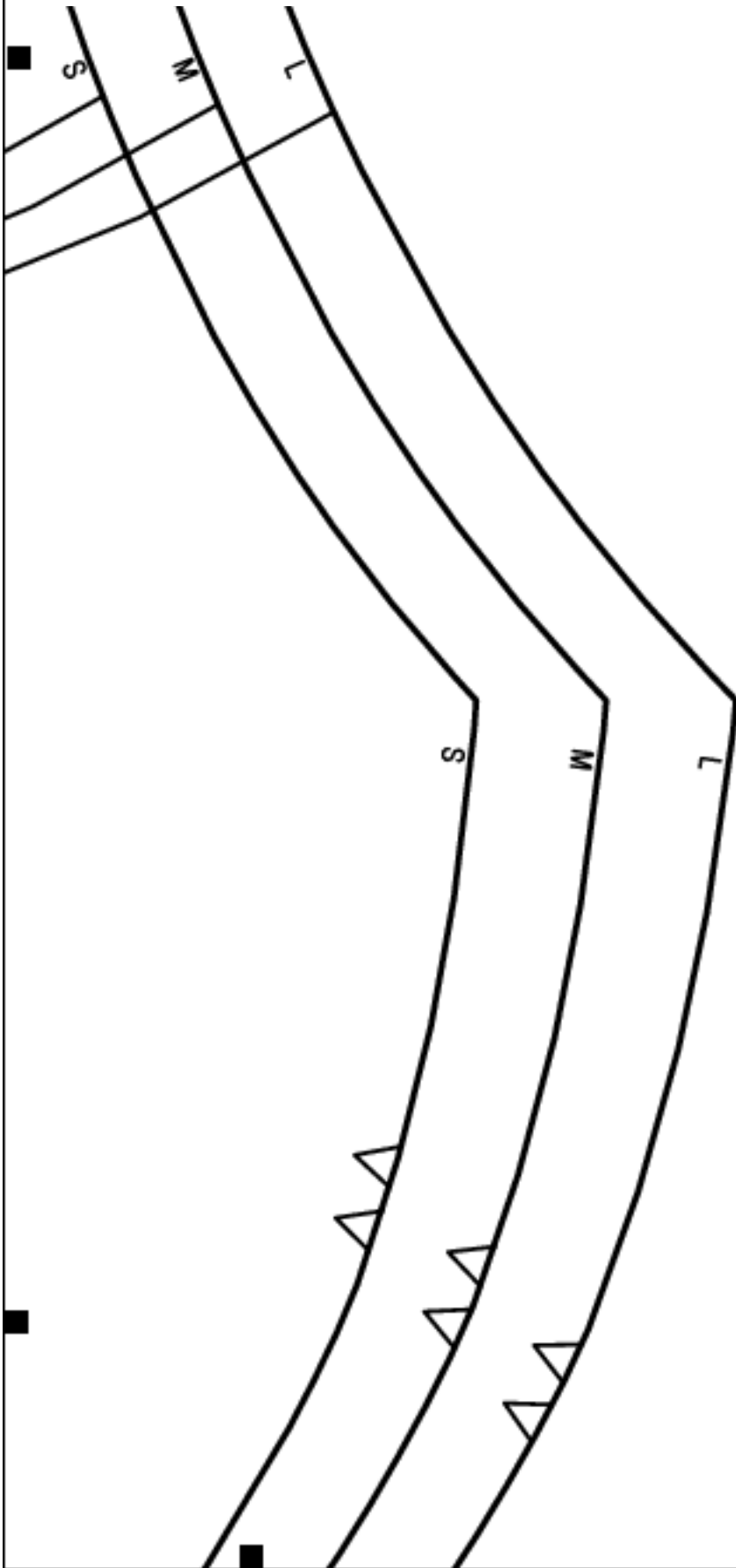
Row A, Column 6

Free 0147 Size:s-l Part:1 www.printsew.com



Row B, Column 6

Free 0147 Size:s-l Part:1 www.printsew.com



Row C, Column 6

Free 0147 Size:s-l Part:1 www.printsew.com

